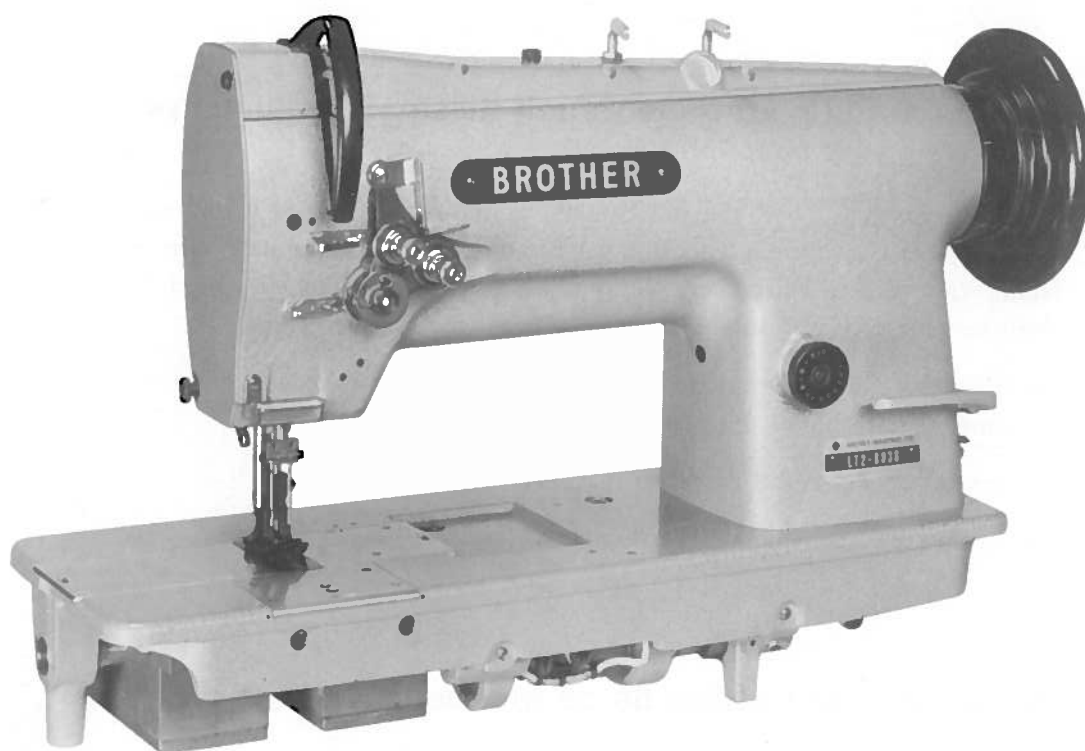


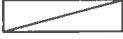
PARTS BOOK
FOR
BROTHER LT2-B838



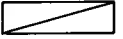
Twin Needle Lock Stitch Unison Feed Sewing Machine

BROTHER INDUSTRIES, LTD.
NAGOYA, JAPAN

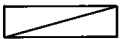
Notes for using this parts book

1. The symbol  in the "Parts No." column indicates that the Parts is not available for supply. If, however, there is a number in the "Assembly No." column, the parts can be ordered as an assembly. Please, therefore, order by using the Assembly No.
2. If the * symbol is found before the Parts No., order this parts together with its paired parts.
3. This book was prepared based on information available in December, 1979.
4. Parts are subject to changes in design without prior notice.

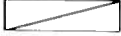
Anmerkungen zum Gebrauch dieses Stücklistebuches

1. Dieses Zeichen  in der Spalte "Teilnummer" bedeutet, daß dieser Teil nicht lieferbar ist. Wenn jedoch in der Spalte "Gerätesatznummer" eine Nummer steht, kann dieser Teil als ein Geräteteilsatz bestellt werden. Bestellen Sie daher bitte mit dieser Gerätesatznummer.
2. Bei diesem Zeichen * vor der Teilnummer bestellen Sie bitte diesen Teil paarweise, zusammen mit seinem Gegenstück.
3. Dieses Buch basiert auf den Informationen vom Dezember, 1979.
4. Modelländerungen sind vorbehalten.

Notes sur l'utilisation de ce manuel de pièces détachées

1. Le symbole  dans la colonne "N° de pièce" signifie que la pièce ne peut être fournie. Si, dans la colonne "N° jeu de pces", il y a un numéro de nomenclature, la pièce peut être commandée comme faisant partie d'un jeu de pièces. Donc, pour toute commande, veuillez spécifier le n° du jeu de pièces.
2. Si, devant le n° de pièce, il y a le symbole *, veuillez commander cette pièce avec sa pièce appariée.
3. Ce manuel a été fait d'après les renseignements valables au mois de Décembre, 1979.
4. Les pièces peuvent être sujettes à des modifications sans préavis.

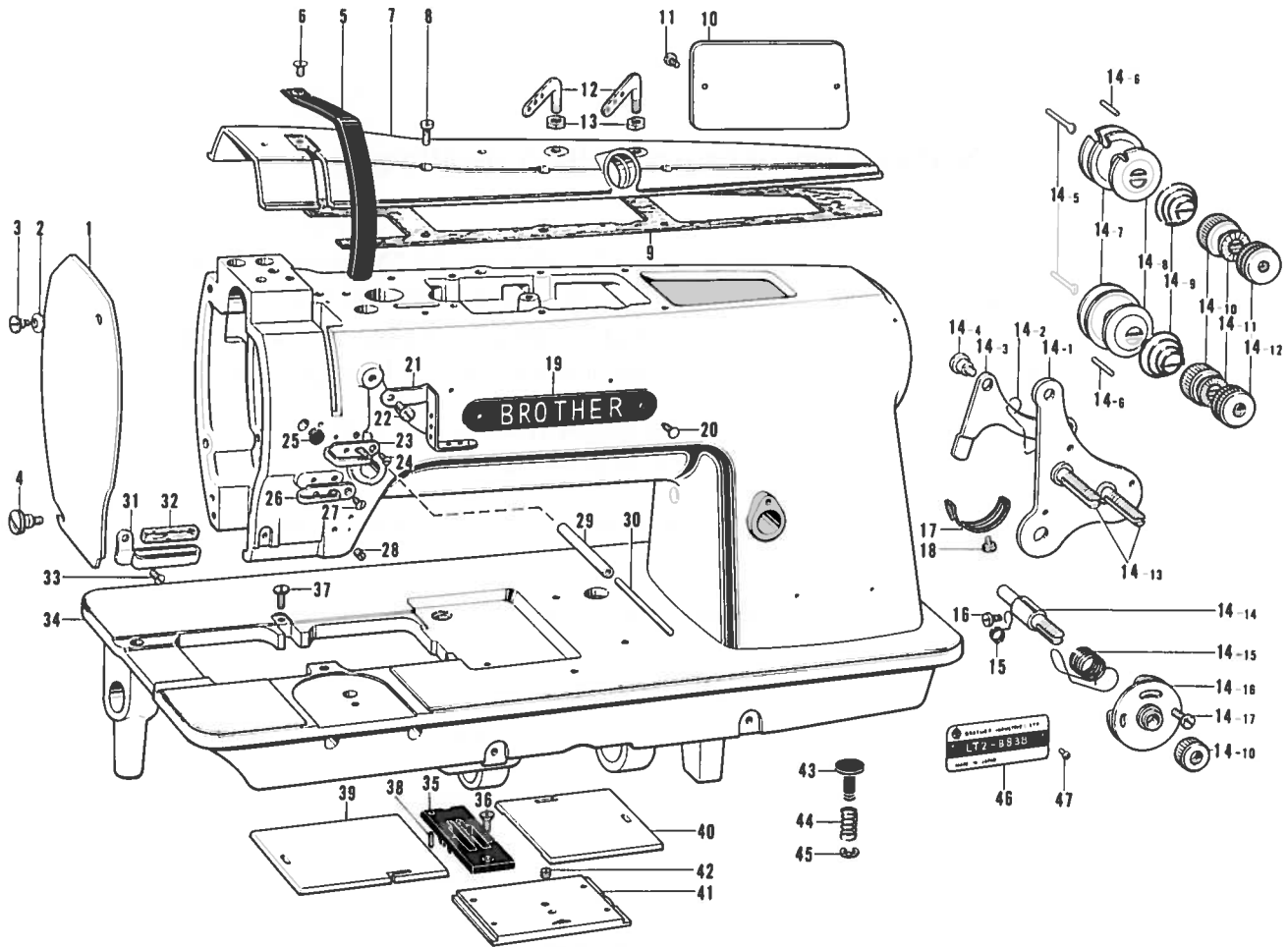
Notas para usar este Libro de Piezas

1. El símbolo , que se encuentra en la columna del "Número de Pieza", quiere decir que no se dispone de dicha pieza sola. Cuando, empero, hay un número en la columna del "Número de Juego", se podrá ordenar la pieza con todo el juego. Por lo tanto, será mejor hacer el pedido recurriendo al número del juego respectivo.
2. Si, antes del número de una pieza, se encuentra el símbolo, * habrá que ordenar dicha pieza junto con la otra con la que va la misma.
3. Este libro ha sido compilado basándose en los datos de que se disponía en diciembre, de 1979.
4. Las piezas quedan sujetas a cambios de diseño sin aviso previo.

CONTENTS

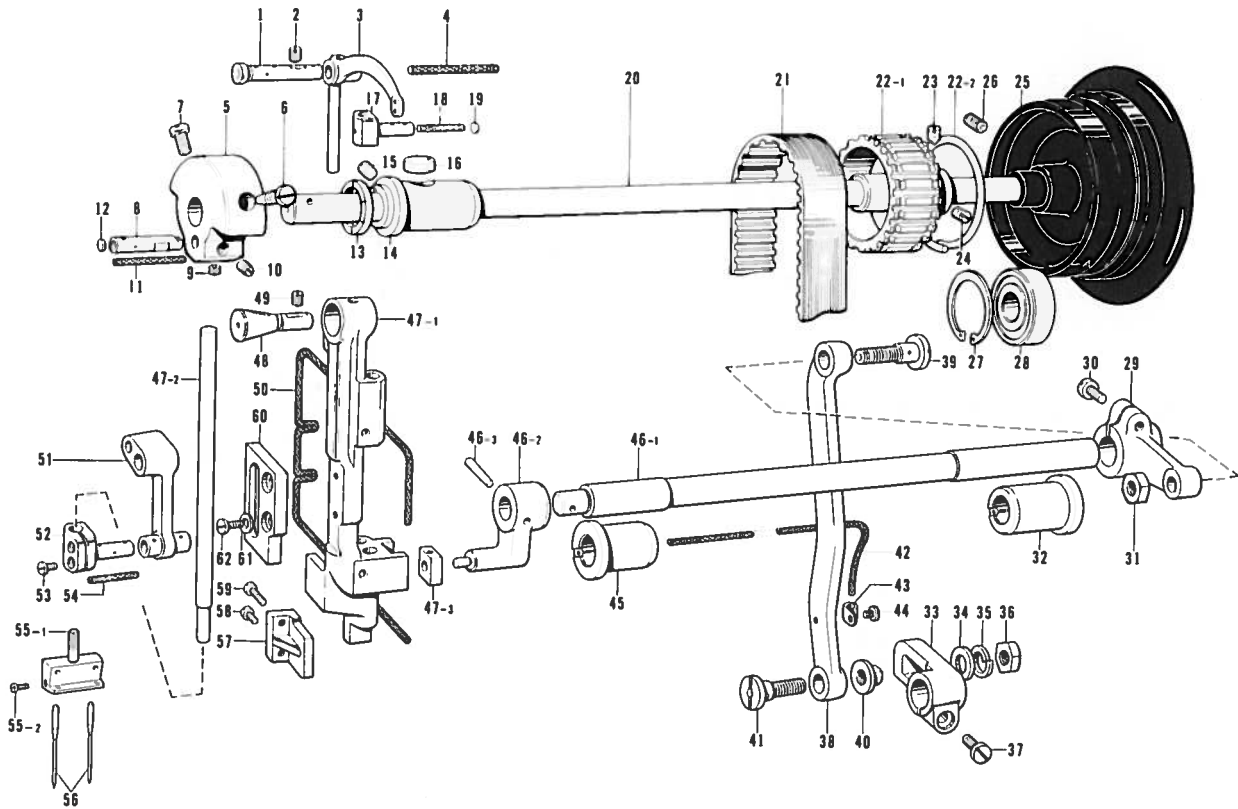
A. Machine Body and Threading	1
B. Upper Shaft, Needle Bar and Rocking Mechanism	2
C. Upper Feed Mechanism	3
D. Presser Foot Mechanism	4
E. Feed Mechanism	5
F. Lower Shaft, Rotary Hook Mechanism	6
G. Lubrication	7
Z. Accessories	8
Gauge Parts	9
INDEX	11

A. Machine Body and Threading



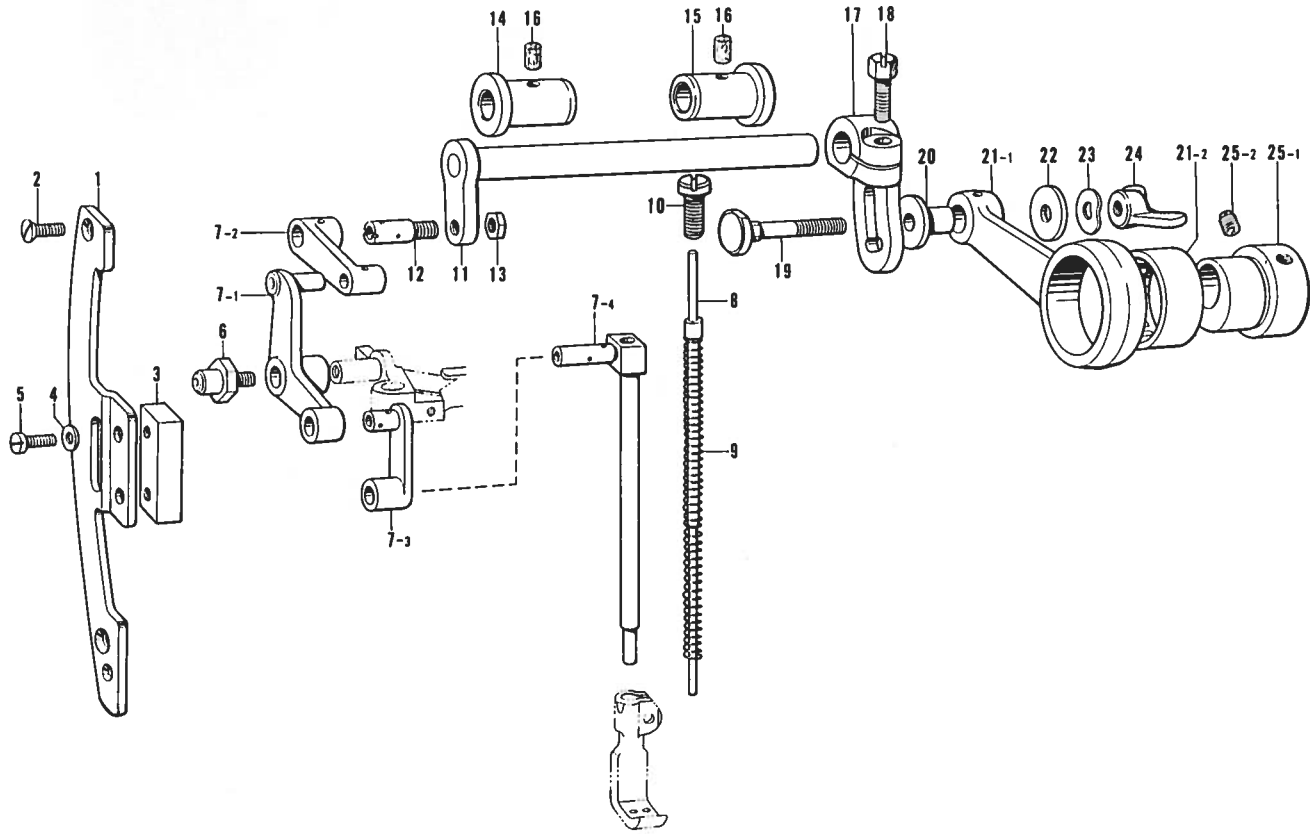
Ref. No.	Name of Parts	Q'ty	Parts No.	Assembly No.	Ref. No.	Name of Parts	Q'ty	Parts No.	Assembly No.
A- 1	Face Plate	1	150892-0-01		A-17	Stopper	1	112709-0-01	
A- 2	Spring Washer	1	146598-0-01		A-18	Screw	1	009670-6-12	
A- 3	Stud Screw	1	153112-0-01		A-19	Name Plate	1		
A- 4	Screw	1	106120-0-02		A-20	Pin	2		
A- 5	Thread Take-up Cover	1	150891-0-01		A-21	Thread Retainer	1	108056-0-01	
A- 6	Screw	1	107231-0-02		A-22	Screw	1	009681-0-14	
A- 7	Arm Top Cover	1	153876-0-01		A-23	Arm Thread Guide, Upper	1	151013-0-01	
A- 8	Screw	7	009681-2-14		A-24	Screw	1	108960-0-04	
A- 9	Top Cover Packing	1	150989-0-00		A-25	Vinyl Cap	1	104450-0-01	
A-10	Rear Cover	1	112566-0-02		A-26	Arm Thread Guide, Center	1	112658-0-01	
A-11	Screw	2	009670-6-12		A-27	Screw	1	108960-0-04	
A-12	Top Cover Therad Guide	2	140527-0-01		A-28	Screw	2	151602-0-02	
A-13	Nut	2	150553-0-03		A-29	Pipe	1	112714-0-00	
A-14- 1	Under Thread Tension Plate	1		A-14 Upper Tension Control Assembly 153914-0-01	A-30	Tension Release Shaft	1	112713-0-01	
A-14- 2	Spring	1			A-31	Arm Thread Guide, Lower	1	112715-0-01	
A-14- 3	Tension Release Plate	1			A-32	Felt	1	114941-0-01	
A-14- 4	Stud Screw	2	112712-0-01		A-33	Screw	1	108960-0-04	
A-14- 5	Pin	2	112710-0-01		A-34	Arm Bed	1		
A-14- 6	Pin	2	147150-0-01		A-35	Needle Plate	1		
A-14- 7	Tension Disc	4	108263-0-01		A-36	Screw	1	100032-0-03	
A-14- 8	Tension Disc Washer	2	148669-0-01		A-37	Screw	1	112751-0-02	
A-14- 9	Tension Spring	2	145153-0-01		A-38	Pin	1	113386-0-00	
A-14-10	Tension Control Nut	3	108265-0-01		A-39	Slide Plate, Left	1	112606-0-01	
A-14-11	Stop Ring	2	151148-0-01		A-40	Slide Plate, Right	1	150896-0-01	
A-14-12	Nut	2	151012-0-01		A-41	Slide Plate, Front Assembly	1	112610-0-01	
A-14-13	Tension Stud	2	151010-0-01		A-42	Screw	1	116010-0-01	
A-14-14	Tension Stud	1	108260-0-01		A-43	Feed Control Button	1	112677-0-01	
A-14-15	Thread Take-up Spring	1	151011-0-01		A-44	Spring	1	103607-0-00	
A-14-16	Spring Guide	1	108254-0-01		A-45	Stop Ring	1	048040-3-42	
A-14-17	Screw	1	118319-0-01		A-46	Model Plate	1		
A-15	Tube Stopper	1	112744-0-01	A-47	Model Plate Pin	2			
A-16	Screw	1	009671-0-12						

B. Upper Shaft, Needle Bar and Rocking Mechanism



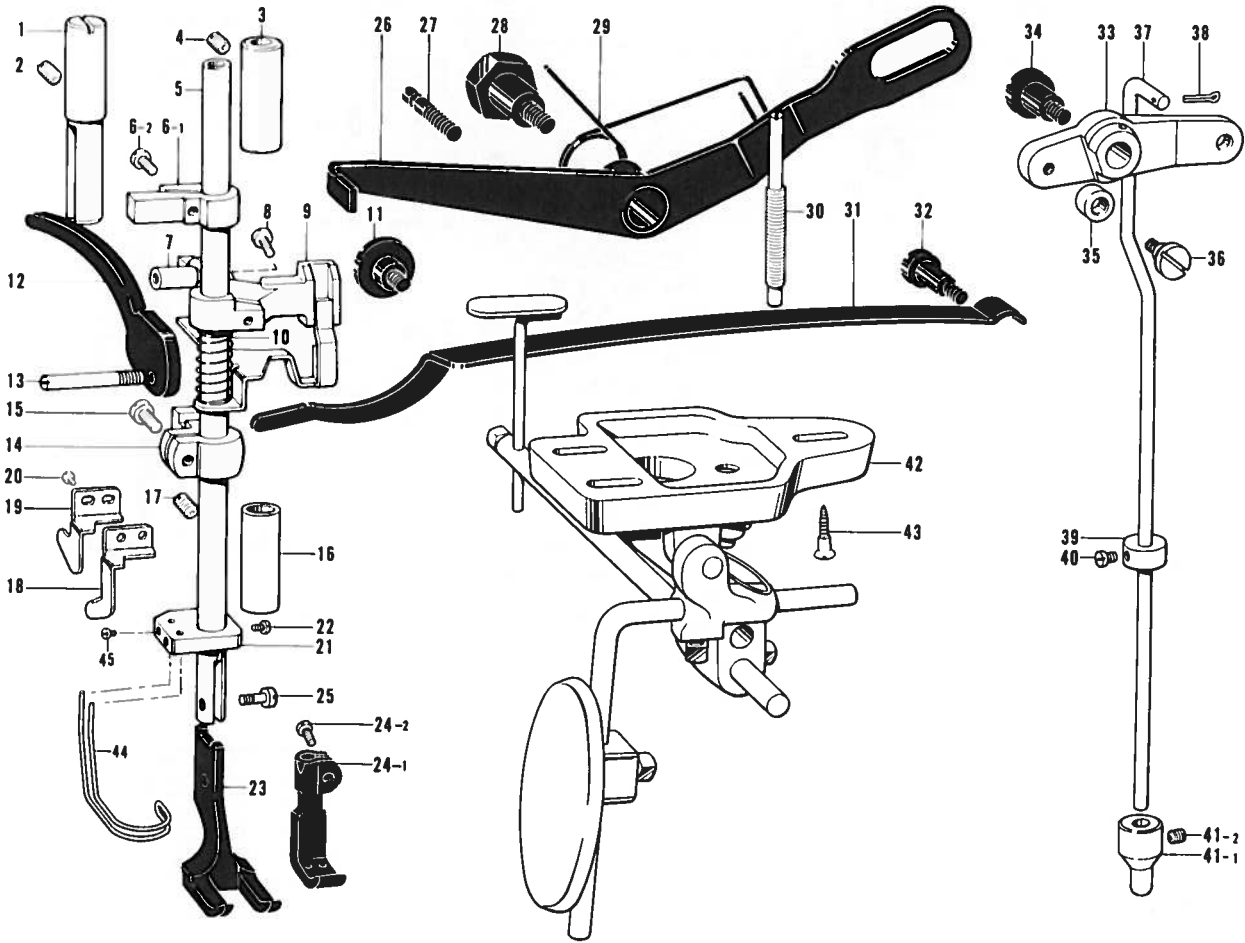
Ref. No.	Name of Parts	Q'ty	Parts No.	Assembly No.	Ref. No.	Name of Parts	Q'ty	Parts No.	Assembly No.
B-1	Stud	1	112579-0-01		B-34	Washer	1	100197-0-02	
B-2	Screw	2	151605-0-01		B-35	Washer	1	203735-0-01	
B-3	Thread Take-up Lever	1	153877-0-01		B-36	Nut	1	021800-1-03	
B-4	Wick	1	150995-0-00		B-37	Screw	1	009781-8-12	
B-5	Counter Weight	1	112574-0-00		B-38	Needle Bar Rock Link	1	150913-0-01	
B-6	Screw	1	100250-0-01		B-39	Needle Bar Rock Link Stud	1	112597-0-01	
B-7	Screw	1	146141-0-01		B-40	Needle Bar Rock Crank Collar	1	150915-0-01	
B-8	Needle Bar Crank	1	112577-0-01		B-41	Needle Bar Rock Link Stud	1	150916-0-01	
B-9	Screw	1	101706-0-01		B-42	Wick	1	112736-0-00	
B-10	Screw	1	100251-0-01		B-43	Wick Supporter	2	112739-0-01	
B-11	Wick	1	112735-0-00		B-44	Screw	2	009670-5-12	
B-12	Pusher	1	113014-0-00		B-45	Needle Bar Rock Shaft Bushing, Left	1	112594-0-01	
B-13	Thrust Ring	1	112576-0-01		B-46-1	Needle Bar Rock Shaft	1	112588-0-01	B-46
B-14	Upper Shaft Bushing, Left	1	112573-0-01		B-46-2	Needle Bar Rock Arm	1	150902-0-01	Needle Bar Rock Shaft Assembly
B-15	Screw	1	013761-4-10		B-46-3	Pin	1	107030-0-01	150901-0-01
B-16	Felt	1	112734-0-01		B-47-1	Needle Bar Support	1		*B-47 Needle Bar Support Assembly
B-17	Thread Take-up Lever Slide Block	1	150899-0-01		B-47-2	Needle Bar	1	153879-0-01	153878-0-01
B-18	Wick	1	114693-0-01		B-47-3	Needle Bar Guide Slide Block	1	150907-0-01	
B-19	Pusher	1	113024-0-00		B-48	Needle Bar Support Stud	1	150908-0-01	
B-20	Upper Shaft	1	112572-0-01		B-49	Screw	1	013781-0-12	
B-21	Timing Belt	1	112586-0-01		B-50	Wick	1	150996-0-00	
B-22-1	Timing Belt Wheel Upper	1		B-22 Timing Belt Wheel Upper Assembly 180157-0-01	B-51	Needle Bar Crank Rod	1	150911-0-01	
B-22-2	Side Ring	2			B-52	Needle Bar Clamp	1	150910-0-01	
B-23	Screw	1	015771-2-12		B-53	Screw	2	009670-8-12	
B-24	Screw	1	013771-2-12		B-54	Wick	1	112728-0-01	
B-25	Pulley	1	150900-0-01		B-55-1	Needle Clamp	1		B-55 Needle Clamp Assembly
B-26	Screw	2	013761-4-10		B-55-2	Screw	2	116323-0-01	
B-27	Stop Ring	1	112760-0-01		B-56	Needle DP x 17	2	145646-0-23	
B-28	Bearing 6204 VV.	1	072620-4-60		B-57	Needle Bar Support Swing Stopper	1	150909-0-01	
B-29	Needle Bar Rock Connecting Rod	1	150912-0-00		B-58	Screw	1	009681-4-14	
B-30	Screw	1	009781-8-12		B-59	Screw	1	009682-0-14	
B-31	Nut	1	101268-0-03		B-60	Guide Plate	1	150956-0-01	
B-32	Needle Bar Rock Shaft Bushing, Right	1	112764-0-01		B-61	Washer	2	025680-1-33	
B-33	Needle Bar Rock Crank	1	150914-0-01		B-62	Screw	2	009681-2-14	

C. Upper Feed Mechanism



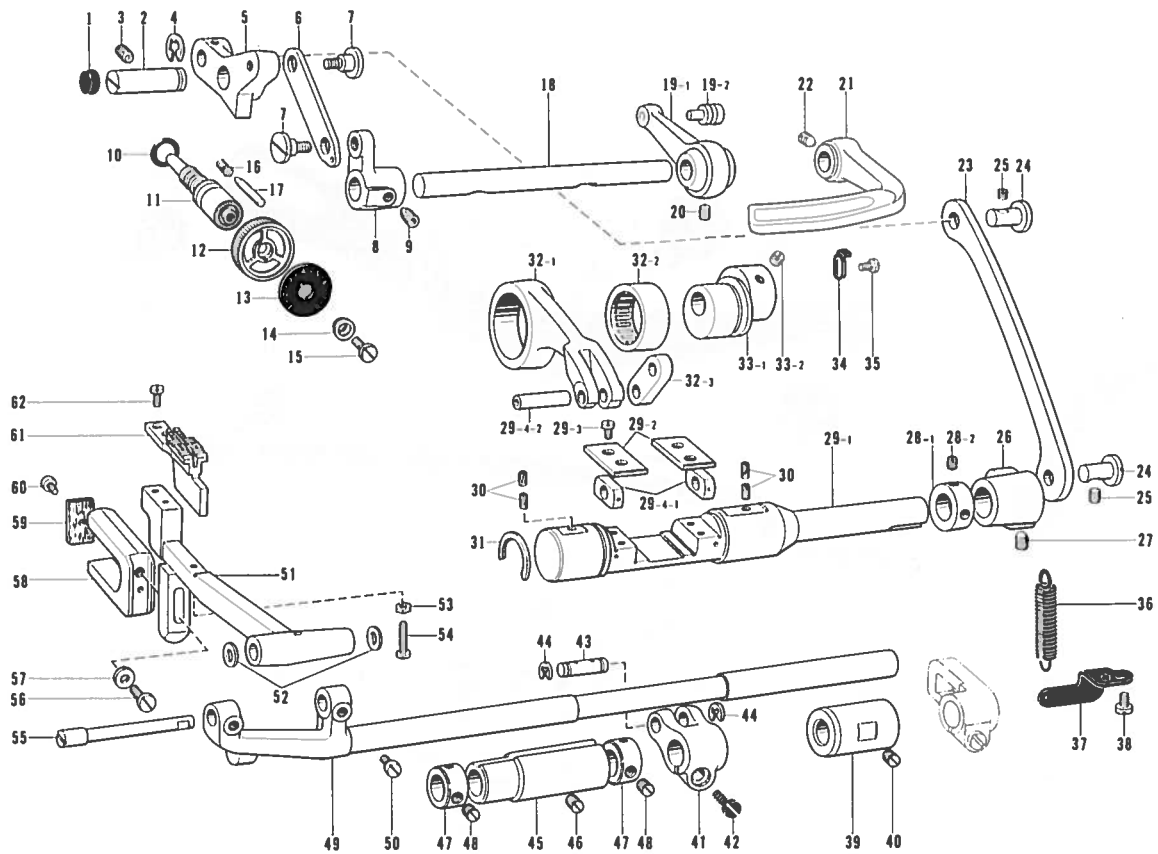
Ref. No.	Name of Parts	Q'ty	Parts No.	Assembly No.	Ref. No.	Name of Parts	Q'ty	Parts No.	Assembly No.
C- 1	Roller Stud Guide Plate	1	150954-0-01		C-14	Upper Feed Shaft Bushing, Left	1	150941-0-00	
C- 2	Screw	2	107231-0-02		C-15	Upper Feed Shaft Bushing, Right	1	150940-0-00	
C- 3	Roller Stud Guide	1	150955-0-01		C-16	Felt	2	107155-0-01	
C- 4	Washer	2	025680-1-33		C-17	Upper Feed Eccentric Wheel Crank	1	150935-0-01	
C- 5	Screw	2	009681-2-14		C-18	Screw	1	150936-0-01	
C- 6	Bell Crank Roller Stud Assembly	1	150952-0-01		C-19	Hinge Screw	1	150938-0-01	
C- 7- 1	Bell Crank	1	150946-0-01	C- 7 Upper Feed Assembly 150944-0-01	C-20	Collar	1	150937-0-01	
C- 7- 2	Bell Crank Link	1	150945-0-01		C-21- 1	Upper Feed Connecting Rod	1	150934-0-00	C-21 Upper Feed Connecting Rod Assembly 150933-0-00
C- 7- 3	Upper Feed Presser Link	1	150947-0-01		C-21- 2	Needle Bearing	1	118954-0-00	
C- 7- 4	Upper Feed Presser Bar	1	150948-0-01		C-22	Thrust Collar	1	151090-0-01	
C- 8	Presser Bar Presser	1	150950-0-01		C-23	Washer	1	107017-0-01	
C- 9	Presser Bar Presser Spring	1	150951-0-01		C-24	Nut	1	151015-0-01	
C-10	Adjusting Screw	1	150949-0-01		C-25- 1	Upper Feed Eccentric Wheel	1	C-25 Upper Feed Eccentric Wheel Assembly 150931-0-01	
C-11	Upper Feed Shaft	1	150942-0-01	C-25- 2	Screw	2	100251-0-01		
C-12	Stud Screw	1	150943-0-01						
C-13	Nut	1	150554-0-01						

D. Presser Foot Mechanism



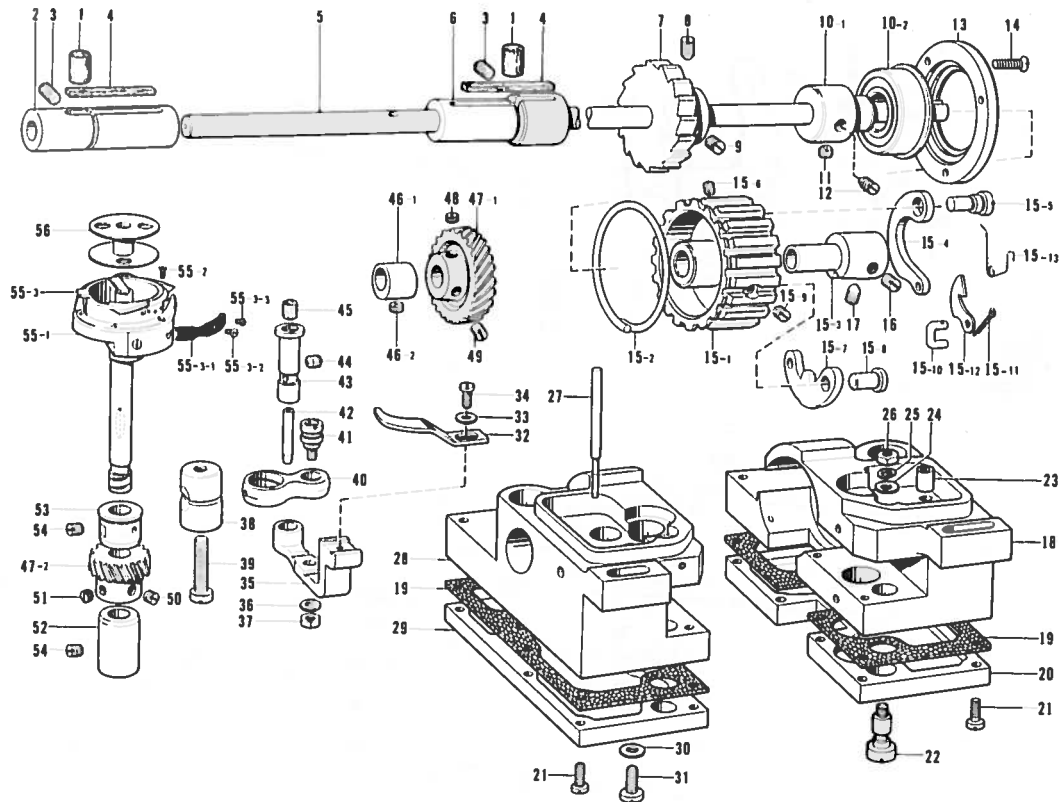
Ref. No.	Name of Parts	Q'ty	Parts No.	Assembly No.	Ref. No.	Name of Parts	Q'ty	Parts No.	Assembly No.
D- 1	Presser Bar Guide Shaft	1	150922-0-01		D-23	Vibrating Presser Foot	1		
D- 2	Screw	1	100260-0-01		D-24- 1	Lifting Presser Foot	1		D-24 Lifting Presser Foot Assembly
D- 3	Presser Bar Bushing, Upper	1	112615-0-01		D-24- 2	Screw	1	009680-6-12	
D- 4	Screw	1	100260-0-01		D-25	Screw	1	113050-0-01	
D- 5	Presser Bar	1	112614-0-01		D-26	Knee Lifter Lever	1	150923-0-01	
D- 6- 1	Presser Bar Guide	1		D- 6 Presser Bar Guide Assembly 180950-0-01	D-27	Stopper Screw	1	112630-0-01	
D- 6- 2	Screw	1	009680-7-12		D-28	Stud Screw	1	151073-0-01	
D- 7	Presser Bar Lifter	1	150918-0-01		D-29	Knee Lifter Lever Spring	1	150924-0-01	
D- 8	Screw	1	009712-0-12		D-30	Presser Adjusting Screw	1	112624-0-01	
D- 9	Tension Release Plate	1	150920-0-01		D-31	Presser Plate Spring	1	118170-0-01	
D-10	Tension Release Spring	1	150919-0-01		D-32	Screw	1	112623-0-01	
D-11	Screw	1	112631-0-01		D-33	Knee Lifter Connecting Lever	1	151072-0-01	
D-12	Presser Foot Lifter	1	150921-0-01		D-34	Stud Screw	1	149991-0-01	
D-13	Screw	1	112619-0-01		D-35	Roller	1	141868-0-01	
D-14	Presser Bar Bracket	1	112616-0-01		D-36	Stud Screw	1	145094-0-01	
D-15	Screw	1	009670-8-12		D-37	Knee Lifter Connecting Rod	1	151087-0-01	
D-16	Presser Bar Bushing, Lower	1	112763-0-01		D-38	Pin	1	114909-0-00	
D-17	Screw	1	151604-0-01		D-39	Collar	1	112634-0-02	
D-18	Thread Cutter	1	151192-0-01		D-40	Screw	1	104908-0-04	
D-19	Thread Cutter Guide Plate	1	151193-0-01		D-41- 1	Knee Lifter Complying Bar	1		D-41 Complying Bar Assembly 182440-0-01
D-20	Screw	2	009660-5-12		D-41- 2	Screw	1	151601-0-02	
D-21	Finger Guard Supporter	1	151191-0-01		D-42	Knee Lifter Assembly	1	151098-0-01	
D-22	Screw	1	144458-0-01		D-43	Screw	3	106030-0-01	
					D-44	Screw	2	149177-0-01	
					D-45	Finger Guard	1	150917-0-01	

E. Feed Mechanism



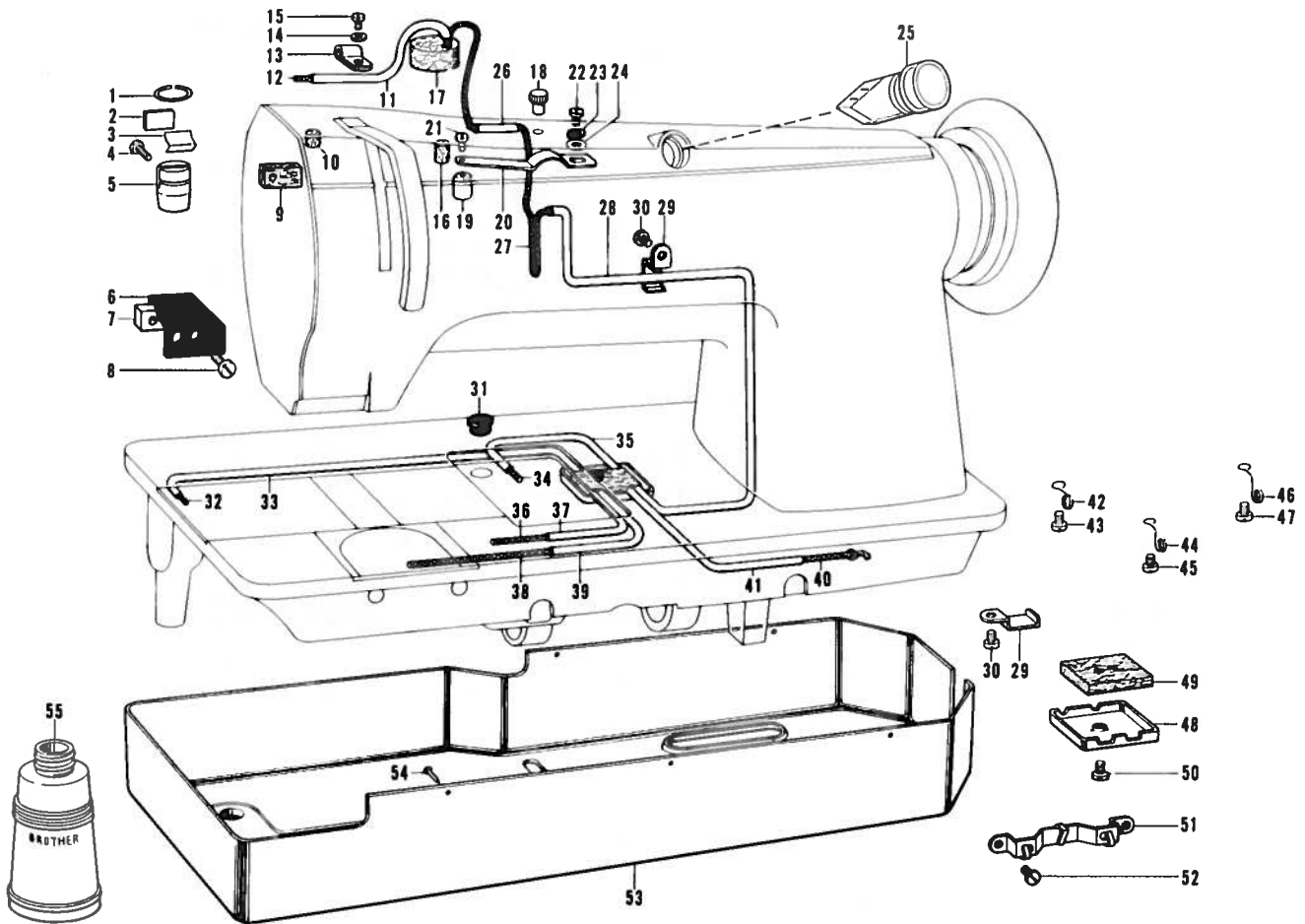
Ref. No.	Name of Parts	Q'ty	Parts No.	Assembly No.	Ref. No.	Name of Parts	Q'ty	Parts No.	Assembly No.
E- 1	Cap	1	143766-0-01		E-31	Stop Ring	1	143597-0-01	
E- 2	Feed Regulator Stud	1	148488-0-01		E-32-1	Level Feed Connecting Rod	1	150927-0-00	E-32 Level Feed Connecting Rod Assembly 150926-0-01
E- 3	Screw	1	151605-0-01		E-32-2	Needle Bearing	1	118954-0-00	
E- 4	Stud Ring	1	048070-3-42		E-32-3	Level Feed Connecting Link	1	143613-0-01	
E- 5	Feed Regulator	1	148489-0-01		E-33-1	Eccentric Wheel	1		E-33 Eccentric Wheel with Screw 150928-0-01
E- 6	Connecting Plate	1	118746-0-01		E-33-2	Screw	2	151605-0-01	
E- 7	Stud Screw	2	112072-0-01		E-34	Reverse Lever Stopper	1	118865-0-01	
E- 8	Feed Regulator Bracket	1	118747-0-01		E-35	Screw	1	009680-7-14	
E- 9	Screw	1	118853-0-01		E-36	Spring	1	143609-0-01	
E-10	Packing	1	108549-0-01		E-37	Spring Hook Plate	1	143610-0-01	
E-11	Length Control Screw	1	109151-1-01		E-38	Screw	1	009710-8-12	
E-12	Length Control Dial	1	153168-0-01		E-39	Feed Rock Shaft Bushing, Right	1	148493-0-01	
E-13	Length Control Plate	1	153231-0-01		E-40	Screw	1	013761-4-10	
E-14	Length Control Supporter	1	142746-0-02		E-41	Level Feed Arm	1	150930-0-01	
E-15	Screw	1	142747-0-02		E-42	Screw	1	009781-8-12	
E-16	Spring	1	100328-0-01		E-43	Stud	1	143616-0-01	
E-17	Pin	1	145502-0-01		E-44	Stud Ring	2	048060-3-42	
E-18	Reverse Lever Shaft	1	151080-0-01		E-45	Feed Rock Shaft Bushing, Left	1	148494-0-01	
E-19-1	Link (B)	1		E-19 Link Assembly 143608-0-01	E-46	Screw	1	013761-4-10	
E-19-2	Spring Hook	1	108546-0-01		E-47	Feed Rock Shaft Collar	2	113074-0-01	
E-20	Screw	1	014760-6-22		E-48	Screw	4	101706-0-01	
E-21	Reverse Lever	1	118752-0-02		E-49	Feed Rock Shaft	1	148976-0-01	
E-22	Screw	1	015771-0-12		E-50	Screw	2	104908-0-04	
E-23	Feed Regulator Connecting Link	1	148487-0-01		E-51	Feed Bar	1	153880-0-01	
E-24	Pin	2	118713-0-01		E-52	Thrust Ring	2	143591-0-01	
E-25	Screw	2	151602-0-01		E-53	Nut	1	021660-1-03	
E-26	Feed Regulator Arm	1	150925-0-01		E-54	Screw	1	107278-0-02	
E-27	Screw	1	118853-0-01		E-55	Feed Bar Shaft	1	148977-0-01	
E-28-1	Collar	1		E-28 Collar Assembly 180321-0-01	E-56	Screw	1	009761-4-12	
E-28-2	Screw	2	101706-0-01		E-57	Washer	1	025060-1-32	
E-29-1	Feed Regulator Shaft	1		E-29 Feed Regulator Shaft Assembly 148771-0-01	E-58	Feed Bar Fork	1	150958-0-01	
E-29-2	Guide Plate	2	143594-0-01		E-59	Felt	1	112759-0-01	
E-29-3	Screw	4	009681-0-12		E-60	Screw	1	100242-0-03	
E-29-4-1	Feed Regulator Slide Block	2		E-29-4 Slide Block 145328-0-01	E-61	Feed Dog	1		
E-29-4-2	Pin	1			E-62	Screw	2	116283-0-01	
E-30	Felt	4	148743-0-01						

F. Lower Shaft, Rotary Hook Mechanism



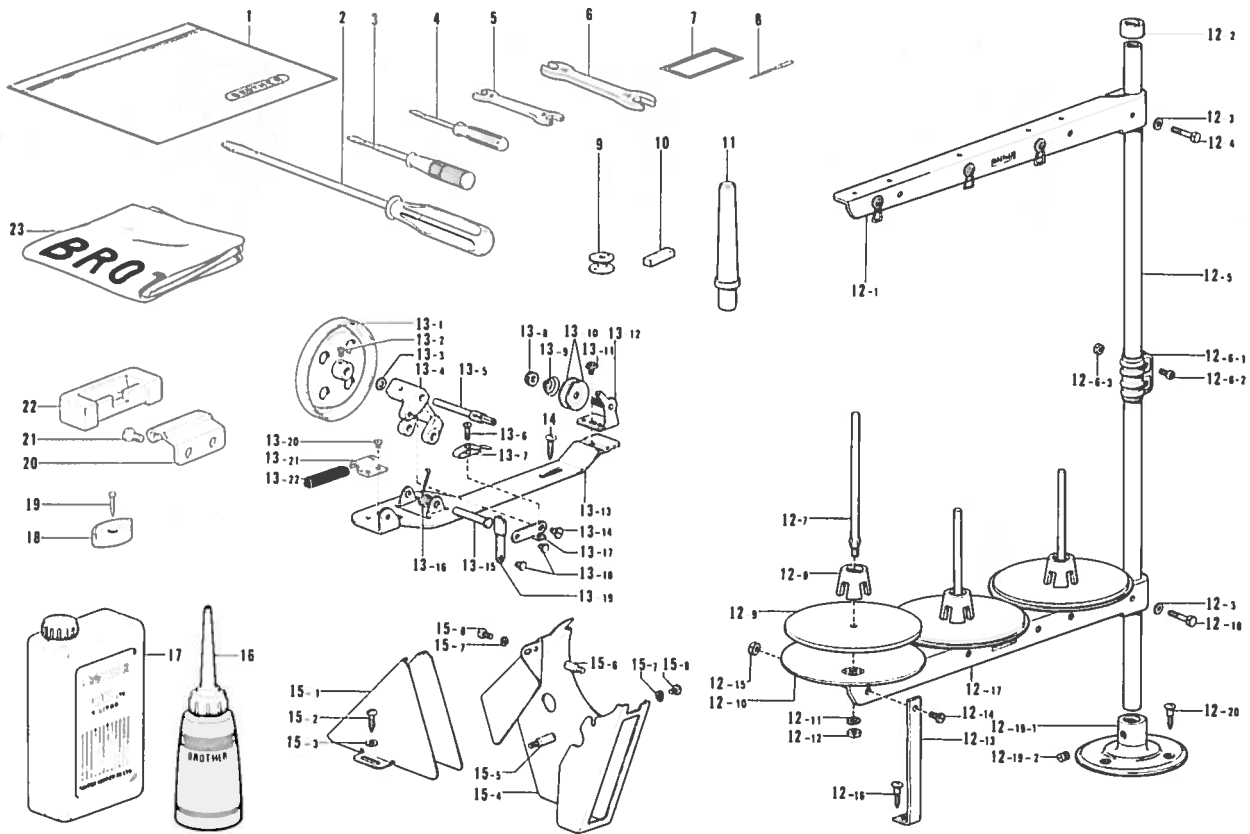
Ref. No.	Name of Parts	Q'ty	Parts No.	Assembly No.	Ref. No.	Name of Parts	Q'ty	Parts No.	Assembly No.
F- 1	Felt	2	112753-0-01		F-26	Nut	2	105234-0-01	
F- 2	Rotary Hook Base Bushing, Left	1	148503-0-00		F-27	Oil Gauge	2	151006-0-01	
F- 3	Screw	2	151604-0-01		F-28	Rotary Hook Base Oil Reservoir, Left	1	153911-0-01	
F- 4	Felt, Right	2	113362-0-01		F-29	Oil Reservoir, Left	1	112686-0-01	
F- 5	Lower Shaft	1	153913-0-01		F-30	Washer	2	100197-0-02	
F- 6	Rotary Hook Base Bushing, Right	1	148502-0-00		F-31	Screw	2	103351-0-02	
F- 7	Rock Ratchet	1	150977-0-01		F-32	Bobbin Case Opener	2	150970-0-01	
F- 8	Screw	1	015771-2-12		F-33	Washer	2	105161-0-02	
F- 9	Screw	1	013771-2-12		F-34	Screw	2	009670-8-12	
F-10- 1	Bearing Bushing	1	150976-0-01	F-10 Lower Shaft Bearing Assembly 150975-0-01	F-35	Opener Crank	2	150968-0-01	
F-10- 2	Ball Bearing	1	112666-0-00		F-36	Washer	2	025710-2-32	
F-11	Screw	1	013771-2-12		F-37	Nut	2	110161-0-06	
F-12	Screw	1	015771-2-12		F-38	Pinch Sleeve	2	112699-0-01	
F-13	Presser	1	112668-0-01		F-39	Screw	2	112700-0-01	
F-14	Screw	3	005671-2-12		F-40	Opener Link	2	150967-0-01	
F-15- 1	Timing Belt Pulley Lower	1		F-15 Timing Belt Pulley Lower Assembly 150978-0-01	F-41	Stud	2	148005-0-01	
F-15- 2	Side Ring	1			F-42	Pipe	1	112696-0-00	
F-15- 3	Collar	1	150987-0-01		F-43	Opener Crank Stud	2	150969-0-01	
F-15- 4	Rock Lever	1	150982-0-01		F-44	Screw	2	153483-0-01	
F-15- 5	Rock Lever Stud	1	150983-0-01		F-45	Felt	2	107155-0-01	
F-15- 6	Screw	1	013680-5-16		F-46- 1	Feed Eccentric	1		F-46 Feed Eccentric Assembly 181486-0-01
F-15- 7	Rock Lever	1	150980-0-01		F-46- 2	Screw	1	112684-0-01	
F-15- 8	Rock Lever Stud	1	150981-0-01		F-47- 1	Spiral Gear	2		F-47 Spiral Gear Assembly 180949-0-01
F-15- 9	Screw	1	151603-0-01		F-47- 2	Pinion	2		
F-15-10	Connecting Link	1	150984-0-01		F-48	Screw	2	112684-0-01	
F-15-11	Pin	1	114909-0-00		F-49	Screw	4	100251-0-01	
F-15-12	Ratchet	1	150985-0-01	F-50	Screw	4	101706-0-01		
F-15-13	Ratchet Spring	1	150986-0-01	F-51	Screw	2	112684-0-01		
F-16	Screw	1	013771-2-12	F-52	Rotary Hook Shaft Bushing, Lower	2	150965-0-01		
F-17	Screw	1	148821-0-01	F-53	Rotary Hook Shaft Bushing, Upper	2	150964-0-01		
F-18	Rotary Hook Base, Right	1	150963-0-01	F-54	Screw	4	107794-0-01		
F-19	Packing	2	112755-0-01	F-55- 1	Outer Rotary Hook Assembly	1		F-55 Rotary Hook Assembly 153912-0-01	
F-20	Rotary Hook Base Oil Reservoir, Right	1	112702-0-01	F-55- 2	Screw	3	151027-0-01		
F-21	Screw	16	100320-0-02	F-55- 3	Adjusting Spring	1	151495-0-01		
F-22	Oil Adjusting Screw	2	112756-0-01	F-55- 4-2	Tension Adjusting Screw	1	151029-0-01		
F-23	Oil Pipe	2	115287-0-00	F-55- 5-3	Screw	1	151030-0-01		
F-24	Washer	2	100645-0-03	F-56	Bobbin	2	150971-0-01		
F-25	Washer	2	028680-2-43						

G. Lubrication



Ref. No.	Name of Parts	Q'ty	Parts No.	Assembly No.	Ref. No.	Name of Parts	Q'ty	Parts No.	Assembly No.
G- 1	Stop Ring	1	117205-0-01		G-29	Felt Presser	2	114297-0-01	
G- 2	Wick Presser Plate	1	117203-0-01		G-30	Screw	2	009670-5-12	
G- 3	Wick Presser Spring	1	117204-0-01		G-31	Oil Cap	1	112758-0-01	
G- 4	Screw	1	009671-0-12		G-32	Wick	1	150999-0-00	
G- 5	Oil Adjusting Bushing	1	150992-0-01		G-33	Oil Tube	1	151000-1-00	
G- 6	Oil Stopper Plate	1	150988-0-01		G-34	Wick	1	151001-0-00	
G- 7	Oil Stopper Plate Presser	1	112717-0-01		G-35	Oil Tube	1	148733-0-01	
G- 8	Screw	1	009711-2-12		G-36	Wick	1	151002-0-00	
G- 9	Felt	1	148762-0-01		G-37	Oil Tube	1	143671-0-00	
G-10	Felt	1	107155-0-01		G-38	Wick	1	151005-0-00	
G-11	Oil Tube	1	143671-0-00		G-39	Oil Tube	1	148733-0-01	
G-12	Wick	1	151097-0-00		G-40	Wick	1	151003-0-00	
G-13	Oil Tube Holder	1	151089-0-00		G-41	Oil Tube	1	151004-0-00	
G-14	Washer	1	025350-3-32		G-42	Tube Holder	4	112743-0-01	
G-15	Screw	1	009670-8-12		G-43	Screw	4	009670-5-12	
G-16	Felt	1	112754-0-01		G-44	Holder	3	112744-0-01	
G-17	Felt	1	141742-0-01		G-45	Screw	3	009670-5-12	
G-18	Cap For Oil Inlet	1	113526-0-01		G-46	Tube Holder	1	112745-0-01	
G-19	Oil Pendulum	1	150994-0-00		G-47	Screw	1	009670-5-12	
G-20	Oil Pendulum Spring	1	150993-0-01		G-48	Bad Oil Tube Holder	1	148729-0-01	
G-21	Screw	1	009670-6-12		G-49	Felt	1	148732-0-01	
G-22	Screw	1	009680-6-12		G-50	Screw	1	009711-0-12	
G-23	Washer	1	028680-2-43		G-51	Wick Support	1	143673-0-01	
G-24	Washer	1	025680-2-32		G-52	Screw	2	009660-4-12	
G-25	Oil Gauge Window	1	150990-0-01		G-53	Oil Pan	1	151007-1-01	
G-26	Oil Tube	1	150997-0-00		G-54	Nail	5	109714-0-00	
G-27	Wick	1	148731-0-00		G-55	Oiler	1	114486-0-01	
G-28	Oil Tube	1	150998-0-00						

Z. Accessories



Ref. No.	Name of Parts	Q'ty	Parts No.	Assembly No.	Ref. No.	Name of Parts	Q'ty	Parts No.	Assembly No.
Z- 1	Vinyl Bag		122991-0-01		Z-13- 3	Washer			
Z- 2	Screw Driver		101572-1-01		Z-13- 4	Bobbin Winder Wheel Shaft Supporter			
Z- 3	Screw Driver		118837-0-01		Z-13- 5	Bobbin Winder Shaft		117970-0-01	
Z- 4	Screw Driver		142443-0-01		Z-13- 6	Screw		100657-0-01	
Z- 5	Spanner 8 x 9		100887-0-01		Z-13- 7	Bobbin Presser			
Z- 6	Spanner 10 x 12		107780-0-01		Z-13- 8	Tension Control Nut			
Z- 7	Needle Bag				Z-13- 9	Tension Spring		100401-0-01	
Z- 8	Needle DP x 17		145646-0-23		Z-13-10	Tension Disc		145446-0-01	
Z- 9	Bobbin		150971-0-01		Z-13-11	Screw			
Z-10	Felt		114941-0-01		Z-13-12	Bobbin Winder Guide Assembly			Z-13
Z-11	Head Rest		100477-0-01		Z-13-13	Bobbin Winder Wheel Bracket			Bobbin Winder
Z-12- 1	Thread Hanger Assembly		150193-0-01		Z-13-14	Screw		100659-0-01	Assembly
Z-12- 2	Column Cap			Z-12 Cotton Stand Assembly 150151-0-01	Z-13-15	Pin			117963-0-01
Z-12- 3	Washer		025050-2-33		Z-13-16	Spring		117969-0-01	
Z-12- 4	Screw		017502-8-03		Z-13-17	Bobbin Presser Arm			
Z-12- 5	Pipe		150172-0-01		Z-13-18	Pin		100661-0-01	
Z-12- 6-1	Joint			Z-12- 6 Joint for Cotton Stand 150106-0-01	Z-13-19	Bobbin Presser Bracket			
Z-12- 6-2	Screw		150202-0-01		Z-13-20	Screw		009679-3-12	
Z-12- 6-3	Nut		021500-1-03		Z-13-21	Bobbin Winder Wheel Stopper Holder			
Z-12- 7	Spool Shaft (B)		150179-0-01		Z-13-22	Bobbin Winder Wheel Stopper		100662-0-01	
Z-12- 8	Spool Cushion		147060-0-01		Z-14	Screw		100666-0-02	
Z-12- 9	Spool Mat		150182-0-00		Z-15- 1	Belt Cover (D)			
Z-12-10	Spool Stand Base		150180-0-00		Z-15- 2	Screw		100666-0-02	
Z-12-11	Washer		028050-2-43		Z-15- 3	Washer		025750-1-32	
Z-12-12	Nut		021500-1-03		Z-15- 4	Belt Cover (UD)			Z-15
Z-12-13	Spool Holder Supporter (A)		150188-0-01	Z-12 Cotton Stand Assembly 150151-0-01	Z-15- 5	Belt Cover Stud (B)		147856-0-02	Belt Cover
Z-12-14	Screw		007501-0-03		Z-15- 6	Belt Cover Stud		147858-0-01	Complete D
Z-12-15	Nut		021500-1-03		Z-15- 7	Spring Washer		028680-2-42	
Z-12-16	Screw		031452-2-03		Z-15- 8	Screw		009680-8-12	
Z-12-17	Spool Holder 3		150175-0-01		Z-16	Oiler		114483-0-01	
Z-12-18	Screw		017502-8-03		Z-17	Oil Tank		145277-1-03	
Z-12-19-1	Cotton Stand Base		150189-0-01	Z-12-19 Cotton Stand Base Assembly 150139-0-01	Z-18	Head Cushion		148890-1-01	
Z-12-19-2	Screw		150181-0-01		Z-19	Nail		109714-0-00	
Z-12-20	Screw		031452-2-03		Z-20	Head Hinge		148882-0-01	
Z-13- 1	Bobbin Winder Wheel Assembly			Z-13 Bobbin Winder Assembly 117963-0-01	Z-21	Screw		112569-0-01	
Z-13- 2	Screw		100366-0-02		Z-22	Rubber Hinge		143910-0-01	
					Z-23	Head Cover		144222-0-01	

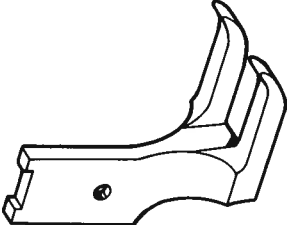
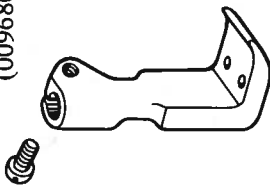
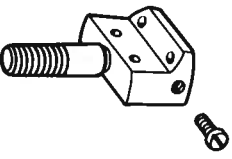
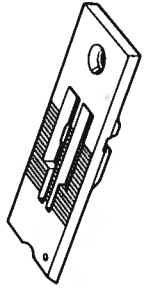
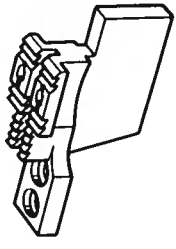
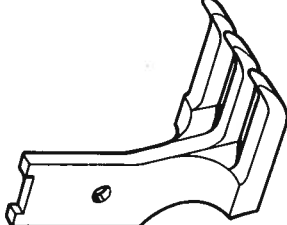
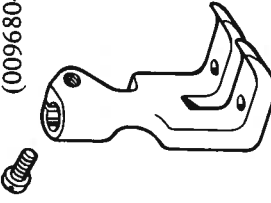
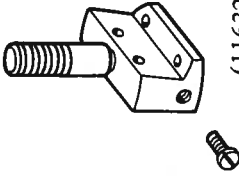
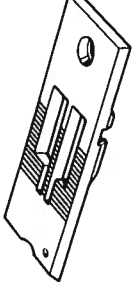
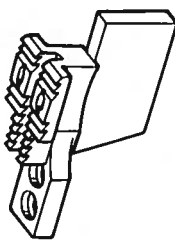
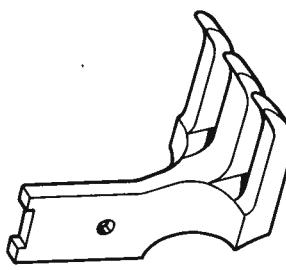
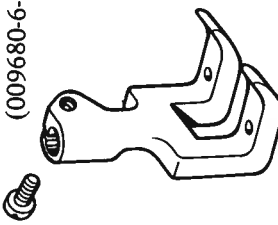
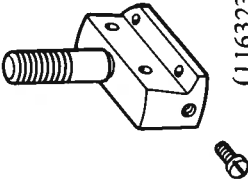
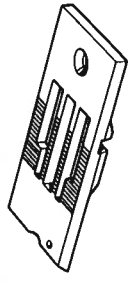
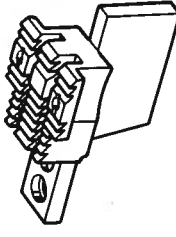
*The details of included accessories are subject to change.

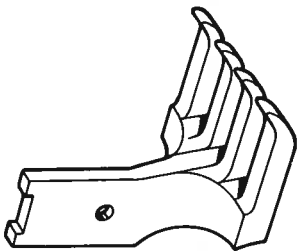
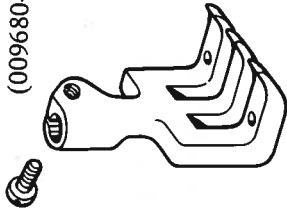
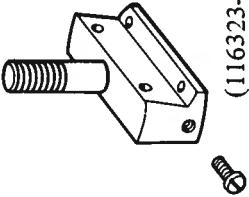
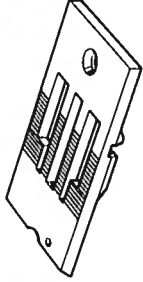
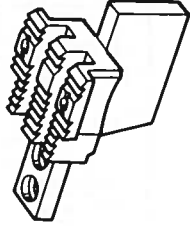
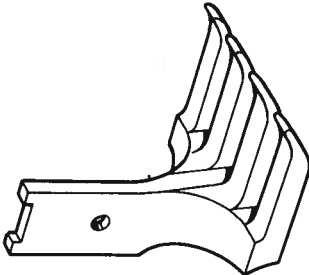
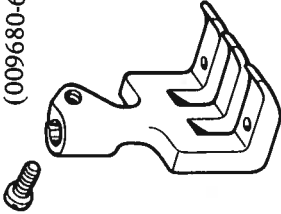
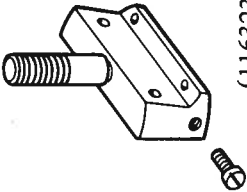
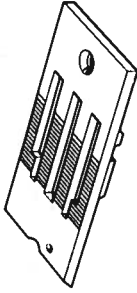
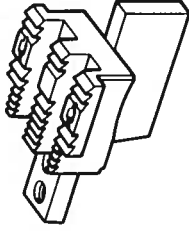
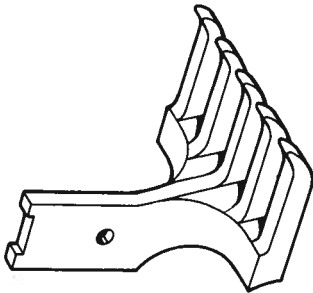
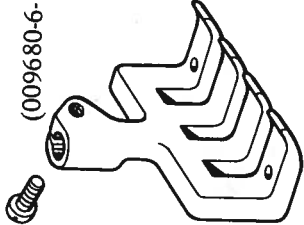
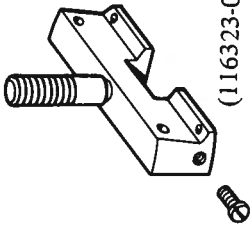
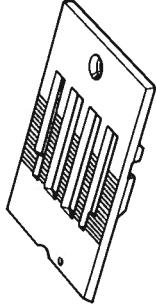
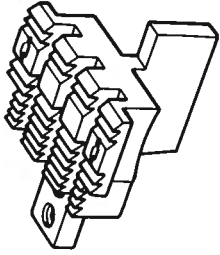
*Les détails des accessoires inclus sont sujets à des changements.

*Änderungen in der Aufstellung der mitgelieferten Zubehöre sind vorbehalten.

*Los detalles de los accesorios incluidos pueden variar.

Gauge Parts

Size	Vibrating Presser Foot	Lifting Presser Foot Assembly	Needle Clamp Assembly	Needle Plate	Feed Dog
1/4 inch (6.4 mm)	 153885-0-01	 (009680-6-12) 183096-0-01	 (116323-0-01) 183095-0-01	 153881-0-01	 153882-0-01
3/8 inch (9.5 mm)	 153890-0-01	 (009680-6-12) 183098-0-01	 (116323-0-01) 183097-0-01	 153886-0-01	 153887-0-01
1/2 inch (12.7 mm)	 153895-0-01	 (009680-6-12) 183100-0-01	 (116323-0-01) 183099-0-01	 153891-0-01	 153892-0-01

Size	Vibrating Presser Foot	Lifting Presser Foot Assembly	Needle Clamp Assembly	Needle Plate	Feed Dog
5/8 inch (15.9 mm)	 153900-0-01	(009680-6-12)  183102-0-01	 (116323-0-01) 183101-0-01	 153896-0-01	 153897-0-01
3/4 inch (19.1 mm)	 153905-0-01	(009680-6-12)  183104-0-01	 (116323-0-01) 183103-0-01	 153901-0-01	 153902-0-01
1 inch (25.4 mm)	 153910-0-01	(009680-6-12)  183106-0-01	 (116323-0-01) 183105-0-01	 153906-0-01	 153907-0-01

I N D E X

Parts No.	Ref. No.	Remark	Parts No.	Ref. No.	Remark	Parts No.	Ref. No.	Remark	Parts No.	Ref. No.	Remark
005671-2-12	F-14		028680-2-42	Z-15- 7		110161-0-06	F-37		114297-0-01	G-29	
007501-0-03	Z-12-14		028680-2-43	F-25		112072-0-01	E- 7		114483-0-01	Z-16	
009660-4-12	G-52			G-23		112566-0-02	A-10		114486-0-01	G-55	
009660-5-12	D-20		031452-2-03	Z-12-16		112569-0-01	Z-21		114693-0-01	B-18	
009670-5-12	B-44			Z-12-20		112572-0-01	B-20		114909-0-00	D-38	
	G-30		048040-3-42	A-45		112573-0-01	B-14			F-15-11	
	G-43		048060-3-42	E-44		112574-0-00	B- 5		114941-0-01	A-32	
	G-45		048070-3-42	E- 4		112576-0-01	B-13			Z-10	
	G-47		072620-4-60	B-28		112577-0-01	B- 8		115287-0-00	F-23	
009670-6-12	A-11		100032-0-03	A-36		112579-0-01	B- 1		116010-0-01	A-42	
	A-18		100197-0-02	B-34		112586-0-01	B-21		116283-0-01	E-62	
	G-21			F-30		112588-0-01	B-46- 1		116323-0-01	B-55- 2	
009670-8-12	B-53		100242-0-03	E-60		112594-0-01	B-45		117203-0-01	G- 2	
	D-15		100250-0-01	B- 6		112597-0-01	B-39		117204-0-01	G- 3	
	F-34		100251-0-01	B-10		112606-0-01	A-39		117205-0-01	G- 1	
	G-15			C-25- 2		112610-0-01	A-41		117963-0-01	Z-13	
009671-0-12	A-16			F-49		112614-0-01	D- 5		117969-0-01	Z-13-16	
	G- 4		100260-0-01	D- 2		112615-0-01	D- 3		117970-0-01	Z-13- 5	
009679-3-12	Z-13-20			D- 4		112616-0-01	D-14		118170-0-01	D-31	
009680-6-12	D-24- 2		100320-0-02	F-21		112619-0-01	D-13		118319-0-01	A-14-17	
	G-22		100328-0-01	E-16		112623-0-01	D-32		118713-0-01	E-24	
009680-7-12	D- 6- 2		100366-0-02	Z-13- 2		112624-0-01	D-30		118746-0-01	E- 6	
009680-7-14	E-35		100401-0-01	Z-13- 9		112630-0-01	D-27		118747-0-01	E- 8	
009680-8-12	Z-15- 8		100477-0-01	Z-11		112631-0-01	D-11		118752-0-02	E-21	
009681-0-12	E-29- 3		100645-0-03	F-24		112634-0-02	D-39		118837-0-01	Z- 3	
009681-0-14	A-22		100657-0-01	Z-13- 6		112658-0-01	A-26		118853-0-01	E- 9	
009681-2-14	A- 8		100659-0-01	Z-13-14		112666-0-00	F-10- 2			E-27	
	B-62		100661-0-01	Z-13-18		112668-0-01	F-13		118865-0-01	E-34	
	C- 5		100662-0-01	Z-13-22		112677-0-01	A-43		118954-0-00	C-21- 2	
009681-4-14	B-58		100666-0-02	Z-14		112684-0-01	F-46- 2			E-32- 2	
009682-0-14	B-59			Z-15- 2			F-48		122991-0-01	Z- 1	
009710-8-12	E-38		100887-0-01	Z- 5			F-51		140527-0-01	A-12	
009711-0-12	G-50		101268-0-03	B-31		112686-0-01	F-29		141742-0-01	G-17	
009711-2-12	G- 8		101572-1-01	Z- 2		112696-0-00	F-42		141868-0-01	D-35	
009712-0-12	D- 8		101706-0-01	B- 9		112699-0-01	F-38		142443-0-01	Z- 4	
009761-4-12	E-56			E-28- 2		112700-0-01	F-39		142746-0-02	E-14	
009781-8-12	B-30			E-48		112702-0-01	F-20		142747-0-02	E-15	
	B-37			F-50		112709-0-01	A-17		143591-0-01	E-52	
	E-42		103607-0-00	A-44		112710-0-01	A-14- 5		143594-0-01	E-29- 2	
013680-5-16	F-15- 6		104450-0-01	A-25		112712-0-01	A-14- 4		143597-0-01	E-31	
013761-4-10	B-15		104908-0-04	D-40		112713-0-01	A-30		143608-0-01	E-19	
	B-26			E-50		112714-0-00	A-29		143609-0-01	E-36	
	E-40		105161-0-02	F-33		112715-0-01	A-31		143610-0-01	E-37	
	E-46		105234-0-01	F-26		112717-0-01	G- 7		143613-0-01	E-32- 3	
013771-2-12	B-24		105351-0-02	F-31		112728-0-01	B-54		143616-0-01	E-43	
	F- 9		106030-0-01	D-43		112734-0-01	B-16		143671-0-00	G-11	
	F-11		106120-0-02	A- 4		112735-0-00	B-11			G-37	
	F-16		107017-0-01	C-23		112736-0-00	B-42		143673-0-01	G-51	
013781-0-12	B-49		107030-0-01	B-46- 3		112739-0-01	B-43		143766-0-01	E- 1	
014760-6-22	E-20		107155-0-01	C-16		112743-0-01	G-42		143910-0-01	Z-22	
015771-0-12	E-22			F-45		112744-0-01	A-15		144222-0-01	Z-23	
015771-2-12	B-23			G-10			G-44		144458-0-01	D-22	
	F- 8		107231-0-02	A- 6		112745-0-01	G-46		145094-0-01	D-36	
	F-12			C- 2		112751-0-02	A-37		145153-0-01	A-14- 9	
017502-8-03	Z-12- 4		107278-0-02	E-54		112753-0-01	F- 1		145277-1-03	Z-17	
	Z-12-18		107780-0-01	Z- 6		112754-0-01	G-16		145328-0-01	E-29- 4	
021500-1-03	Z-12- 6- 3		107794-0-01	F-54		112755-0-01	F-19		145446-0-01	Z-13-10	
	Z-12-12		108056-0-01	A-21		112756-0-01	F-22		145502-0-01	E-17	
	Z-12-15		108254-0-01	A-14-16		112758-0-01	G-31		145646-0-23	B-56	
021660-1-03	E-53		108260-0-01	A-14-14		112759-0-01	E-59			Z- 8	
021800-1-03	B-36		180263-0-01	A-14- 7		112760-0-01	B-27		146141-0-01	B- 7	
025050-2-33	Z-12- 3		108265-0-01	A-14-10		112763-0-01	D-16		146598-0-01	A- 2	
025060-1-32	E-57		180546-0-01	E-19- 2		112764-0-01	B-32		147060-0-01	Z-12- 8	
025350-3-32	G-14		108549-0-01	E-10		113014-0-00	B-12		147150-0-01	A-14- 6	
025680-1-33	B-61		108960-0-04	A-24		113024-0-00	B-19		147856-0-02	Z-15- 5	
	C- 4			A-27		113050-0-01	D-25		147858-0-01	Z-15- 6	
	G-24			A-33		113074-0-01	E-47		147908-0-01	Z-15	
025710-2-32	F-36		109151-1-01	E-11		113362-0-01	F- 4		148005-0-01	F-41	
025750-1-32	Z-15- 3		109714-0-00	G-54		113386-0-00	A-38		148487-0-01	E-23	
028050-2-43	Z-12-11			Z-19		113526-0-01	G-18		148488-0-01	E- 2	

Parts No.	Ref. No.	Remark	Parts No.	Ref. No.	Remark	Parts No.	Ref. No.	Remark	Parts No.	Ref. No.	Remark
148489-0-01	E- 5					151080-0-01	E-18		203735-0-01	B-35	
148493-0-01	E-39		150937-0-01	C-20		151087-0-01	D-37				
148494-0-01	E-45		150938-0-01	C-19		151089-0-00	G-13		149177-0-01	D-44	
148502-0-00	F- 6		150940-0-00	C-15		151090-0-01	C-22		150917-0-01	D-45	
148503-0-00	F- 2		150941-0-00	C-14		151097-0-00	G-12				
148669-0-01	A-14- 8		150942-0-01	C-11		151098-0-01	D-42				
148729-0-01	G-48		150943-0-01	C-12		151148-0-01	A-14-11				
148731-0-00	G-27		150944-0-01	C- 7		151191-0-01	D-21				
148732-0-01	G-49		150945-0-01	C- 7- 2		151192-0-01	D-18				
148733-0-01	G-35		150946-0-01	C- 7- 1		151193-0-01	D-19				
	G-39		150947-0-01	C- 7- 3		151491-0-01	F-55- 3				
148743-0-01	E-30		150948-0-01	C- 7- 4		151495-0-01	F-55- 3- 1				
148762-0-01	G- 9		150949-0-01	C-10		151601-0-02	D-41- 2				
148771-0-01	E-29		150950-0-01	C- 8		151602-0-01	E-25				
148821-0-01	F-17		150951-0-01	C- 9		151602-0-02	A-28				
148882-0-01	Z-20		150952-0-01	C- 6		151603-0-01	F-15- 9				
148890-1-01	Z-18		150954-0-01	C- 1		151604-0-01	D-17				
148976-0-01	E-49		150955-0-01	C- 3			F- 3				
148977-0-01	E-55		150956-0-01	B-60		151605-0-01	B- 2				
149991-0-01	D-34		150958-0-01	E-58			E- 3				
150106-0-01	Z-12- 6		150963-0-01	F-18			E-33- 2				
150139-0-01	Z-12-19		150964-0-01	F-53		153112-0-01	A- 3				
150151-0-01	Z-12		150965-0-01	F-52		153168-0-01	E-12				
150172-0-01	Z-12- 5		150967-0-01	F-40		153231-0-01	E-13				
150175-0-01	Z-12-17		150968-0-01	F-35		153483-0-01	F-44				
150179-0-01	Z-12- 7		150969-0-01	F-43		153876-0-01	A- 7				
150180-0-00	Z-12-10		150970-0-01	F-32		153877-0-01	B- 3				
150181-0-01	Z-12-19- 2		150971-0-01	F-56		153878-0-01	B-47				
150182-0-00	Z-12- 9			Z- 9		153879-0-01	B-47- 2				
150188-0-01	Z-12-13		150975-0-01	F-10		153880-0-01	E-51				
150189-0-01	Z-12-19- 1		150976-0-01	F-10- 1		153881-0-01	A-35				
150193-0-01	Z-12- 1		150977-0-01	F- 7		153882-0-01	E-61				
150202-0-01	Z-12- 6- 2		150978-0-01	F-15		153885-0-01	D-23				
150553-0-03	A-13		150980-0-01	F-15- 7		153886-0-01	A-35				
150554-0-01	C-13		150981-0-01	F-15- 8		153887-0-01	E-61				
150891-0-01	A- 5		150982-0-01	F-15- 4		153890-0-01	D-23				
150892-0-01	A- 1		150983-0-01	F-15- 5		153891-0-01	A-35				
150896-0-01	A-40		150984-0-01	F-15-10		153892-0-01	E-61				
150899-0-01	B-17		150985-0-01	F-15-12		153895-0-01	D-23				
150900-0-01	B-25		150986-0-01	F-15-13		153896-0-01	A-35				
150901-0-01	B-46		150987-0-01	F-15- 3		153897-0-01	E-61				
150902-0-01	B-46- 2		150988-0-01	G- 6		153900-0-01	D-23				
			150989-0-00	A- 9		153901-0-01	A-35				
150907-0-01	B-47- 3		150990-0-01	G-25		153902-0-01	E-61				
150908-0-01	B-48		150992-0-01	G- 5		153905-0-01	D-23				
150909-0-01	B-57		150993-0-01	G-20		153906-0-01	A-35				
150910-0-01	B-52		150994-0-00	G-19		153907-0-01	E-61				
150911-0-01	B-51		150995-0-00	B- 4		153910-0-01	D-23				
150912-0-00	B-29		150996-0-00	B-50		153911-0-01	F-28				
150913-0-01	B-38		150997-0-00	G-26		153912-0-01	F-55				
150914-0-01	B-33		150998-0-00	G-28		153913-0-01	F- 5				
150915-0-01	B-40		150999-0-00	G-32		153914-0-01	A-14				
150916-0-01	B-41		151000-1-00	G-33		180157-0-01	B-22				
150918-0-01	D- 7		151001-0-00	G-34		180321-0-01	E-28				
150919-0-01	D-10		151002-0-00	G-36		180949-0-01	F-47				
150920-0-01	D- 9		151003-0-00	G-40		180950-0-01	D- 6				
150921-0-01	D-12		151004-0-00	G-41		181486-0-01	F-46				
150922-0-01	D- 1		151005-0-00	G-38		182440-0-01	D-41				
150923-0-01	D-26		151006-0-01	F-27		183095-0-01	B-55				
150924-0-01	D-29		151007-1-01	G-53		183096-0-01	D-24				
150925-0-01	E-26		151010-0-01	A-14-13		183097-0-01	B-55				
150926-0-01	E-32		151011-0-01	A-14-15		183098-0-01	D-24				
150927-0-00	E-32- 1		151012-0-01	A-14-12		183099-0-01	B-55				
150928-0-01	E-33		151013-0-01	A-23		183100-0-01	D-24				
150930-0-01	E-41		151015-0-01	C-24		183101-0-01	B-55				
150931-0-01	C-25		151027-0-01	F-55- 2		183102-0-01	D-24				
150933-0-00	C-21		151029-0-01	F-55- 3- 2		183103-0-01	B-55				
150934-0-00	C-21- 1		151030-0-01	F-55- 3- 3		183104-0-01	D-24				
150935-0-01	C-17		151072-0-01	D-33		183105-0-01	B-55				
150936-0-01	C-18		151073-0-01	D-28		183106-0-01	D-24				

