

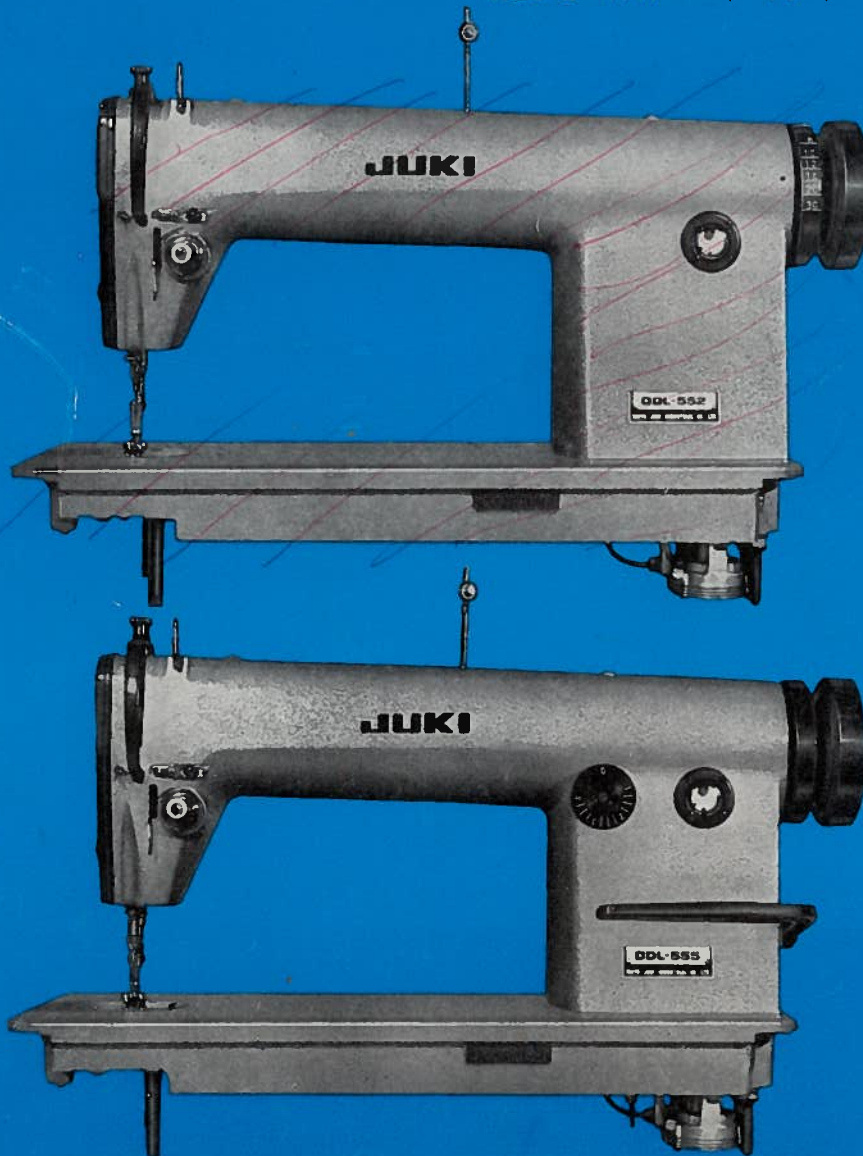
JUKI®

model **DDL-552-553-555**

High Speed Single Needle Lockstitch
Industrial Sewing Machines

PARTS * BOOK

REVISION No.15 (1976.7)



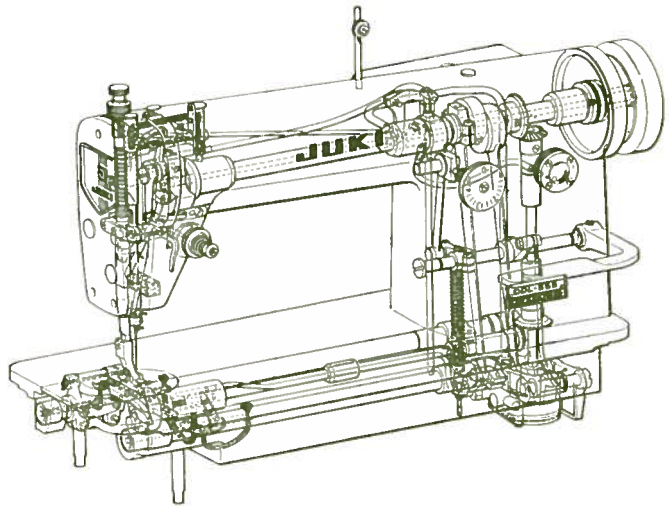
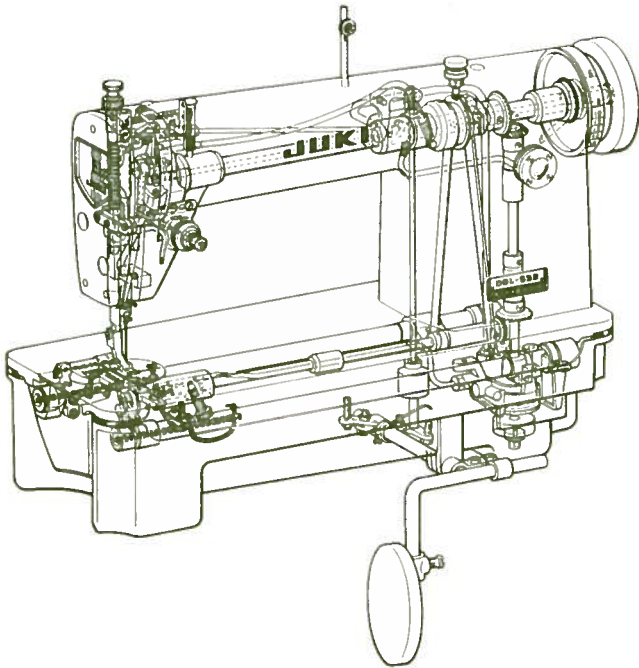
TOKYO JUKI INDUSTRIAL CO., LTD.

HOW TO MAKE USE OF THIS PARTS BOOK

1. This is a consolidated PARTS BOOK of Model DDL-552-DDL-553-DDL-555.
2. This list is divided, as a principle, into various sections according to the functions of parts and also contains illustrations to assist you visually.
For example, if you want some parts for the MACHINE FRAME & TENSION PARTS COMPONENTS, just refer to the section on "MACHINE FRAME & TENSION PARTS COMPONENTS" etc.
3. The figures on the illustrations indicate the corresponding numbers on the BOOK.
4. On bits and pieces parts such as screws, etc. the illustration shows only a representative one and so for the required quantity of these parts, refer to the BOOK.
5. Parts marked with * on the "Ref. No." column, mean these parts are one complete assembly unit.
6. The parts under "Amt. Req." column circled by \odot are parts included in the one assembly unit which is marked with * just above these parts.
7. When placing your order, please specify your order by the assembly unit number marked with * under the "Ref. No." column.

FOR EXAMPLE

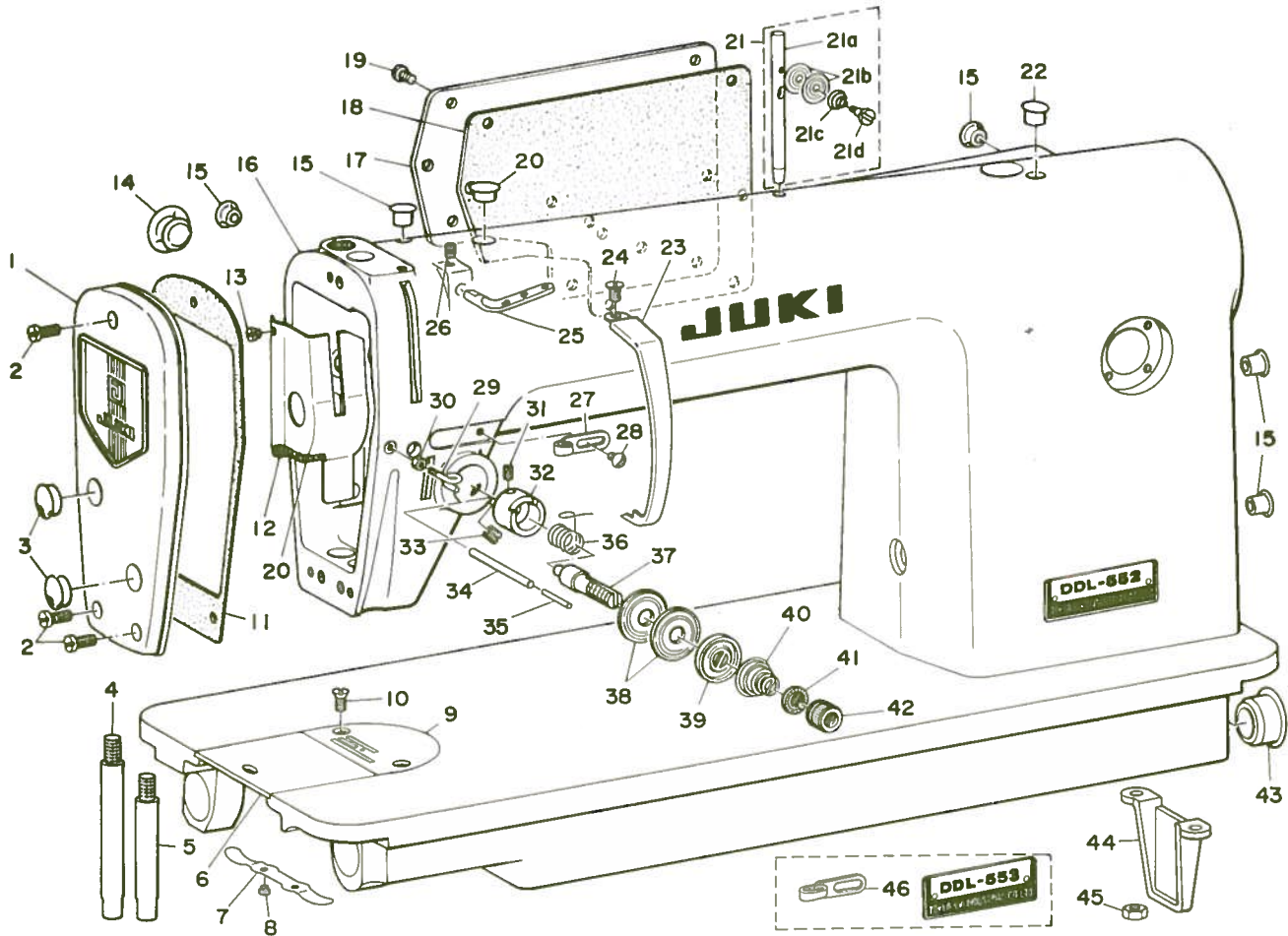
| Ref. No. | Part No. | Description | Amt. Req. | |
|----------|----------------|--------------|-----------|---|
| *1 | B-1111-111-0A0 | Name of part | 1 | Means one assembly unit |
| 2 | B-1111-111-000 | " " | \odot | Means this is included in the above B-1111-111-0A0 assembly unit. (This part can be sold as a single unit) |



CONTENTS

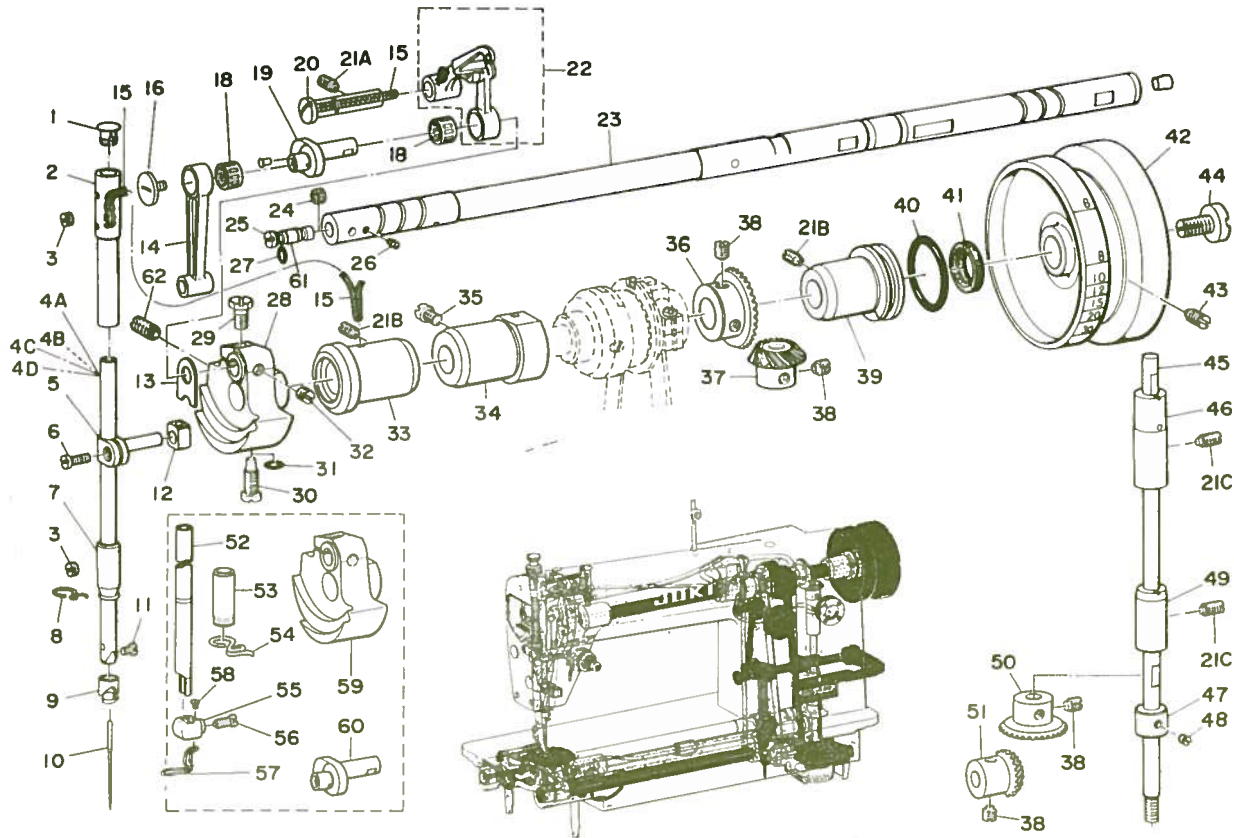
| | |
|---|---|
| 1. MACHINE FRAME & TENSION PARTS COMPONENTS | 1 |
| 2. NEEDLE BAR, MAIN SHAFT & UPRIGHT SHAFT COMPONENTS | 2 |
| 3. PRESSER BAR, LIFTING LEVER & HOOK DRIVING SHAFT COMPONENTS | 3 |
| 4. FEED ROCKER SHAFT & FEED DRIVING SHAFT COMPONENTS | 4 |
| 5. OIL LUBRICATION MECHANISM COMPONENTS | 5 |
| 6. OIL RESERVOIR & KNEE LIFTER COMPONENTS | 6 |
| 7. EXCLUSIVE PARTS FOR DDL-555 | 7 |
| 8. NUMERICAL INDEX OF PARTS..... | 8 |

1. MACHINE FRAME & TENSION PARTS COMPONENTS



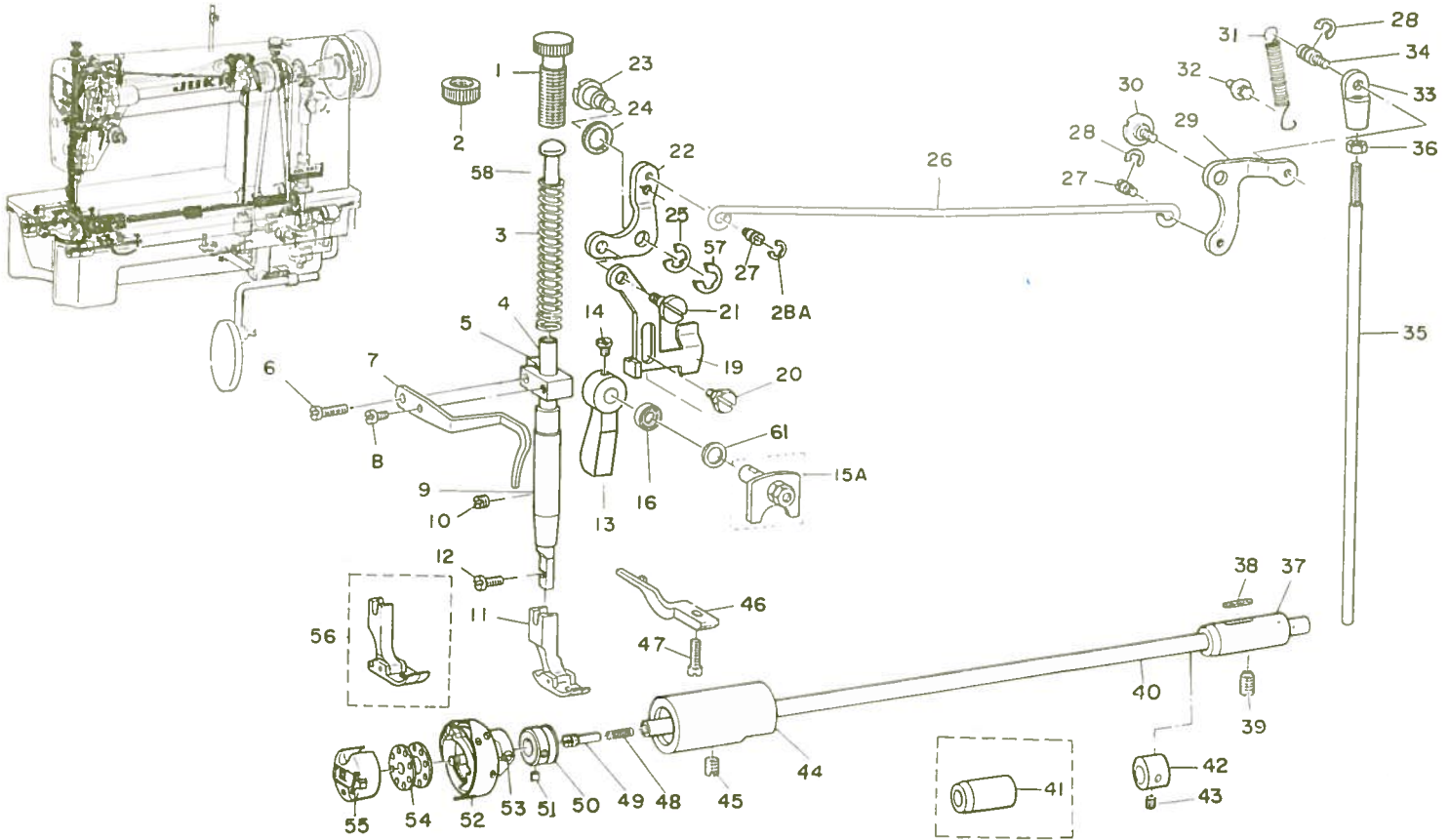
| Ref. No. | Part No. | Description | Amt. Req. | Ref. No. | Part No. | Description | Amt. Req. |
|----------|----------------|---|-----------|-----------------|--|--|-----------|
| 1 | B-1121-552-0A0 | Face plate | 1 | 23 | B-1123-552-000A | Thread take-up lever oil guard | 1 |
| 2 | SS-7111120-SP | . . . Screw | 3 | 24 | SS-7110510-SP | . . . Screw | 1 |
| 3 | B-1179-552-000 | . . . Rubber plug | 2 | 25 | B-1128-522-000 | Three-hole thread eyelet | 1 |
| 4 | B-1104-122-000 | Bed screw stud (A) | 1 | 26 | SS-8110510-SP | . . . Screw | 1 |
| 5 | B-1105-122-000 | Bed screw stud (B) | 1 | 27 | B-1126-552-000 | Frame thread guide (A) (DDL-552,5) | 1 |
| *6 | B-1110-012-0A0 | Bed slide, assembly | 1 | 28 | SS-5090610-SP | . . . Screw | 1 |
| 7 | B-1111-012-000 | Bed slide spring | ① | 29 | B-3114-761-000 | Frame thread guide (B) | 1 |
| 8 | SS-6060210-SP | . . . Screw | ② | 30 | NS-6060350-SP | . . . Set nut | 1 |
| 9 | B-1109-552-000 | Throat plate, for DDL-552 | 1 | *B-3111-552-0A0 | Tension post, assembly (Ref. No. 31, 32, 36~42) | 1 | |
| (9) | B-1109-543-000 | Throat plate, for DDL-553 | (1) | 31 | SS-8090670-SP | Screw | ① |
| 10 | SS-2110920-TP | . . . Screw | 2 | 32 | B-3111-552-B00 | Tension post socket | ① |
| 11 | B-1122-552-000 | Face plate gasket | 1 | 36 | B-3128-012-000 | Take-up spring | ① |
| 12 | B-1188-552-000 | Arm oil shield | 1 | 37 | B-3115-552-000 | Tension post | ① |
| 20 | CQ-2020000-00 | . . . Oil wick | 1 | 38 | B-3126-012-000 | Tension disc | ② |
| 13 | SS-6080410-SP | . . . Screw | 1 | 39 | B-3132-552-000 | Tension release washer | ① |
| (13) | SS-6080320-SP | . . . Screw, for DDL-553 | (1) | 40 | B-3129-012-A00 | Tension spring | ① |
| 14 | B-1164-012-000 | Rubber plug, large | 1 | 41 | B-3120-125-000 | Tension disc stop | ① |
| 15 | B-1117-552-000 | Rubber plug | 5 | 42 | B-3116-125-000 | Tension nut | ① |
| 16 | B-1101-552-0A0 | Machine frame & bed, assembly for DDL-552, 3 | 1 | 33 | SS-8150710-SP | Clamp screw, for socket | 1 |
| (16) | B-1101-555-0A0 | Machine frame & bed, assembly for DDL-555 | (1) | 34 | B-3127-127-000 | Tension release auxiliary pin | 1 |
| 17 | B-1118-522-000 | Side plate | 1 | 35 | B-3118-552-C00 | Tension release pin | 1 |
| 18 | B-1119-522-000 | . . . Gasket | 1 | 43 | B-1166-552-000A | Bed shaft rubber plug | 2 |
| 19 | SS-7110910-SP | . . . Screw | 8 | 44 | B-1106-122-000 | Bed leg | 1 |
| *21 | B-1113-155-0A0 | Needle thread guide pin, assembly | 1 | 45 | NS-6150310-SP | . . . Nut | 2 |
| 21a | B-1113-155-000 | Needle thread guide pin | ① | 46 | B-1126-553-000 | Frame thread guide (A), for DDL-553 | 1 |
| 21b | B-3148-123-000 | . . . Tension disc | ② | | | | |
| 21c | B-3149-123-A00 | . . . Tension spring | ① | | | | |
| 21d | SD-0380552-SL | . . . Hinge screw | ① | | | | |
| 22 | B-1186-552-000 | . . . Rubber plug | 2 | | | | |

2. NEEDLE BAR, MAIN SHAFT & UPRIGHT SHAFT COMPONENTS



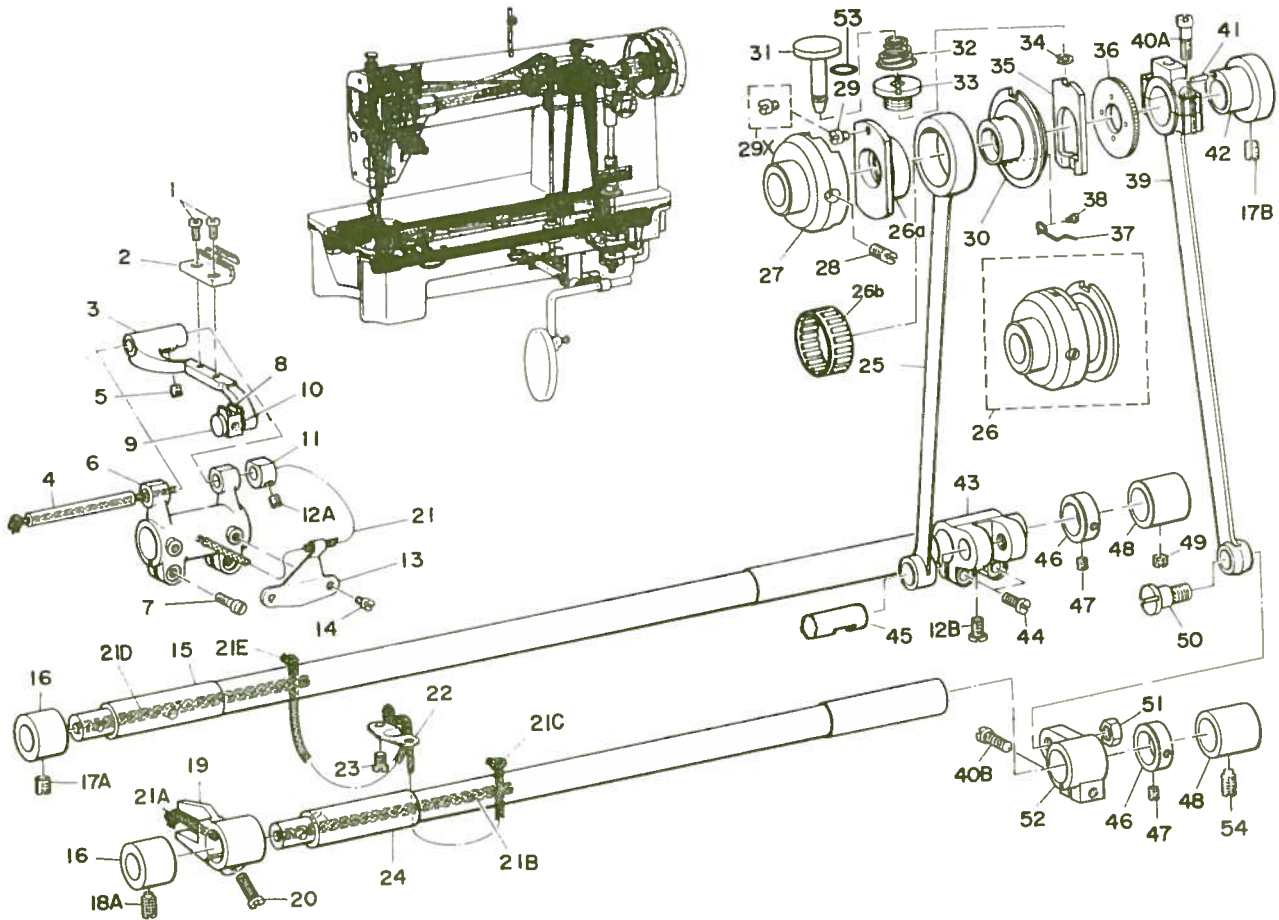
| Ref. No. | Part No. | Description | Amt. Req. | Ref. No. | Part No. | Description | Amt. Req. |
|----------|-----------------|--------------------------------------|-----------|---------------------------------|-----------------|---|-----------|
| 1 | B1405-012-000 | Rubber plug | 1 | (33) | B1202-552-B00 | Main shaft bushing, front (old type) | (1) |
| 2 | B1402-552-000-A | Needle bar bushing, upper | 1 | 21B | SS-8151150-SP | ... Screw | 2 |
| 3 | SS-8150310-SP | ... Screw | 1 | 34 | B1203-227-000 | Main shaft bushing, intermediate | 1 |
| 4A | B1401-552-A00 | Needle bar (A) | 1 | 35 | SS-7151120-SP | ... Screw | 1 |
| 4B | B1401-552-B00 | Needle bar (B) | (1) | *B1306-155-0A0 | | Gear, pinion & mitre gear complete, No.36, 37, 50, 51 | 1 |
| 4C | B1401-552-C00 | Needle bar (C) | (1) | 36 | B1305-012-000 | Gear | (1) |
| 4D | B1401-552-D00-A | Needle bar (D) | (1) | 37 | B1306-155-000 | Pinion | (1) |
| *5 | B1411-552-0A0 | Needle bar connection | 1 | 50 | B1307-155-000 | Mitre gear, large | (1) |
| 6 | SS-6090670-TP | ... Clamp screw | (1) | 51 | B1308-155-000 | Mitre gear, small | (1) |
| 7 | B1403-155-000 | Needle bar bushing, lower | 1 | 38 | SS-8660810-TP | ... Screw | (8) |
| 8 | B1419-155-000 | Needle bar thread guide | 1 | 39 | B1204-552-000 | Main shaft bushing, rear | 1 |
| 9 | B1418-541-000 | Needle thread guide | 1 | 40 | RO-2943101-00 | ... Rubber ring | 1 |
| 10 | MDB-257B1400 | Needle, DBx257(16x257) #14 | 1 | 41 | B1208-552-000-A | ... Oil seal | 1 |
| 11 | SS-7080510-SP | ... Clamp screw | 1 | 42 | B1217-552-000 | Hand wheel | 1 |
| 12 | B1414-232-000 | Needle bar connection slide block | 1 | 43 | SS-8151550-SP | ... Screw | 2 |
| 13 | B1212-552-A00 | Counterweight protecting plate | 1 | 44 | B1233-012-000 | ... End screw | 1 |
| 14 | B1408-552-000 | Needle bar link | 1 | 45 | B1301-552-000 | Upright shaft | 1 |
| 15 | CQ-2020000-00 | Oil wick | 1 | 46 | B1302-552-B00 | ... Bushing, upper | 1 |
| 19 | B1209-552-000 | Needle bar crank | 1 | 21C | SS-8151150-SP | ... Screw | 2 |
| 16 | B1903-552-000 | ... End screw, left hand | (1) | *47 | CS-0791016-SH | Thrust collar | 1 |
| 18 | B1905-541-B00 | Needle bearing | 2 | 48 | SS-8110520-TP | ... Screw | (2) |
| 22 | B1901-552-0A0 | Take-up lever, assembly | 1 | 49 | B1303-552-B00 | ... Bushing, lower | 1 |
| 20 | B1904-552-000 | Take-up lever pin | 1 | 61 | B1215-552-000 | Oil adjusting collar | 1 |
| 21A | SS-8151150-SP | ... Screw | 1 | | | | |
| 23 | B1201-552-000 | Main shaft, for DDL-552,3 | 1 | - EXCLUSIVE PARTS FOR DDL-553 - | | | |
| 24 | B1226-552-000 | ... Roller felt | 1 | (10) | MDB-257B1800 | Needle, DBx257, 16x257, #18 | 1 |
| 25 | B1213-552-000 | ... Oil adjusting pin | 1 | 52 | B1401-553-A00 | Needle bar (A) | 1 |
| 26 | B1224-552-000 | ... Screw | 1 | 53 | B1403-553-000 | ... Bushing, lower | 1 |
| 27 | RO-0291801-00 | ... Rubber ring | 1 | 54 | B1419-553-000 | ... Thread guide | 1 |
| 28 | B1206-552-000 | Counterweight | 1 | 55 | B1416-543-0A0 | Needle-holding clamp (with screw) | 1 |
| 29 | SS-9661120-CP | ... Clamp screw, for crank | 1 | 56 | B1423-543-000 | ... Screw | 1 |
| 30 | SS-7681650-TP | ... Screw (A) | 1 | 57 | B1418-543-000 | Needle thread guide | 1 |
| 62 | SS-8681950-SP | ... Screw (B) | 1 | 58 | SS-5060310-SP | ... Screw | 1 |
| 31 | RO-0442401-00 | ... Rubber ring | 1 | 59 | B1206-553-000 | Counterweight | 1 |
| 32 | SS-8660610-TP | ... Screw, for crank | 1 | 60 | B1209-553-000 | Needle bar crank | 1 |
| 33 | B1202-552-B00-A | Main shaft bushing, front (new type) | 1 | | | | |

3. PRESSER BAR, LIFTING LEVER & HOOK DRIVING SHAFT COMPONENTS



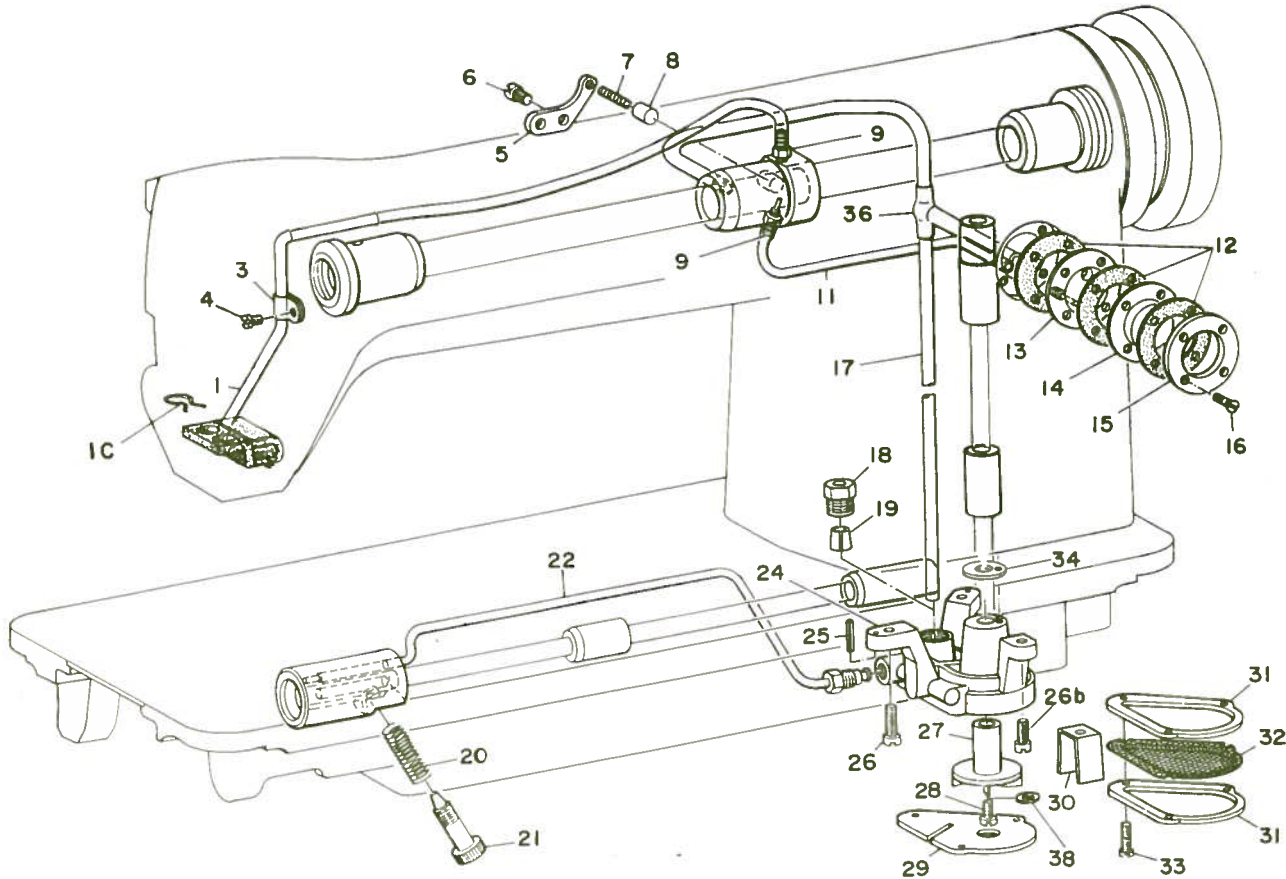
| Ref. No. | Part No. | Description | Amt Req. | Ref. No. | Part No. | Description | Amt. Req. |
|----------|-----------------|------------------------------------|----------|----------|----------------|--|-----------|
| 1 | B-1509-227-000 | Presser spring regulator | 1 | 29 | B-3414-552-000 | Lifting lever link, right | 1 |
| 58 | B-1510-227-000 | Presser guide bar | 1 | 30 | SD-0720331-SP | ... Hinge screw | 1 |
| 2 | NS-2820850-SA | ... Nut | 1 | 31 | B-3417-552-000 | ... Spring | 1 |
| 3 | B-1505-227-000A | Presser spring | 1 | 32 | B-3413-227-000 | ... Suspension screw | 1 |
| (3) | B-1505-552-000A | Presser spring (DDL-553) | (1) | 33 | B-3416-012-000 | Swivel | 1 |
| 4 | B-1501-127-000 | Presser bar | 1 | 34 | B-3418-552-000 | ... Screw | 1 |
| 5 | B-1507-552-000 | Presser bar guide bracket | 1 | 35 | B-3415-552-000 | Lifting lever connecting rod, vertical | 1 |
| 6 | SS-7111410-SP | ... Clamp screw | 1 | 36 | NS-6620310-SP | ... Nut | 1 |
| 7 | B-1521-552-000 | Slack thread regulator | 1 | 37 | B-1804-552-B00 | Hook driving shaft bushing rear | 1 |
| 8 | SS-6090650-SP | ... Screw | 1 | 38 | B-1806-038-000 | ... Oil felt | 1 |
| 9 | B-1502-541-000 | Presser bar bushing, lower | 1 | 39 | SS-8151550-SP | ... Screw | 1 |
| 10 | SS-8150310-SP | ... Screw | 1 | 40 | B-1801-412-000 | Hook driving shaft | 1 |
| 11 | B-1524-012-0A0 | Presser foot assembly, for DDL-555 | 1 | 41 | B-1803-552-000 | ... Bushing, intermediate | 1 |
| (11) | B-1524-552-0A0 | Presser foot assembly, for DDL-552 | (1) | 44 | B-1802-412-0A0 | ... Bushing, front(assembly) | 1 |
| 56 | B-1511-543-BA0 | Presser foot assembly, for DDL-553 | (1) | 45 | SS-8151150-SP | ... Screw | 1 |
| 12 | SS-7091110-SP | ... Screw | 1 | 46 | B-1835-012-000 | Bobbin case holder positioning finger | 1 |
| 13 | B-1520-552-000 | Hand lifter | 1 | 47 | SS-6111010-SP | ... Screw | 1 |
| 14 | SS-7120910-SP | ... Screw | 1 | *49 | B-1808-552-0A0 | Oil seal screw | 1 |
| *15A | B-1518-552-0A0 | Hand lifter cam, assembly | 1 | 48 | B-1810-552-000 | Oil wick | ① |
| 61 | WP-0740516-SP | Washer, for hand lifter hinge pin | 1 | 50 | CS-0791066-SH | Hook driving shaft thrust collar | 1 |
| 16 | B-1522-552-000 | ... Oil seal ring | 1 | 51 | SS-8110410-TP | ... Screw | 2 |
| 19 | B-1515-552-000 | Lifting lever | 1 | *52 | B-1830-127-0A0 | Hook, assembly | 1 |
| 20 | SD-0630275-SP | ... Hinge screw (A) | 1 | 53 | SS-6110560-TP | ... Screw | ② |
| 21 | SD-0630301-SP | ... Hinge screw (B) | 1 | 54 | B-9117-012-000 | Bobbin | 1 |
| 22 | B-1516-552-000 | ... Link, left | 1 | 55 | B-1837-012-0A0 | Bobbin case, assembly | 1 |
| 23 | B-1517-552-000 | ... Hinge pin | 1 | 42 | CS-0791016-SH | Thrust collar (B) | 1 |
| 24 | B-3431-581-000 | ... Gasket | 1 | 43 | SS-8110520-TP | ... Screw | 2 |
| 25 | RE-0600000-K0 | ... Snap ring | 1 | | | | |
| 57 | B-1523-226-000 | ... Snap ring (B) | 1 | | | | |
| 26 | B-3412-552-000 | Lifting lever connecting rod | 1 | | | | |
| 27 | B-3416-552-000 | ... Hinge screw | 1 | | | | |
| 28 | RE-0500000-K0 | ... Snap ring | 3 | | | | |

4. FEED ROCKER SHAFT & FEED DRIVING SHAFT COMPONENTS



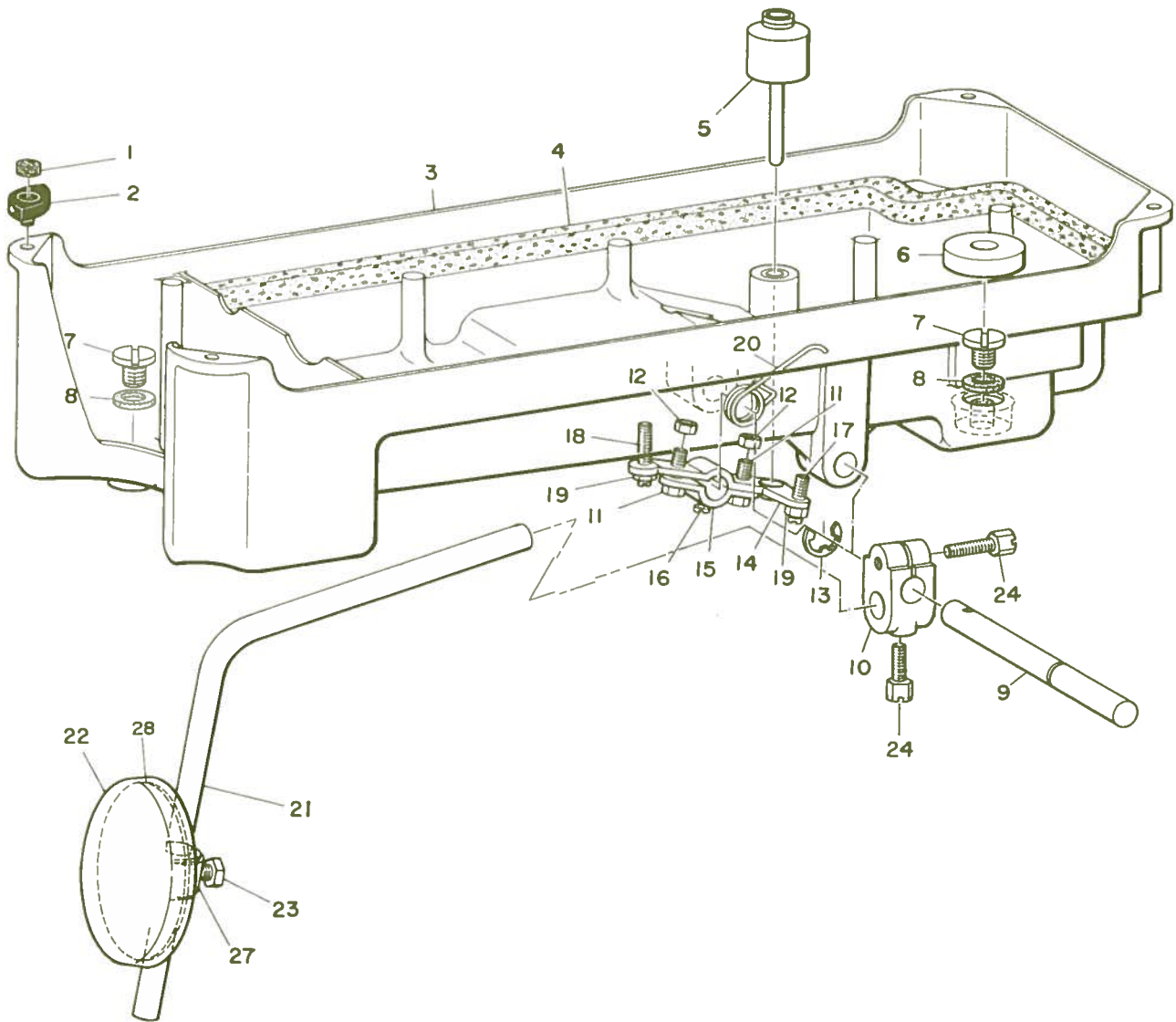
| Ref. No. | Part No. | Description | Amt. Req. | Ref. No. | Part No. | Description | Amt. Req. |
|----------|-----------------|------------------------------------|-----------|----------|-----------------|------------------------------------|-----------|
| 1 | SS-4080620-TP | Screw | 2 | 26a | B1610-552-000-A | Feed eccentric | ① |
| 2 | B1613-552-000 | Feed dog, for DDL-552 | 1 | 26b | B1426-352-B00 | ... Needle bearing | ① |
| (2) | B1613-543-000 | Feed dog, for DDL-553 | (1) | 29 | B1615-552-000 | ... Positioning screw | ① |
| *3 | B1602-155-0B0 | Feed bar | 1 | 29x | B1615-553-000 | ... Positioning screw, for DDL-553 | (1) |
| 5 | SS-8620610-TP | ... Clamp screw | ① | 30 | B1612-552-000-A | Stitch regulator | ① |
| 4 | B1604-012-000 | Feed bar shaft | 1 | 31 | B1618-552-0A0-A | Thumb screw stud, assembly | 1 |
| 6 | B1603-155-000 | Feed locker | 1 | 32 | B3118-352-000 | ... Spring | 1 |
| 7 | SS-7111310-TP | ... Clamp screw | 2 | 33 | B1621-552-000 | ... Guide | 1 |
| 11 | CS-0640863-SH | Thrust collar | 1 | 34 | RE-0500000-KE | ... Snap ring | 1 |
| 12A | SS-8110510-SP | ... Screw | 2 | 35 | B1623-552-000 | Ratchet pawl | 1 |
| 13 | B1609-155-000 | Oil wick holder | 1 | 36 | B1619-155-000 | Ratchet gear | 1 |
| 14 | SS-6080410-SP | ... Screw | 2 | 37 | B1624-552-000 | Ratchet pawl spring | 1 |
| 15 | B1601-552-000 | Feed rocker shaft | 1 | 38 | SD-0260271-SP | ... Screw | 1 |
| 16 | B1604-155-000 | Bushing, front | 2 | 39 | B1708-555-000 | Connecting rod | 1 |
| 17A | SS-8150710-SP | ... Screw | 1 | 40A | SS-6121610-SP | ... Screw | 2 |
| 18A | SS-8151550-SP | ... Screw | 1 | 42 | B1709-552-000 | Feed driving eccentric | 1 |
| 19 | B1704-155-000 | Feed driving shaft crank, front | 1 | 17B | SS-8150710-SP | ... Screw | 2 |
| 20 | SS-7111120-SP | ... Clamp screw | 1 | 41 | B1620-155-000 | Ratchet pawl connecting pin | 1 |
| 21 | CQ-2020000-00 | Oil wick | 1 | *43 | B1607-155-0A0-A | Feed rocker shaft crank | 1 |
| 21A | CQ-2020000-00 | Oil wick | 1 | 44 | SS-7121410-SP | ... Clamp screw | 2 |
| 21B | CQ-3030000-00 | Oil wick | 1 | 12B | SS-7110710-SP | ... Screw | 1 |
| 21C | CQ-3030000-00 | Oil wick | 1 | 45 | B1611-155-000-A | ... Hinge screw | 1 |
| 21D | CQ-3030000-00 | Oil wick | 1 | 46 | CS-1471212-SH | Thrust collar | 2 |
| 21E | CQ-3030000-00 | Oil wick | 1 | 47 | SS-8660610-TP | ... Screw | 4 |
| 22 | B1635-552-000 | Oil wick holder | 1 | 48 | B1702-155-000 | Bushing, rear | 2 |
| 23 | SS-7110540-SP | ... Screw | 2 | 49 | SS-8150410-SP | ... Screw | 1 |
| 24 | B1702-552-000 | Feed driving shaft | 1 | 18B | SS-8150710-SP | ... Screw | 1 |
| 25 | B1609-552-000 | Feed rocker shaft connecting rod | 1 | 50 | SD-1020701-SP | Hinge screw | 1 |
| *26 | B1610-552-0A0-A | Feed eccentric, complete (DDL-552) | 1 | 51 | NS-6680410-SP | ... Nut | 1 |
| (26) | B1610-553-0A0-A | Feed eccentric, complete (DDL-553) | 1 | 52 | B1703-155-000 | Feed driving shaft crank, rear | 1 |
| 27 | B1611-552-000-A | Feed eccentric body | ① | 40B | SS-6121610-TP | ... Clamp screw | 1 |
| 28 | SS-8661430-SP | ... Screw | ② | 53 | RO-0611801-00 | Rubber ring | 1 |

5. OIL LUBRICATION MECHANISM COMPONENTS



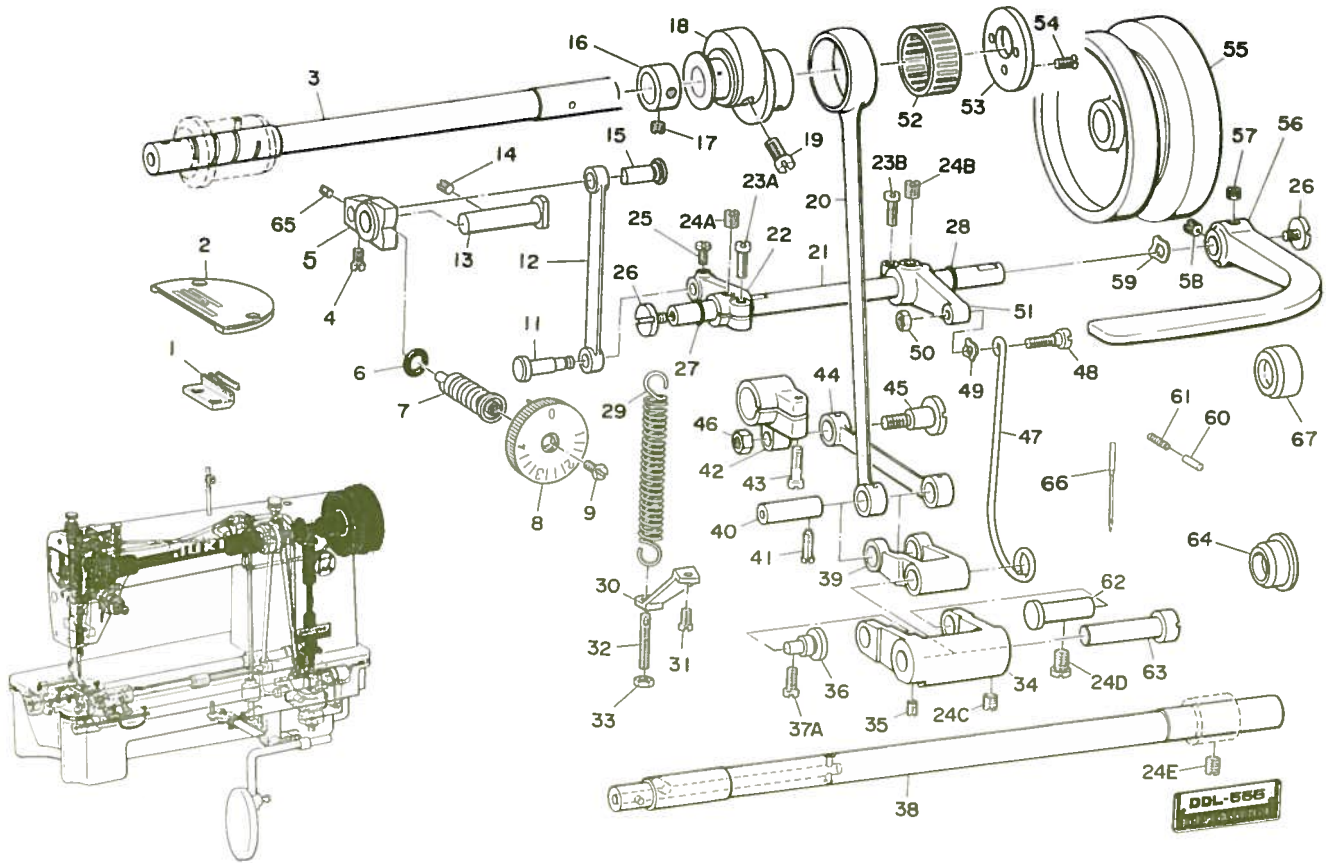
| Ref. No. | Part No. | Description | Amt. Req. | Ref. No. | Part No. | Description | Amt. Req. |
|----------|----------------|---------------------------|-----------|----------|----------------|---------------------------------------|-----------|
| 1 | B-3528-552-0A0 | Oil sponge assembly | 1 | 21 | B-3514-412-000 | Oil adjusting screw | 1 |
| 1C | B-3529-226-000 | . . . Presser | 1 | 22 | B-3521-552-0A0 | Hook driving shaft oil tube, assembly | 1 |
| 3 | B-3536-122-000 | Oil return tube holder | 1 | 24 | B-3501-552-0A0 | Lubricating oil pump (with pin) | 1 |
| 4 | SS-7110710-SP | . . . Screw | 1 | 25 | PS-0200122-K0 | . . . Spring pin | 2 |
| 5 | B-3524-552-000 | Plunger thrust plate | 1 | 26 | SS-7121410-SP | . . . Screw | 3 |
| 6 | SS-7110910-SP | . . . Screw | 2 | (26) | SS-7121410-SP | Screw (A), for DDL-555 | 2 |
| 7 | B-1214-038-000 | . . . Spring | 1 | (26b) | SS-6121210-SP | Screw (B), for DDL-555 | 1 |
| 8 | B-3534-155-000 | Lubrication pump plunger | 1 | 27 | B-3507-155-000 | . . . Impeller | 1 |
| 9 | SQ-1110402-MZ | Oil tube connecting screw | 2 | 28 | SS-6081010-TP | Screw | 1 |
| 11 | BP-3000000-00 | Oil sight window oil tube | 1 | 38 | WP-0550800-SP | . . . Washer | 1 |
| 12 | B-3516-552-000 | Oil sight window gasket | 3 | 29 | B-3502-122-000 | Cover | 1 |
| 13 | B-3531-552-000 | Oil sight window base | 1 | 30 | B-3545-122-000 | . . . Oil guard | 1 |
| 14 | B-3513-352-000 | Oil sight window | 1 | 31 | B-3503-122-000 | . . . Frame | 2 |
| 15 | B-3514-552-000 | Oil sight window frame | 1 | 32 | B-3504-155-000 | . . . Filter screen | 1 |
| 16 | SS-2091520-SP | . . . Screw | 4 | 33 | SS-6081210-SP | . . . Screw, for cover | 3 |
| 17 | B-3513-227-000 | Main shaft oil pipe | 1 | 34 | B-3510-552-000 | Thrust collar rotation stopper plate | 1 |
| 18 | B-3512-122-000 | . . . Clamp sleeve nut | 1 | 36 | B-3527-552-000 | Lubrication pipe rubber joint | 1 |
| 19 | B-3511-122-000 | . . . Clamp sleeve nut | 1 | | | | |
| 20 | B-2616-372-000 | Spring | 1 | | | | |

6. OIL RESERVOIR & KNEE LIFTER COMPONENTS



| Ref. No. | Part No. | Description | Amt. Req. | Ref. No. | Part No. | Description | Amt. Req. |
|----------|-----------------|--|-----------|-----------------|---|-------------------------------------|-----------|
| * | B8217-552-0C0 | Oil reservoir complete (Ref. No. 1~20, 24) | 1 | 13 | B-3426-552-000 | Thrust ring | ① |
| * | B8217-552-0A0 | Oil reservoir assembly (Ref. No. 1~4, 7, 8) | 1 | 14 | B-3425-552-000 | Lifter lever (B) | ① |
| 1 | B-8227-125-000 | Felt pad | 4 | 15 | B-3424-552-000 | Lifting lever (A) | ① |
| 2 | B-8226-125-000 | Rubber pad | 4 | 16 | SS-9151120-SR | Screw | ① |
| 5 | B-3421-552-0A0 | Knee press lifter rod, assembly | 1 | 17 | SS-8152080-SR | Positioning screw (B) | ① |
| 6 | B-8228-125-000 | Oil reservoir magnet | 1 | 18 | SS-8153010-SR | Positioning screw (A) | ① |
| 3 | B-8217-552-000 | Oil reservoir | ① | 19 | NS-6150430-SR | Nut | ② |
| 4 | B-8218-552-000 | Gasket | ① | 20 | B-3429-552-000 | Spring | ① |
| 7 | SS-6741010-SP | Oil drain cap screw | ② | 24 | SS-9182010-SN | Clamp screw, for No. 10 | ② |
| 8 | B-8219-125-000 | Gasket | ② | *B-3419-552-0A0 | Knee lifter plate rod complete (No. 21~23, 27, 28) | ① | |
| | *B-3420-552-0A0 | Knee press rod complete (Ref. No. 9~20, 24) | ① | 21 | B-3419-122-000 | Knee lifter plate rod | ① |
| 9 | B-3420-552-000 | Knee press rod | ① | 22 | B-3431-552-000 | Knee press plate cover | ① |
| 10 | B-3427-122-000 | Bearing bracket | ① | 23 | SM-9061003-SE | Screw, for knee press plate stopper | ① |
| 11 | SS-9151540-SR | Clamp screw | ② | 27 | B-3432-552-000 | Knee press plate stopper | ① |
| 12 | NS-6150430-SR | Nut | ② | 28 | B-3430-552-000 | Knee press plate | ① |

7. EXCLUSIVE PARTS FOR DDL-555

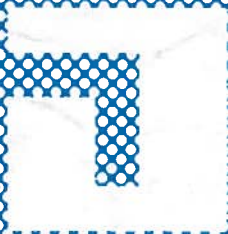


| Ref. No. | Part No. | Description | Amt. Req. | Ref. No. | Part No. | Description | Amt. Req. |
|----------|-----------------|-----------------------------------|-----------|----------|-----------------|---|-----------|
| 1 | B-1613-012-A00 | Feed dog (A) | 1 | 35 | SS-8620610-SP | ... Screw (B) | 1 |
| 2 | B-1109-012-A00 | Throat plate (A) | 1 | 36 | B-1619-555-000 | ... Hinge pin | 1 |
| 3 | B-1201-555-000 | Main shaft | 1 | 37A | SS-711120-SP | ... Screw | 1 |
| 5 | B-1620-161-000 | Feed regulator | 1 | 38 | B-1701-555-000 | Feed driving shaft | 1 |
| 4 | SS-7110720-SP | ... Screw (A) | 1 | 39 | B-1614-555-000 | Feed driving rocker arm | 1 |
| 65 | SS-8110510-SP | ... Screw (B) | 1 | 40 | B-1633-555-000 | ... Connecting pin | 1 |
| 6 | RO-0742401-00 | Rubber ring | 1 | 41 | SS-7111260-SP | ... Screw | 1 |
| 7 | B-1634-555-000B | Stitch length regulating screw | 1 | 42 | B-1608-161-000 | Feed rocker shaft crank, rear | 1 |
| 8 | B-1623-555-0A0A | Feed regulator dial, assembly | 1 | 43 | SS-6121610-TP | ... Clamp screw | 1 |
| 10 | B-1648-012-000 | ... Stop pin | 1 | 44 | B-1613-555-000 | Connecting rod | 1 |
| 9 | SS-6121050-SP | ... Screw | 1 | 45 | SD-1020701-SP | ... Hinge screw | 1 |
| 11 | B-1628-555-000 | Tension spring suspension stud | 1 | 46 | NS-6680330-SP | ... Nut | 1 |
| 12 | B-1625-555-000 | Feed regulator connecting rod | 1 | 47 | B-1630-555-000 | Feed driving rocker arm connecting rod | 1 |
| 13 | B-1622-555-000 | Feed regulator hinge pin | 1 | 48 | SD-0500401-SP | ... Hinge screw | 1 |
| 14 | SS-8151230-SP | ... Screw | 1 | 49 | WZ-0541510-KP | ... Washer | 1 |
| 15 | B-1626-555-000 | Feed regulator connecting rod pin | 1 | 50 | NS-6120310-SP | ... Nut | 1 |
| 16 | CS-1471212-SH | Thrust collar | 1 | 51 | B-1629-555-000 | Control lever crank, rear | 1 |
| 17 | SS-8660610-TP | ... Screw | 2 | 24B | SS-8150710-SP | ... Screw | 1 |
| 18 | B-1610-555-0A0 | Feed eccentric | 1 | 23B | SS-6121210-SP | ... Clamp screw | 1 |
| 19 | SS-6661110-SP | ... Screw | 2 | 52 | B-1636-581-000 | Needle bearing | 1 |
| 20 | B-1612-161-000 | Feed rocker shaft connecting rod | 1 | 53 | B-1611-161-000 | Feed eccentric thrust washer | 1 |
| 21 | B-1621-555-000 | Reverse feed control lever shaft | 1 | 54 | SS-2110930-SP | ... Screw | 3 |
| 22 | B-1627-555-000 | ... Crank | 1 | 55 | B-1217-555-0A0 | Hand wheel, assembly | 1 |
| 23A | SS-6121210-SP | ... Clamp screw | 1 | 56 | B-1624-555-000 | Reverse feed control lever | 1 |
| 24A | SS-8150710-SP | ... Screw | 1 | 57 | SS-8660970-TP | ... Screw (A) | 1 |
| 25 | SS-7110910-SP | Screw, for suspension stud | 1 | 58 | SS-8660810-TP | ... Screw (B) | 1 |
| 26 | SS-7620750-SP | End screw | 2 | 59 | WZ-1052010-KP | ... Washer | 1 |
| 27 | RO-0611801-00 | Rubber ring, small | 1 | 60 | B-1147-555-000 | Feed regulating stop pin | 1 |
| 28 | RO-0691801-00 | Rubber ring, large | 1 | 61 | B-1148-555-000 | ... Spring | 1 |
| 29 | B-1646-555-000 | Tension spring | 1 | 62 | B-1618-161-000 | Feed driving rocker arm hinge pin | 1 |
| 30 | B-1632-555-000 | ... Suspension bracket | 1 | 24D | SS-7151120-SP | ... Screw | 1 |
| 31 | SS-7111120-SP | ... Screw | 1 | 63 | B-1615-555-000 | Feed driving rocker hinge pin | 1 |
| 32 | B-1649-161-000 | ... Adjusting screw | 1 | 24E | SS-8150710-SP | Screw, for feed driving shaft bushing, rear | 1 |
| 33 | NS-6110420-SP | ... Nut | 2 | 66 | MDB-100B1400 | Needle (DB X 1 #14) | 1 |
| 34 | B-1617-555-000 | Feed driving rocker | 1 | 64 | B-1166-552-000A | Rubber plug for feed driving shaft | 1 |
| 24C | SS-8150710-SP | ... Screw (A) | 1 | 67 | B-1189-415-000 | Rubber plug for feed regulator | 1 |

| Part No. | Page | Ref. No. |
|---------------|--------|----------|
| SS-7111120-SP | 7-31 | |
| SS-7111120-SP | 7-37A | |
| SS-7111260-SP | 7-41 | |
| SS-7111310-TP | 4-7 | |
| SS-7111410-SP | 3-6 | |
| SS-7111410-SP | 4-44 | |
| SS-7121410-SP | 5-(26) | |
| SS-7121410-SP | 5-26 | |
| SS-7120910-SP | 3-14 | |
| SS-7151120-SP | 2-35 | |
| SS-7151120-SP | 7-24D | |
| SS-7620750-SP | 7-26 | |
| SS-7681750-TP | 2-30 | |
| SS-8090670-SP | 1-31 | |
| SS-8110410-TP | 3-51 | |
| SS-8110510-SP | 1-26 | |
| SS-8110510-SP | 7-65 | |
| SS-8110510-SP | 4-12A | |
| SS-8110520-TP | 2-48 | |
| SS-8110520-TP | 3-43 | |
| SS-8150310-SP | 2-3 | |
| SS-8150310-SP | 3-10 | |
| SS-8150410-SP | 4-49 | |
| SS-8150710-SP | 1-33 | |
| SS-8150710-SP | 4-17A | |
| SS-8150710-SP | 4-17B | |
| SS-8150710-SP | 4-18B | |
| SS-8150710-SP | 7-24A | |
| SS-8150710-SP | 7-24B | |
| SS-8150710-SP | 7-24C | |
| SS-8150710-SP | 7-24E | |
| SS-8150710-TP | 7-14 | |
| SS-8151150-SP | 2-21A | |
| SS-8151150-SP | 2-21B | |
| SS-8151150-SP | 2-21C | |
| SS-8151150-SP | 3-45 | |
| SS-8151230-SP | 7-14 | |
| SS-8151550-SP | 2-43 | |
| SS-8151550-SP | 3-39 | |
| SS-8151550-SP | 4-18A | |
| SS-8152080-SR | 1-17 | |
| SS-8153010-SR | 6-18 | |
| SS-8182010-SN | 6-24 | |
| SS-8620610-SP | 7-35 | |
| SS-8620610-TP | 4-5 | |
| SS-8660410-TP | 7-57 | |
| SS-8660610-TP | 2-32 | |
| SS-8660610-TP | 4-47 | |
| SS-8660610-TP | 7-17 | |
| SS-8660810-TP | 7-58 | |
| SS-8660810-TP | 2-38 | |
| SS-8661430-SP | 4-28 | |
| SS-8681950-SP | 2-62 | |
| SS-9151120-SR | 6-16 | |
| SS-9151540-SR | 6-11 | |
| SS-9661120-CP | 2-29 | |

WASHER

| | |
|---------------|------|
| WP-0550800-SP | 5-38 |
| WP-0740516-SP | 3-61 |
| WZ-0541510-KP | 7-49 |
| WZ-1052010-KP | 7-59 |



JUKI®
TOKYO JUKI INDUSTRIAL CO.,LTD.

Business Office : Kabuki-cho, Shinjuku-ku, Tokyo, Japan
Cable Address : JUKI TOKYO
Telex : 22967 JUKITK
Telephone : Tokyo 203-8241

