

PARTS LIST

MO-6700S Series PARTS LIST

下記 URL (PARTS Website/PC サイト) より、便利な検索機能のついた Web Parts Book をご利用頂けます。
ご利用には会員登録が必要です。(無料)

<https://juki.aftama.com/JUKI/JA>

You can use a Web Parts Book with a convenient search function from the URLs (PARTS Website/PC-site)
below. To use the PARTS Website, free membership registration is required.

<https://juki.aftama.com/JUKI/EN>

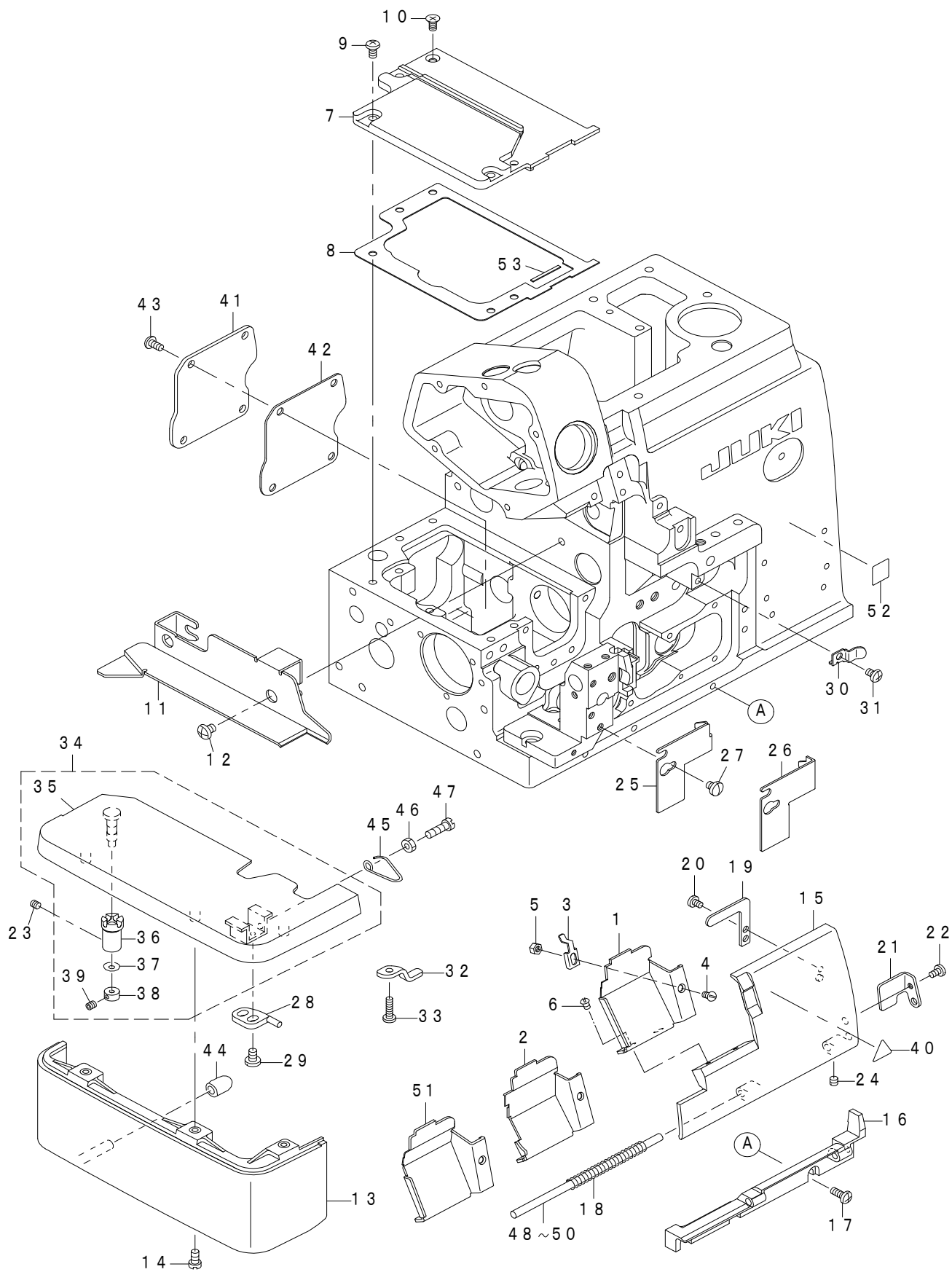
HOW TO MAKE USE OF THIS PARTS LIST

- 1.As to "#01" and "#02" refer to the "Note" given at the bottom of the respective pages.
- 2.Codes on the "Qty" column
 - Each numeral indicates the number of parts required.
 - "0.1" and "2.5" indicate the length (in meters) of the respective parts.
- 3.Parentheses mean that the corresponding part is a subpart that constructs an assembly part.
- 4.Dotted lines on the Figures indicate assembly parts.

CONTENTS

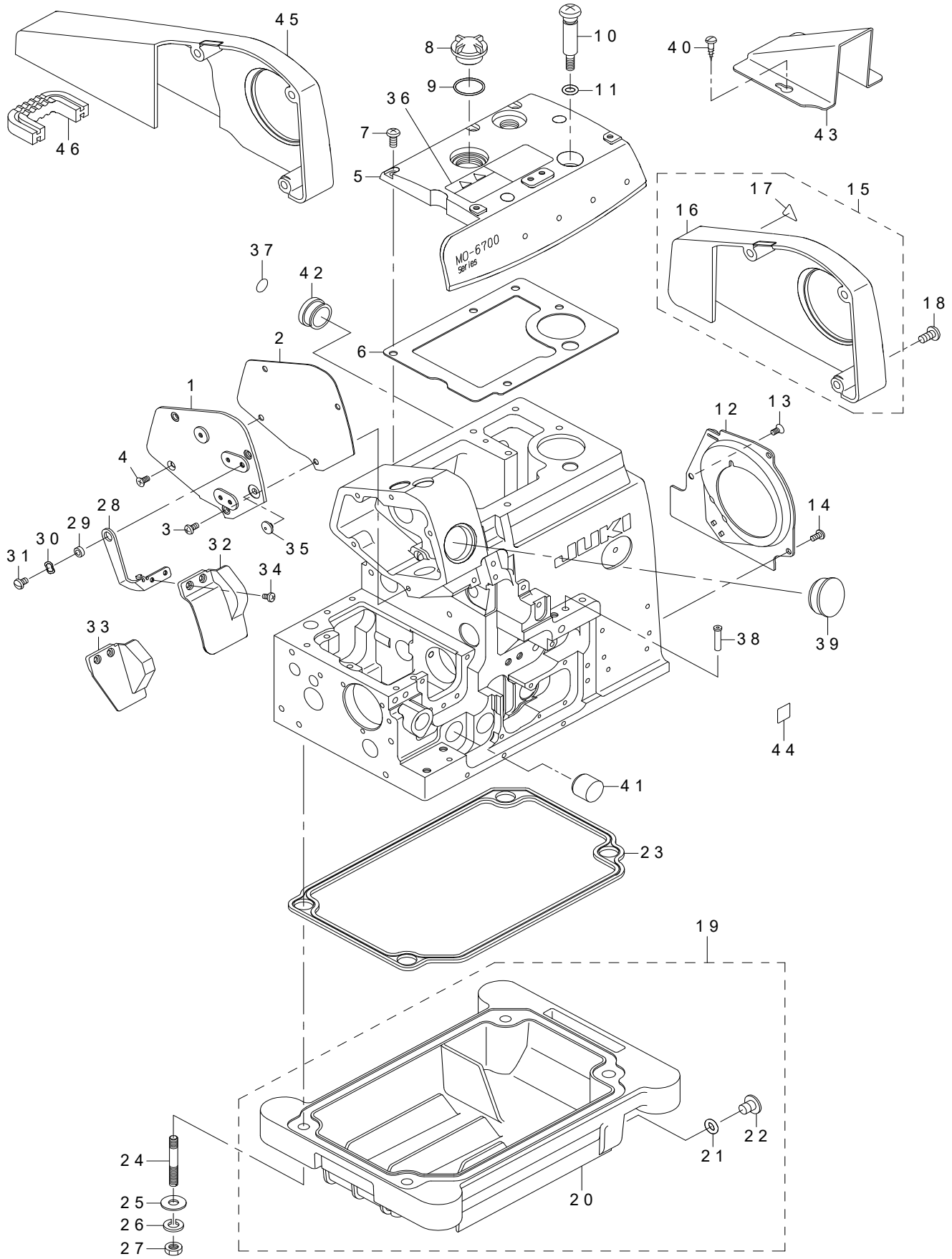
1. MISCELLANEOUS COVER COMPONENTS (1).....	1
2. MISCELLANEOUS COVER COMPONENTS (2).....	3
3. CRANKSHAFT COMPONENTS	5
4. NEEDLE DRIVING SHAFT COMPONENTS	7
5. FEED MECHANISM COMPONENTS (1).....	9
6. FEED MECHANISM COMPONENTS (2).....	11
7. UPPER & LOWER LOOPER COMPONENTS.....	13
8. CHAIN LOOPER COMPONENTS (FOR MO-6716S).....	15
9. PRESSER FOOT COMPONENTS (1).....	16
10. PRESSER FOOT COMPONENTS (2).....	17
11. THREAD TENSION COMPONENTS.....	19
12. LOWER KNIFE COMPONENTS.....	21
13. UPPER KNIFE COMPONENTS.....	23
14. NEEDLE COOLING MECHANISM COMPONENTS (FOR SH).....	24
15. LUBRICATION MECHANISM COMPONENTS	25
16. SEMI-SUNKEN TYPE TABLE COMPONENTS.....	27
17. FULLY-SUNKEN TYPE TABLE COMPONENTS	28
18. STAND COMPONENTS (Z / T).....	29
19. THREAD STAND COMPONENTS (FOR MO-6704S,MO-6714S).....	31
20. THREAD STAND COMPONENTS (MO-6704S,MO-6714S SPECIAL ORDER PARTS)	33
21. THREAD STAND COMPONENTS (FOR MO-6716S)	35
22. THREAD STAND COMPONENTS (MO-6716S SPECIAL ORDER PARTS).....	37
23. SPECIAL ORDER PARTS COMPONENTS	39
24. ACCESSORIES PARTS COMPONENTS.....	41
25. LIST FOR INFORMATION OF CHANGE.....	42
NUMERICAL INDEX OF PARTS.....	43

1. MISCELLANEOUS COVER COMPONENTS (1)



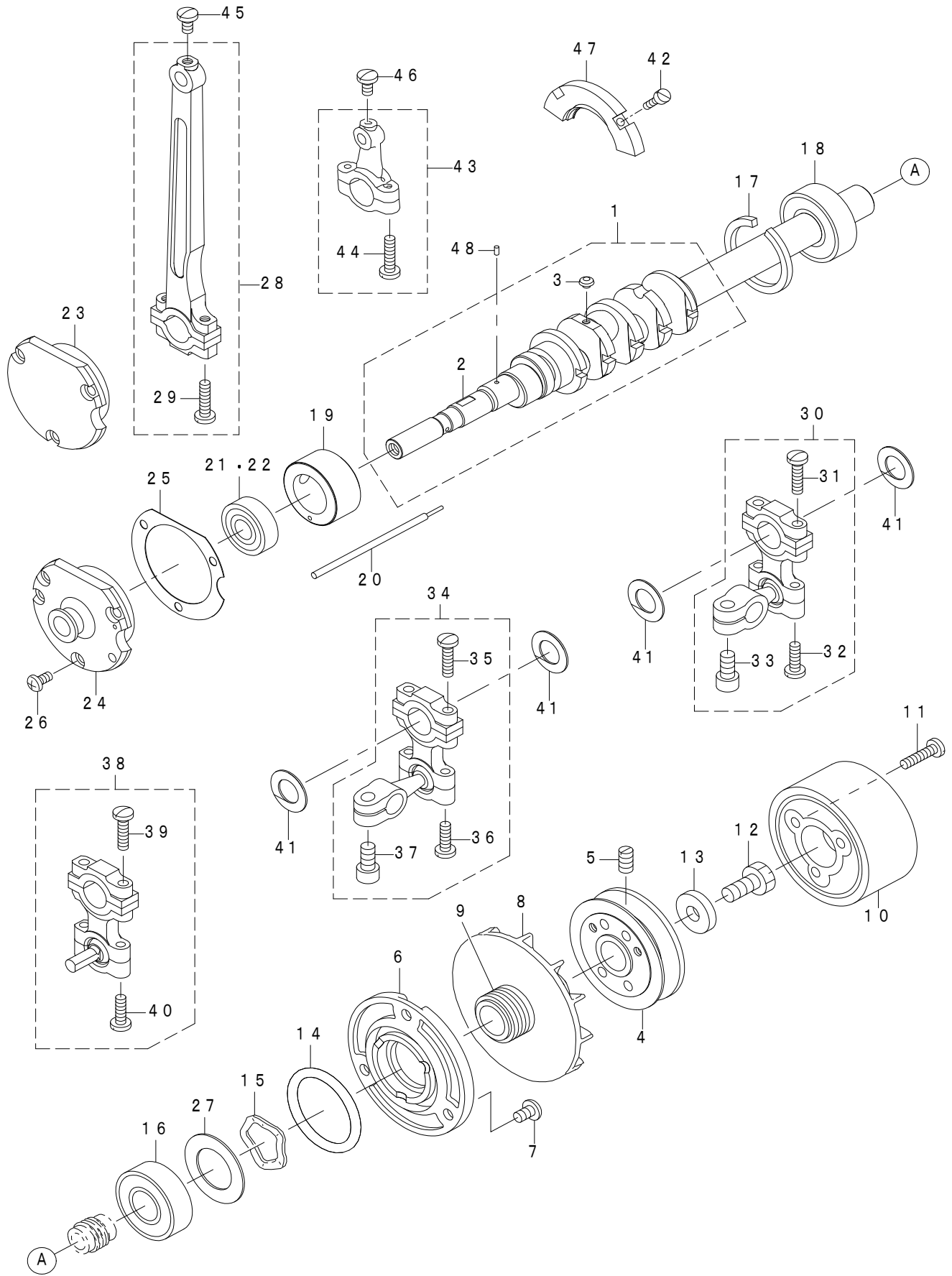
REF.NO	NOTE	PART NO	DESCRIPTION	Qty
1	#04	131-04005	CLOTH WASTE COVER	1
2	#02	131-04203	CLOTH WASTE COVER	1
3		131-02405	CROTH WASTE COVER STOPPER	1
4		SS-2090520-SL	SCREW 9/64-40 L=5	1
5		NS-6090310-SN	NUT 9/64-40	1
6		SS-3090610-SP	SCREW 9/64-40 L=6	2
7		132-00704	FEED MECHANISM COVER	1
8		132-00803	FEED MECHANISM COVER GASKET	1
9		SM-4040855-SP	SCREW	4
10		SM-1040801-SC	SCREW M4X0.7 L=8	1
11		123-42101	CLOTH BASE SIDE COVER	1
12		SS-4120615-SP	SCREW 3/16-28 L=6	2
13		131-03809	CLOTH BASE COVER	1
14		SS-4091015-SP	SCREW 9/64-40 L=10	2
15		131-00904	LOOPER COVER	1
16		131-00805	LOOPER COVER BRACKET	1
17		SM-4041055-SP	SCREW M4 L=10	3
18		131-01209	LOOPER COVER SPRING	1
19		131-01407	LOOPER COVER PRESSER PLATE	1
20		SS-7090530-SP	SCREW 9/64-40 L=4.5	1
21		131-01001	LOOPER COVER GUIDE PLATE	1
22		SS-7090610-SP	SCREW 9/64-40 L=6	1
23		SS-8110410-TP	SCREW 11/64-40 L=3.5	1
24		SS-8110410-TP	SCREW 11/64-40 L=3.5	1
25	#01	131-01506	CLOTH WASTE COVER LEFT	1
26	#02	131-01605	CLOTH WASTE COVER LEFT	1
27		SS-7110510-SP	SCREW 11/64-40 L=5	2
28		131-01704	CLOTH BASE SWITCH-TYPE STOPPER	1
29		SS-7110710-SP	SCREW 11/64-40 L=7	2
30		131-01308	LOOPER COVER PRESSER SPRING	1
31		SM-4040655-SP	SCREW M4 L=6	1
32		131-01803	CROTH BASE SUPPORT PLATE	1
33		SS-7091410-SP	SCREW 9/64-40 L=13.5	1
34		131-03650	CLOTH BASE Cmpl.	1
35		131-02058	CLOTH BASE ASM.	(1)
36		131-01902	CLOTH BASE ECCENTRIC BUSHING	(1)
37		WZ-0420350-KP	DISC SPRING	(1)
38		131-72903	CLOTH BASE HINGE SHAFT COLLAR	(1)
39		SM-8040302-TP	SETSCREW	(1)
40		CM-3002000-01	ATTENTION SEAL	1
41		401-02307	ADJUSTING HOLE COVER	1
42		132-01603	ADJUSTING HOLE COVER GASKET	1
43		SM-4040855-SP	SCREW	4
44		131-04302	CLOTH BASE COVER RUBBER PLUG	1
45		131-02207	CLOTH BASE SWITCH-TYPE SPRING	1
46		NS-6110420-SP	NUT 11/64-40	1
47		SS-6111440-SP	SCREW 11/64-40 L=14.0	1
48	#03	132-40007	LOOPER COVER HINGE SHAFT A	1
49	#03	132-40106	LOOPER COVER HINGE SHAFT B	1
50	#03	132-40205	LOOPER COVER HINGE SHAFT C	1
51	#05	131-04104	CLOTH WASTE COVER	1
52	#06	401-50131	EAC_MARK_LABEL_S	1
53	*	700-04856	FEED_MECHANISM_COVER_SMALL_GAS	1
		NOTE	#01....FOR MO-6704S,MO-6714S	
			#02....FOR MO-6716S	
			#03....SELECTIVE PARTS	
			#04....FOR MO-6704S,MO-6714S	
			(EXCEPT TYPE SH)	
			#05....FOR MO-6704S,MO-6714S	
			(FOR TYPE SH)	
			#06....FOR JE	

2. MISCELLANEOUS COVER COMPONENTS (2)



REF.NO	NOTE	PART NO	DESCRIPTION	Qty
1		132-00209	SIDE COVER	1
2		132-00308	SIDE COVER GASKET	1
3		SM-4040855-SP	SCREW	3
4		SM-1040801-SC	SCREW M4X0.7 L=8	1
5		132-00506	UPPER COVER	1
6		132-00605	UPPER COVER GASKET	1
7		SM-4051255-SP	SCREW M5 L=12	5
8		229-24708	OIL SIGHT WINDOW	1
9		131-70006	RUBBER RING	1
10		131-04500	OIL DRAIN SCREW	1
11		131-70204	RUBBER RING	1
12		132-01009	COOLING FAN PLATE	1
13		SM-1040801-SC	SCREW M4X0.7 L=8	1
14		SM-4040855-SP	SCREW	2
15	#04	132-01454	BELT COVER ASM.	1
16		132-01405	BELT COVER	(1)
17		CM-3002000-01	ATTENTION SEAL	(1)
18		SS-4151215-SP	SCREW 15/64-28 L=12	3
19		131-02553	OIL RESERVOIR ASM.	1
20		131-02504	OIL RESERVOIR	(1)
21		131-70105	RUBBER RING	(1)
22		131-71004	DRAIN SCREW	(1)
23		131-02603	OIL RESERVOIR GASKET	1
24		131-03908	SCREW STUD	4
25		WP-0751576-SD	WASHER 7.5X19X1.5	4
26		WS-0822010-KP	SPRING WASHER 8.2X15X2	4
27		NS-6680410-SP	NUT 9/32-28	4
28		132-01108	SAFETY PLATE BRACKET	1
29		131-04807	SAFETY PLATE BRACKET COLLAR	1
30		WZ-0850302-K0	WAVED WASHER 8.5X12.5X0.3	1
31		SS-5110710-SP	SCREW 11/64-40 L=7	1
32	#02	132-01306	SAFETY PLATE	1
33	#01	132-01207	SAFETY PLATE	1
34		SS-7090611-SL	SCREW 9/64-40 L=6.1	2
35		132-04003	SAFETY PLATE BUSH	1
36		CM-3013000-01	SAFETY LABEL	1
37		229-01805	GROUND MARK	1
38		131-02900	THREAD GUIDE LARGE	2
39		107-53309	WINDOW PLATE RUBBER PLUG	1
40		SK-3412001-SE	WOOD SCREW D=4.1 L=20	2
41	#01	TA-1871602-R0	RUBBER PLUG	1
42		TA-2050805-R0	RUBBER PLUG	1
43		131-60700	BELT COVER (B)	1
44	#03	CM-6001001-01	WEEE MARK LABEL S	1
45	#04	400-37392	BELT COVER C	1
46	#04	400-40065	VIBRATION PROOF RUBBER	1
		NOTE	#01....FOR MO-6704S,MO-6714S	
			#02....FOR MO-6716S	
			#03....FOR JE.TURKEY	
			#04....VARIOUS NOS. FOR DESTINATIONS	

3. CRANKSHAFT COMPONENTS



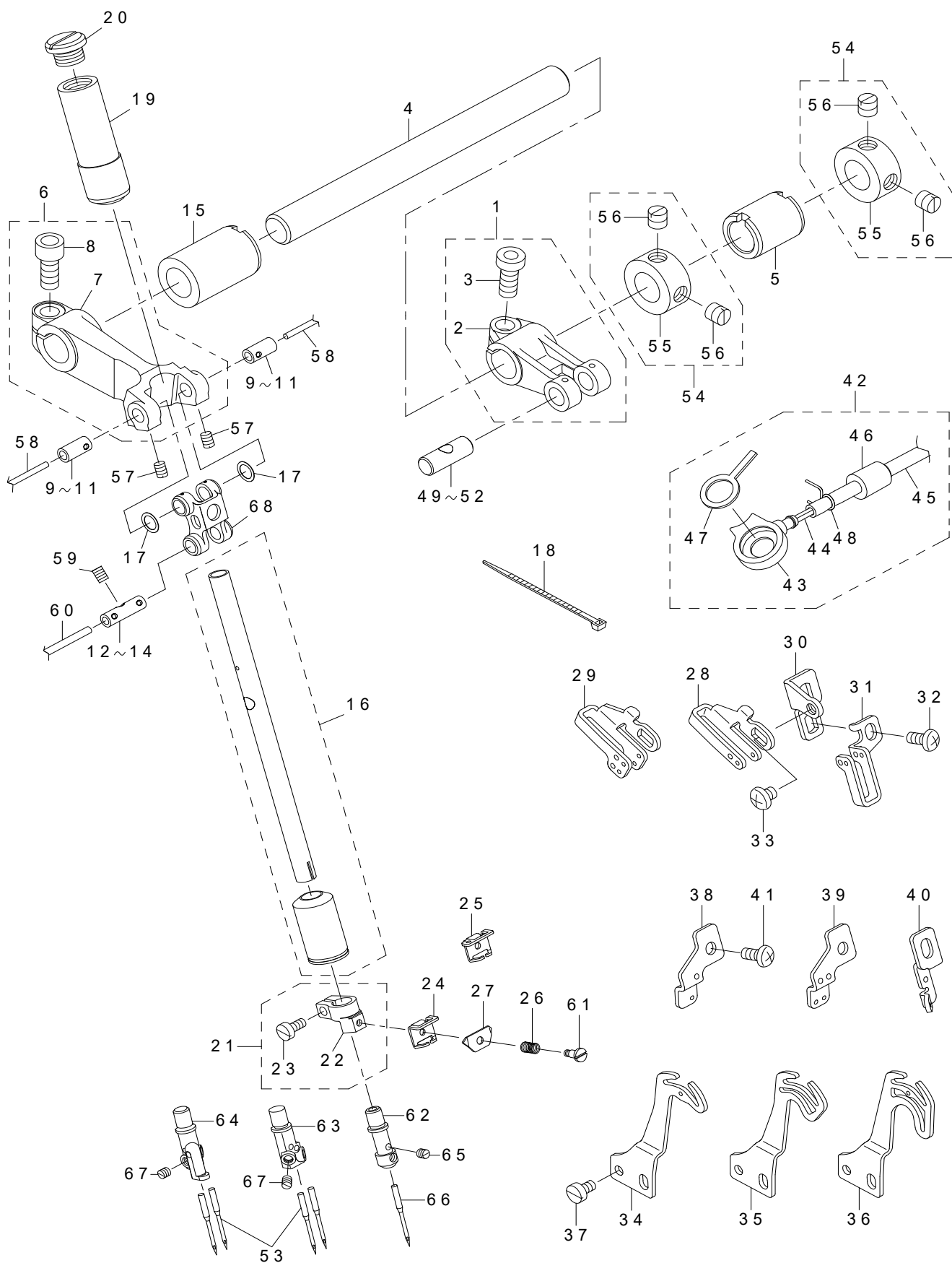
REF.NO	NOTE	PART NO	DESCRIPTION	Qty
1		400-23235	MAIN SHAFT ASM.	1
2		400-23234	MAIN SHAFT (300)	(1)
3		SS-5080212-TP	SCREW 1/8-44 L=2	(5)
4		131-07602	HANDWHEE (A)	1
5		SS-8151150-TP	SCREW 15/64-28 L=10.5	2
6	*	122-71706	THRUST HOLDER	1
7		SM-4050855-SP	SCREW M5 L=8	3
8		131-08402	COOLING FAN	1
9		131-08501	CRANKSHFT OIL SHIELD	1
10		131-07701	HANDWHEEL	1
11		SS-7111810-TP	SCREW 11/64-40 L=18	3
12		SS-9681610-TP	SCREW 9/32-28 L=16	1
13		WP-0764016-SP	WASHER	1
14		131-70303	RUBBER RING	1
15		WZ-2640310-KH	WAVED WASHER 26.4X33.9X3.5	1
16		B1211-804-000	BALL BEARING B	1
17		B1212-704-000	BEARING RETAINER	1
18		B1211-804-000	BALL BEARING B	1
19		132-05406	CRANKSHAFT BUSHING C	1
20		131-04906	OIL ADJUSTING BAR	1
21	#01	B1215-804-000	BALL BEARING D	1
22	#02	SB-1100003-00	BALL BEARING	1
23	#01	131-08006	CRANKSHAFT BUSHING D	1
24	#02	131-08105	CRANKSHAFT BUSHING D	1
25		131-08204	CRANKSHAFT BUSHING GASKET	1
26		SM-4040855-SP	SCREW	3
27		131-08303	BEARING HOLDING PLATE	1
28		121-09153	CONNECTING ROD ASM.	1
29		SS-7111810-TP	SCREW 11/64-40 L=18	(2)
30		121-22362	UPPER LOOPER ROD ASM.	1
31		SS-7111810-TP	SCREW 11/64-40 L=18	(2)
32		SS-7111410-TP	SCREW 11/64-40 L=14	(2)
33		SM-6061202-TP	SCREW M6 L=12	(1)
34	#01	121-23360	LOWER LOOPER ROD ASM. A	1
35		SS-7111810-TP	SCREW 11/64-40 L=18	(2)
36		SS-7111410-TP	SCREW 11/64-40 L=14	(2)
37		SM-6061202-TP	SCREW M6 L=12	(1)
38	#02	121-20150	LOWER LOOPER ROD ASM. B	1
39		SS-7111810-TP	SCREW 11/64-40 L=18	(2)
40		SS-7111410-TP	SCREW 11/64-40 L=14	(2)
41		400-17824	LOOPER LOD STOPPER	4
42		SS-6081210-TP	SCREW 1/8-44 L=12	2
43		121-32155	KNIFE DRIVING ROD ASM.	1
44		SS-7111810-TP	SCREW 11/64-40 L=18	(2)
45		SS-7110840-SP	SCREW 11/64-40 L=7.8	1
46		SS-7110840-SP	SCREW 11/64-40 L=7.8	1
47		400-17714	BALANCER	1
48		400-35711	OIL WICK	1

NOTE

#01....FOR MO-6704S,MO-6714S
#02....FOR MO-6716S

FOR NO.28,30,34,38,43
ORDER FOR SET ONLY CAN BE ACCEPTED

4. NEEDLE DRIVING SHAFT COMPONENTS



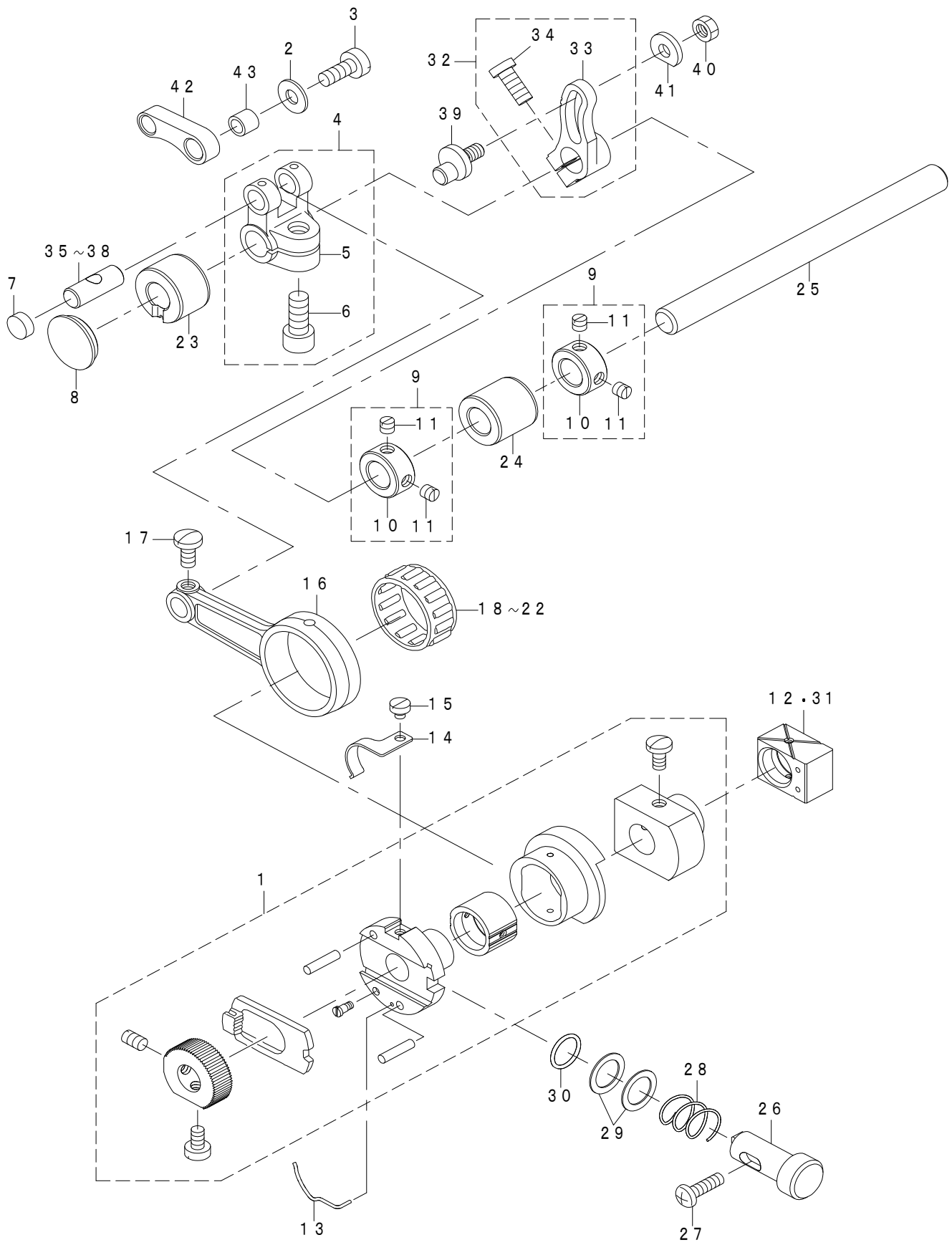
REF.NO	NOTE	PART NO	DESCRIPTION	Qty
1		131-10556	FEED FORKED CRANK ASM.	1
2		131-10507	NEEDLE DRIVING BRANCH CRANK	(1)
3		SM-6061402-TP	SCREW M6 L=14	(1)
4		131-10606	NEEDLE DRIVING SHAFT	1
5		131-10101	BUSHING REAR	1
6		132-09853	NEEDLE DRIVING ARM ASM.	1
7		132-09804	NEEDLE DRIVING ARM	(1)
8		SM-6061402-TP	SCREW M6 L=14	(1)
9	#07	132-09101	NEEDLE DRIVING ARM PIN A	2
10	#07	132-09200	NEEDLE DRIVING ARM PIN B	2
11	#07	132-09309	NEEDLE DRIVING ARM PIN C	2
12	#07	132-09408	NEEDLE DRIVING PIN A	1
13	#07	132-09507	NEEDLE DRIVING PIN B	1
14	#07	132-09606	NEEDLE DRIVING PIN C	1
15		131-10002	BUSHING REAR	1
16		132-08350	NEEDLE ROD (A) ASM.	1
17		132-08103	NEEDLE DRIVING LINK WASHER	2
18		EA-9500B01-00	CABLE BAND	1
19		132-09705	NEEDLE ROD BUSHING UPPER	1
20		132-07808	NEEDLE ROD BUSHING CAP SCREW	1
21		131-10259	NEEDLE CLAMP HOLDER ASM.	1
22		131-10200	NEEDLE CLAMP HOLDER	(1)
23		SS-6080720-SP	SCREW 1/8-44 L=7	(1)
24	#01	131-10705	NEEDLE THREAD PRESSER GUIDE A	1
25	#02	131-10804	NEEDLE THREAD PRESSER GUIDE B	1
26		131-10903	NEEDLE THREAD PRESSER SPRING	1
27		131-11000	NEEDLE THREAD PRESSER PLATE A	1
28	#03	132-08806	NEEDLE THREAD GUIDE	1
29	#04	132-08905	THREAD GUIDE 2-NEEDLE	1
30		132-08707	NEEDLE THREAD GUIDE BASE	1
31	#02	131-11109	THREAD GUIDE CHAIN LOOPER	1
32		SM-4040855-SP	SCREW	2
33		SS-4110515-SP	SCREW 11/64-40 L=5	1
34	#05	131-11208	NEEDLE THREAD TAKE-UP LEVER	1
35	#04	131-11307	TAKE-UP LEVER 2-NEEDLE	1
36	#02	131-11406	TAKE-UP LEVER CHAIN LOOP	1
37		SS-6090670-TP	SCREW 9/64-40 L=6	2
38	#03	131-11505	NEEDLE THREAD BALANCE GUIDE	1
39	#04	131-11604	TAKE-UP LEVER GUIDE 2-NEEDLE	1
40	#02	131-11703	TAKE-UP LEVER GUIDE CHAIN LOOP	1
41		SM-4040855-SP	SCREW	1
42		132-08459	ONCE THROUGH OIL PIPE ASM.	1
43		132-08509	ONCE THROUGH OIL COVER	(1)
44		CQ-2000000-00	OIL WICK	(0.8)
45		236-30007	TUBE	(0.39)
46		132-44009	ONCE THROUGH OIL PIPE BUSHING	(1)
47		132-08608	ONCE THROUGH OIL FELT	(1)
48		131-42609	PIPE CLAMP	(1)
49	#07	131-22007	FEED BRANCH CRANK PIN A	1
50	#07	131-22106	FEED BRANCH CRANK PIN B	1
51	#07	131-22205	FEED BRANCH CRANK PIN C	1
52	#07	131-22304	FEED BRANCH CRANK PIN D	1
53	#06	MDC-270B1100	NEEDLE DCX27 #11	2
54		131-72754	THRUST COLLAR ASM.	2
55		131-72705	THRUST COLLAR	(1)
56		SS-8660610-TP	SCREW 1/4-40 L=6	(2)
57		SS-8090530-TP	SCREW 9/64-40 L=5.0	2
58		CQ-2020000-00	OIL WICK	0.09
59		SS-8090530-TP	SCREW 9/64-40 L=5.0	1
60		CQ-2520000-00	OIL WICK	0.04
61		SD-0280401-SL	HINGE SCREW D=2.8 H=4	1
62	#05	131-75005	NEEDLE CLAMP 1-NEEDLE	1
63	#04	131-75203	NEEDLE CLAMP 2-NEEDLE	1
64	#02	122-57002	CHAIN LOOPER NEEDLE CLAMP DEA	1
65	#05	SS-8080310-TP	SCREW 1/8-44 L=2.8	1
66	#05	MDC-270B1100	NEEDLE DCX27 #11	1
67	#06	SS-8080310-TP	SCREW 1/8-44 L=2.8	2
68		132-08004	NEEDLE DRIVING LINK	1

NOTE

#01.....FOR MO-6704S,MO-6714S
#02.....FOR MO-6716S
#03.....FOR MO-6704S,MO-6716S
#04.....FOR MO-6714S
#05.....FOR MO-6704S
#06.....FOR MO-6714S,MO-6716S
#07.....SELECTIVE PARTS

FOR NO.16,ORDER FOR SET ONLY CAN BE ACCEPTED

5. FEED MECHANISM COMPONENTS (1)



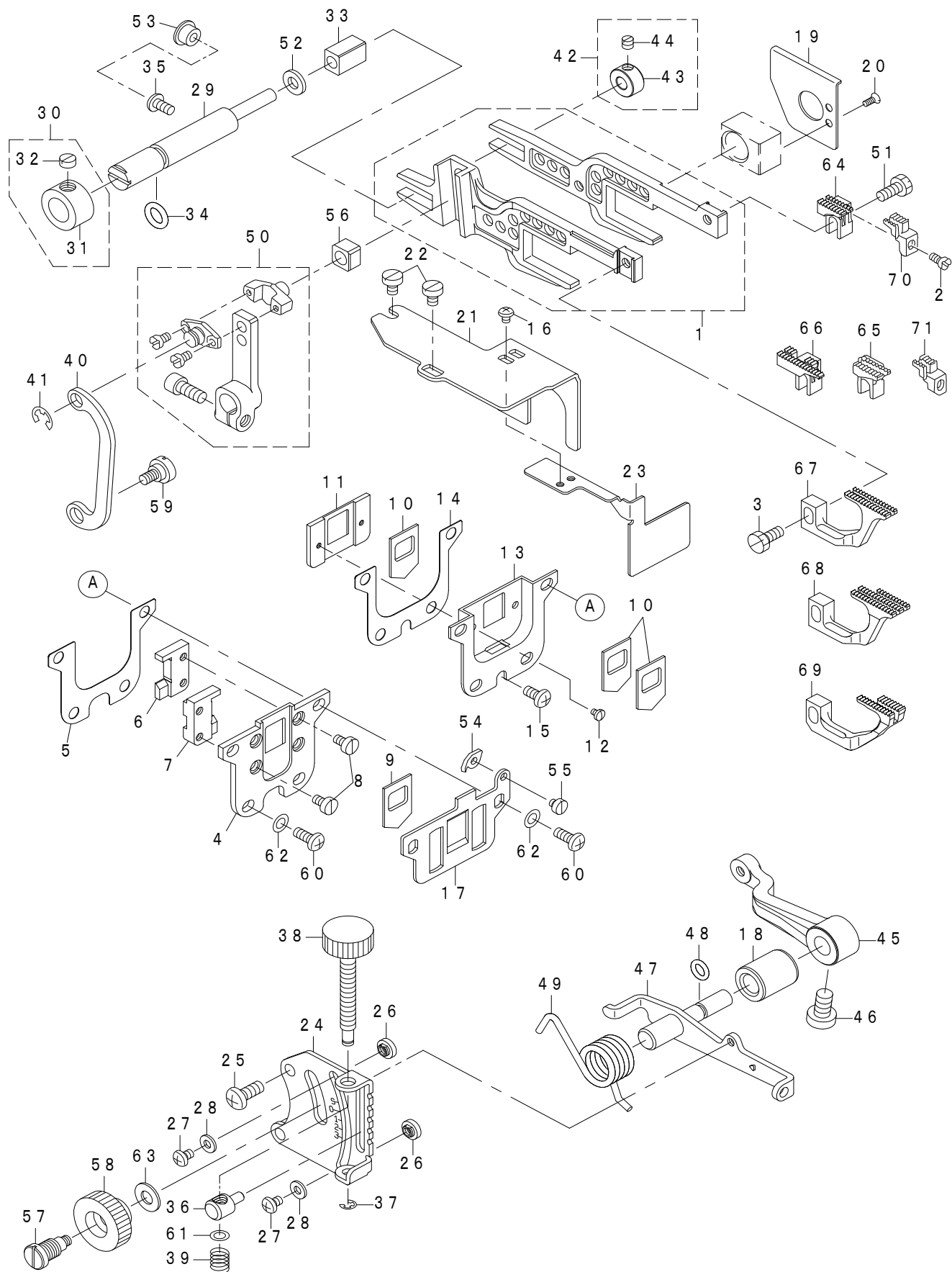
REF.NO	NOTE	PART NO	DESCRIPTION	Qty
1		131-18054	FEED ECCENTRIC BODY ASM.	1
2		131-20605	WASHER	1
3		SS-6121220-TP	SCREW 3/16-28 L=11.5	1
4		131-22452	FEED BRANCH CRANK ASM.	1
5		131-22403	FEED BRANCH CRANK	(1)
6		SM-6061402-TP	SCREW M6 L=14	(1)
7		TA-1030402-R0	RUBBER PLUG D=10.3 L=4	1
8		TA-2050416-R0	RUBBER PLUG	1
9		131-72556	FEED SHAFT THRUST COLLAR ASM.	2
10		131-72507	FEED SHAFT THRUST COLLAR	(1)
11		SS-8110410-TP	SCREW 11/64-40 L=3.5	(2)
12	#01	132-17807	SLIDE BLOCK A	1
13		131-22502	RATCHET PAWL SPRING	1
14		131-19300	RATCHET GEAR SPRING	1
15		SS-6080320-SP	SCREW 1/8-44 L=2.5	1
16		131-18708	FEED CRANK ROD	1
17		SS-7110910-TP	SCREW 11/64-40 L=8.5	1
18	#01	121-16604	NEEDLE BEARING	1
19	#01	121-16703	NEEDLE BEARING B	1
20	#01	121-16802	NEEDLE BEARING C	1
21	#01	121-16901	NEEDLE BEARING D	1
22	#01	121-17008	NEEDLE BEARING E	1
23		131-19409	FEED SHAFT METAL FRONT	1
24		131-19508	FEED SHAFT METAL REAR	1
25		131-19607	FEED SHAFT	1
26	*	700-05081	PUSH BUTTON SHAFT	1
27		SM-4041455-SN	SCREW M4 L=14	1
28		132-16601	PUSH BUTTON SPRING	1
29		132-16700	PUSH BUTTON SHAFT WASHER	2
30		132-44108	RUBBER RING	1
31	#01	132-17906	SLIDE BLOCK B	1
32		131-19953	MAIN FEED ARM ASM.	1
33		131-19904	MAIN FEED ARM	(1)
34		SM-6051202-TP	SCREW M5X0.8 L=12	(1)
35	#01	131-22007	CRANK PIN A	1
36	#01	131-22106	CRANK PIN B	1
37	#01	131-22205	CRANK PIN C	1
38	#01	131-22304	CRANK PIN D	1
39		131-19706	MAIN FEED ARM PIN	1
40		NS-6620320-SP	NUT 3/16-32	1
41		131-20001	WASHER B	1
42		131-19805	MAIN FEED LINK	1
43		B1620-804-000	PIN COLLAR	1

NOTE

#01....SELECTIVE PARTS

FOR NO.1,ORDER FOR SET ONLY
CAN BE ACCEPTED

6. FEED MECHANISM COMPONENTS (2)



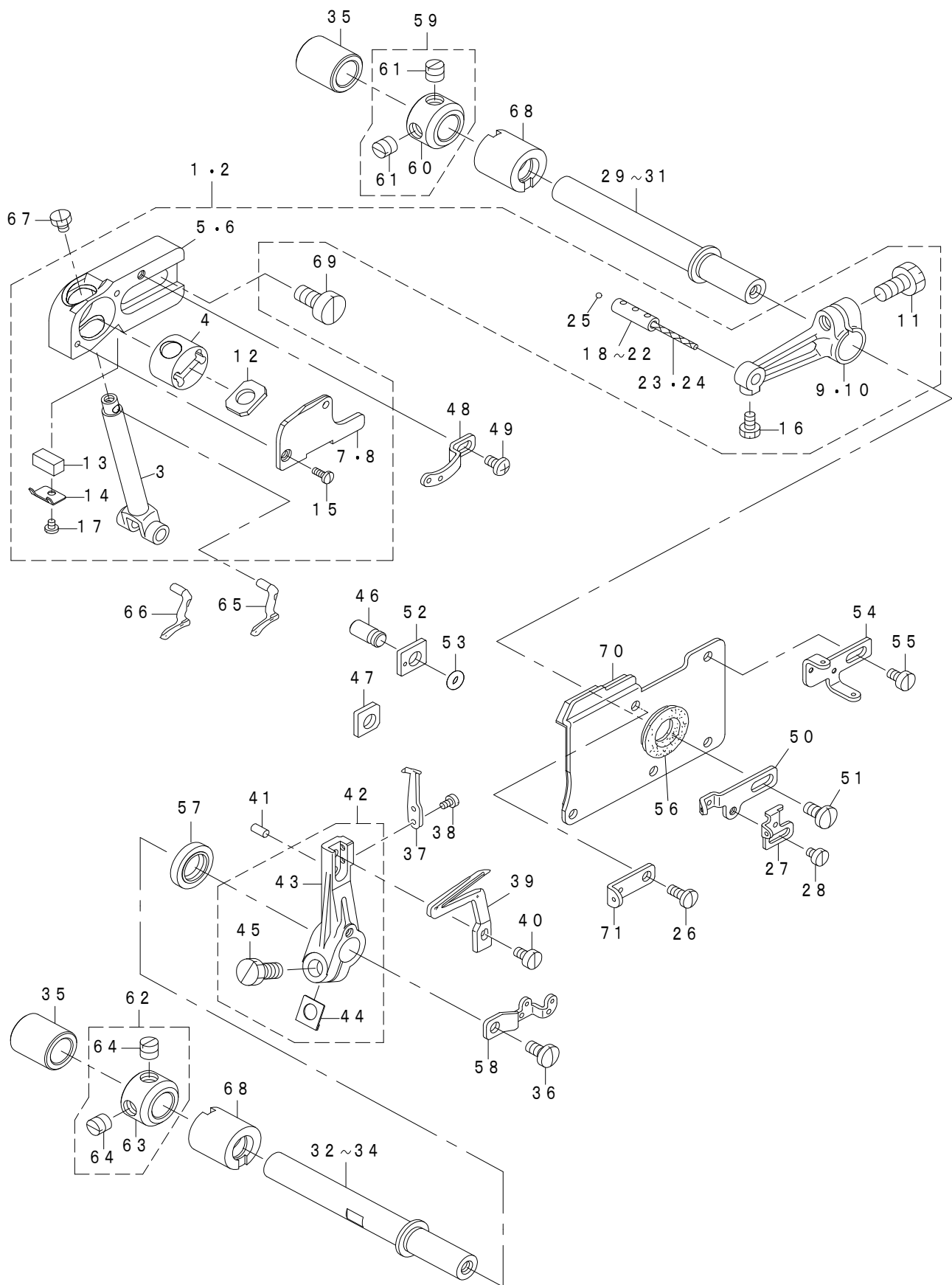
REF.NO	NOTE	PART NO	DESCRIPTION	Qty
1		132-15157	FEED ROCKER ASM.	1
2		SS-4080620-TP	SCREW 1/8-44 L=6	1
3		SS-9111010-SP	SCREW 11/64-40 L=9.5	1
4		132-15306	RUBBER CASE	1
5		132-15405	RUBBER CASE GASKET	1
6		132-15504	FEED BAR SUPPORT RIGHT	1
7		132-15603	FEED BAR SUPPORT LEFT	1
8		SS-6090620-TP	SCREW	4
9	*	700-04244	OIL SHIELD RUBBER	1
10		700-04244	OIL SHIELD RUBBER	3
11		132-15702	RUBBER HOLDING PLATE	1
12		SS-7060310-SP	SCREW 3/32-56 L=3	2
13		132-15900	OIL SHIELD CASE	1
14		132-16007	OIL SHIELD CASE GASKET	1
15		SM-4040855-SP	SCREW	1
16		SM-4030455-SP	SCREW	2
17		132-15801	THROAT PLATE SUPPORT	1
18		131-22700	ADJUSTING SHAFT METAL	1
19		132-16106	OIL SHIELD PLATE	1
20		SS-1060610-SP	SCREW 3/32-56 L=5.5	2
21		132-16205	FEED CAM OIL SHIELD PLATE	1
22		SM-6040600-SP	SCREW M4 L=6	2
23		132-16304	OIL SHIELD PLATE	1
24		131-22809	DIFFERENTIAL FEED GRADUATION	1
25		SM-4051255-SP	SCREW M5 L=12	2
26		131-21405	ADJUSTING STOPPER	2
27		SS-4090515-SP	SCREW 9/64-40 L=5	2
28		WP-0371016-SD	WASHER 3.7X8X1	2
29		131-20902	SUPPORT SHAFT	1
30		131-21058	HRUST COLLAR ASM.	1
31		131-21009	HRUST COLLAR	(1)
32		SS-8660330-SP	SCREW 1/4-40 L=3.0	(1)
33		131-20803	SLIDE BLOCK	1
34		131-70204	RUBBER RING	1
35		SM-4040855-SP	SCREW	1
36		132-17708	DIFFERENTIAL FEED BLOCK	1
37		RE-0300000-K0	E-RING 3	1
38		132-13012	ADJUSTING SCREW	1
39		131-23302	DIFFERENTIAL FEED SCREW SPRING	1
40		131-21306	ADJUSTING LINK	1
41		RE-0500000-K0	E-RING 5	1
42		131-21256	SUPPORT SHAFT COLLAR ASM.	1
43		131-21207	SUPPORT SHAFT COLLAR	(1)
44		SS-8110410-TP	SCREW 11/64-40 L=3.5	(1)
45		131-21900	DIFFERENTIAL FEED ROCKER	1
46		SS-6661110-SP	SCREW 1/4-40 L=11	1
47		132-17351	ROCKER SHAFT ASM.	1
48		131-70501	RUBBER RING	1
49		131-21603	ADJUSTING LEVER SPRING	1
50		132-18052	DIFFERENTIAL FEED ARM ASM.	1
51		SS-9111050-SP	SCREW 11/64-40 L=9.5	1
52		131-21108	WASHER	1
53		TA-0800504-R0	PLUG D=8 L=4.5	1
54		132-00902	FEED MECHANISM COVER PRESSER	1
55		SS-6080340-SP	SCREW 1/8-44 L=2.9	1
56		132-18102	SLIDE BLOCK	1
57		132-17401	DIFFERENTIAL FEED HINGE SCREW	1
58		132-17500	DIFFERENTIAL FEED LOCK NUT	1
59		SD-0720271-SP	HINGE SCREW D=7.2 H=2.7	1
60		SM-4041055-SP	SCREW M4 L=10	4
61		WP-0460556-SD	WASHER 4.6X7.5X0.5	1
62		WP-0480856-SP	WASHER 4.8X8.4X0.8	4
63		WP-0621016-SD	WASHER 6.2X13X1	1
64	#03	131-91606	MAIN FEED DOG	1
65	#04	131-92000	MAIN FEED DOG	1
66	#02	131-92406	MAIN FEED DOG	1
67	#03	131-92802	DIFFERENTIAL FEED DOG	1
68	#04	131-93206	DIFFERENTIAL FEED DOG	1
69	#02	131-93602	DIFFERENTIAL FEED DOG	1
70	#01	131-91309	AUXILIARY FEED DOG	1
71	#02	131-91408	AUXILIARY FEED DOG	1

NOTE

#01....FOR MO-6704S,MO-6714S
#02....FOR MO-6716S
#03....FOR MO-6704S
#04....FOR MO-6714S

FOR NO.1,50.ORDER FOR SET ONLY
CAN BE ACCEPTED

7. UPPER & LOWER LOOPER COMPONENTS



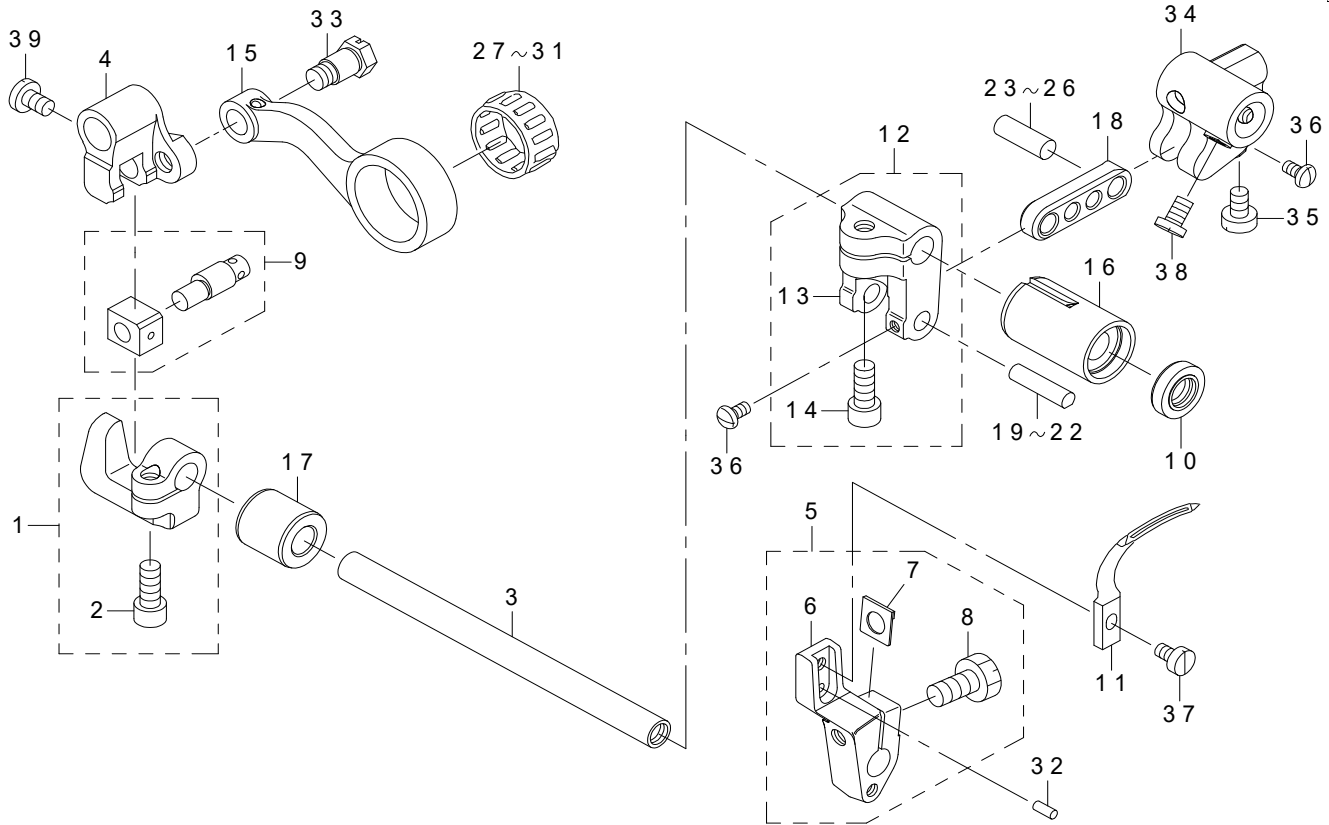
REF.NO	NOTE	PART NO	DESCRIPTION	Qty	
1	*	#01	401-86707	UPPER LOOPER GUIDE ASM C	1
2	*	#02	401-86709	UPPER LOOPER GUIDE ASM E	1
3			400-15636	UPPER LOOPER HOLDER	(1)
4			400-11233	UPPER LOOPER GUIDE	(1)
5			121-23006	UPPER LOOPER GUIDE SUPPORT	(1)
6		#02	121-23105	UPPER LOOPER GUIDE SUPPORT, B	(1)
7			132-22203	UPPER LOOPER GUIDE COVER	(1)
8		#02	132-22302	UPPER LOOPER GAUGE COVER B	(1)
9			131-31008	UPPER LOOPER ARM A	(1)
10		#02	131-31107	UPPER LOOPER ARM B	(1)
11			SS-9151210-TP	SCREW 15/64-28 L=11.8	(1)
12			400-11234	DUST SEALING FELT	(1)
13	*		131-43706	OIL FELT	(1)
14	*		131-43607	OIL FELT PRESSER	(1)
15			SS-7060610-SP	SCREW 3/32-56 L= 5.5	(2)
16			SS-9090610-TP	SCREW 9/64-40 L=5.5	(1)
17	*		SS-7060310-SP	SCREW 3/32-56 L=3	(1)
18		#03	131-31206	UPPER LOOPER HOLDER PIN A	(1)
19			CQ-2000000-00	OIL WICK	(0.04)
20		#03	131-31305	UPPER LOOPER HOLDER PIN B	(1)
21			CQ-2000000-00	OIL WICK	(0.04)
22		#03	131-31404	UPPER LOOPER HOLDER PIN C	(1)
23			131-31701	OIL WICK STOPPER BALL	(1)
24		#03	131-31503	UPPER LOOPER HOLDER PIN D	(1)
25		#03	131-31602	UPPER LOOPER HOLDER PIN E	(1)
26			SS-7090850-SP	SCREW 9/64-40 L=8	1
27			123-40709	LOWER LOOPER THREAD TAKE-UP	1
28			SS-6080410-SP	SCREW 1/8-44 L=4	1
29		#03	132-21403	UPPER LOOPER GUIDE A	1
30		#03	132-21502	UPPER LOOPER GUIDE B	1
31		#03	132-21601	UPPER LOOPER GUIDE C	1
32		#03	132-21700	UPPER LOOPER GUIDE A	1
33		#03	132-21809	UPPER LOOPER GUIDE B	1
34		#03	132-21908	UPPER LOOPER GUIDE C	1
35			132-22708	LOOPER SHAFT REAR BUSHING	2
36			SS-7110840-SP	SCREW 11/64-40 L=7.8	1
37			118-90001	TRAVELING NEEDLE GUARD	1
38			SS-6060440-TP	SCREW 3/32-56 L=3.5	2
39			119-99307	LOWER LOOPER	1
40			SS-6090620-TP	SCREW	1
41			PS-0300062-KH	SPRING PIN 3X6	1
42			131-32550	LOWER LOOPER SUPPORT ARM ASM.	1
43			131-32501	LOWER LOOPER SUPPORT ARM	(1)
44			131-29309	WASHER	(1)
45			SS-9151210-TP	SCREW 15/64-28 L=11.8	(1)
46			131-31800	GAUGE FIXING PIN	1
47		#05	131-32006	GUIDE SUPPORT GAUGE	1
48			123-40501	THREAD GUIDE UPPER	1
49			SS-4090615-SP	SCREW 9/64-40 L=6	1
50			123-40402	THREAD TAKE-UP RIGHT	1
51			SS-7110840-SP	SCREW 11/64-40 L=7.8	1
52		#04	131-31909	GUIDE SUPPORT GAUGE	1
53			131-70600	RUBBER RING	1
54			400-99082	LOOPER THREAD GUIDE	1
55			SS-6090630-TP	SCREW 9/64-40 L=6	3
56			131-32709	UPPER LOOPER SHAFT RUBBER RING	1
57			400-10804	OIL SEAL RING	1
58			123-40907	LOWER THREAD TAKE-UP LEFT	1
59		#04	CS-1031210-SH	THRUST COLLAR ASM. D=10.32 W=12	2
60			CS-1031219-SH	THRUST COLLAR D=10.32 W=12	(1)
61			SS-8660610-TP	SCREW 1/4-40 L=6	(2)
62		#05	CS-1031210-SH	THRUST COLLAR ASM. D=10.32 W=12	1
63			CS-1031219-SH	THRUST COLLAR D=10.32 W=12	(1)
64			SS-8660610-TP	SCREW 1/4-40 L=6	(2)
65		#01	118-88104	UPPER LOOPER	1
66		#02	121-76004	UPPER LOOPER	1
67			SS-9090410-TP	SCREW	1
68			132-22609	LOOPER SHAFT FRONT BUSHING	2
69			SM-6061200-SP	SCREW M6 L=12	2
70			131-33053	OIL SHIELD PLATE ASM.	1
71			123-40600	UPPER LOOPER THREAD GUIDE	1

NOTE

#01....FOR MO-6704S,MO-6716S
#02....FOR MO-6714S
#03....SELECTIVE PARTS
#04....FOR MO-6704S,MO-6714S
#05....FOR MO-6716S

FOR NO.10,11,ORDER FOR SET ONLY
CAN BE ACCEPTED

8. CHAIN LOOPER COMPONENTS (FOR MO-6716S)



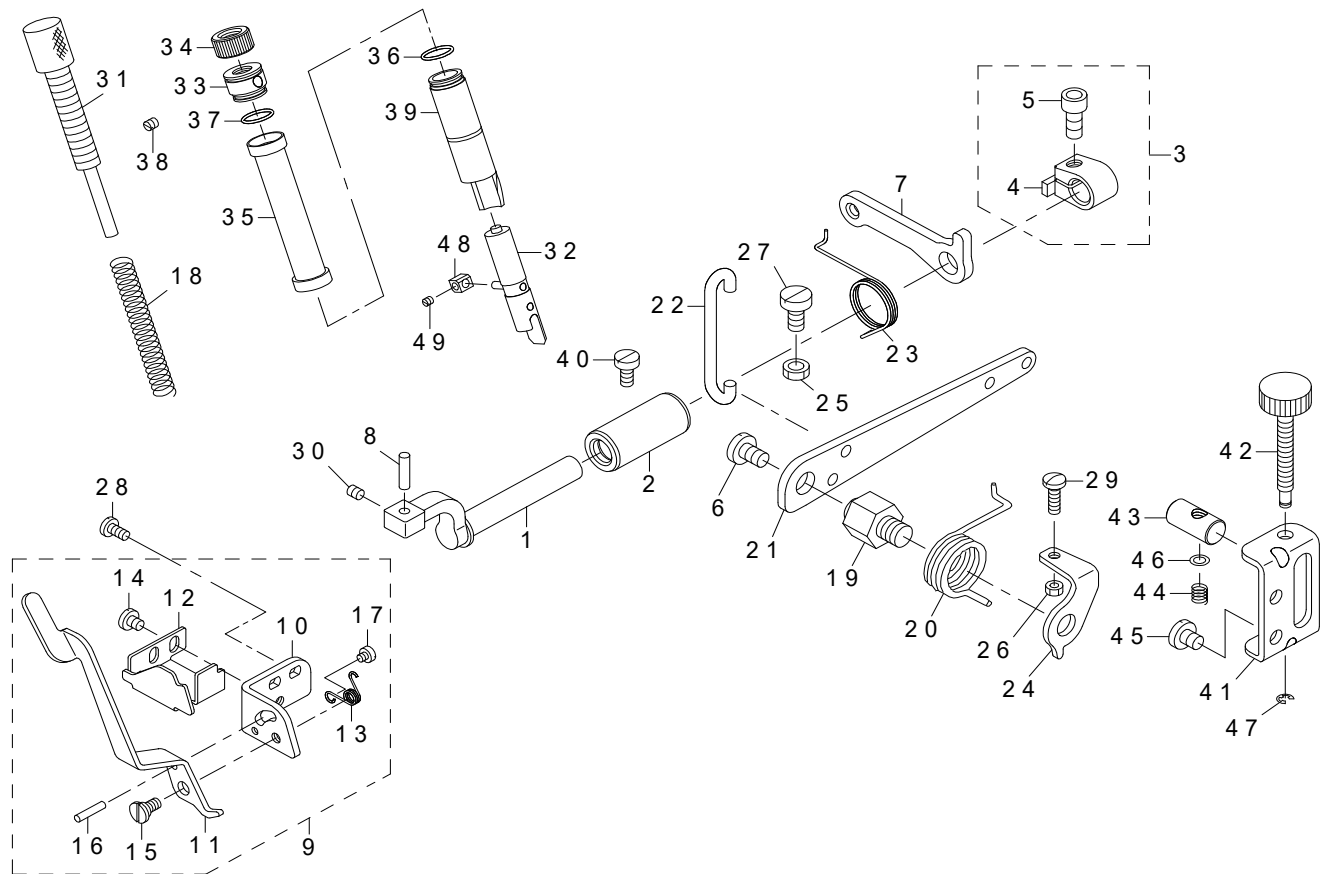
REF.NO	NOTE	PART NO	DESCRIPTION	Qty
1		131-29853	BRACKET	1
2		SM-6051202-TP	SCREW M5X0.8 L=12	(1)
3		131-26909	CHAIN LOOPER SHAFT	1
4		131-26008	FRONT-AND-REAR ARM	1
5		131-29952	CHAIN LOOPER DRIVING ARM ASM.	1
6		131-29903	CHAIN LOOPER DRIVING ARM	(1)
7		131-29309	WASHER	(1)
8		SS-9151210-TP	SCREW 15/64-28 L=11.8	(1)
9		131-26354	SLIDE BLOCK PIN ASM.	1
10		400-10805	OIL SEAL RING	1
11		121-20705	CHAIN LOOPER	1
12		131-25950	CHAIN LOOPER DRIVING ARM ASM.	1
13		131-25901	CHAIN LOOPER DRIVING ARM	(1)
14		SM-6051202-TP	SCREW M5X0.8 L=12	(1)
15		132-20009	CHAIN LOOPER ROD	1
16		131-28103	BUSHING FRONT	1
17		131-27006	BUSHING REAR	1
18		131-27105	CHAIN LOOPER SHAFT DRIV. LINK	1
19	#01	131-26503	PIN LONG A	1
20	#01	131-26602	PIN LONG B	1
21	#01	131-26701	PIN LONG C	1
22	#01	131-26800	PIN LONG D	1
23	#01	131-27204	PIN SHORT A	1
24	#01	131-27303	PIN SHORT B	1
25	#01	131-27402	PIN SHORT C	1
26	#01	131-27501	PIN SHORT D	1
27	#01	B2119-816-A00	BEARING A	1
28	#01	B2119-816-B00	BEARING B	1
29	#01	B2119-816-C00	BEARING C	1
30	#01	B2119-816-D00	BEARING D	1
31	#01	B2119-816-E00	BEARING E	1
32		PS-0250062-KH	SPRING PIN 2.5X6	1
33		SD-0720803-TH	STEP-SCREW D=7.24 H=8	1
34		121-21612	DRIVING BALL ARM BRACKET	1
35		SS-6110710-TP	SCREW 11/64-40 L=6.5	1
36		SS-4080620-TP	SCREW 1/8-44 L=6	2
37		SS-6090620-TP	SCREW	1
38		SS-6110710-TP	SCREW 11/64-40 L=6.5	2
39		SS-7110720-TP	SCREW 11/64-40 L=7	1

NOTE

#01SELECTIVE PARTS

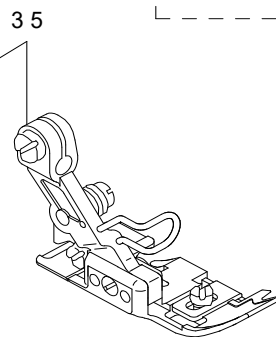
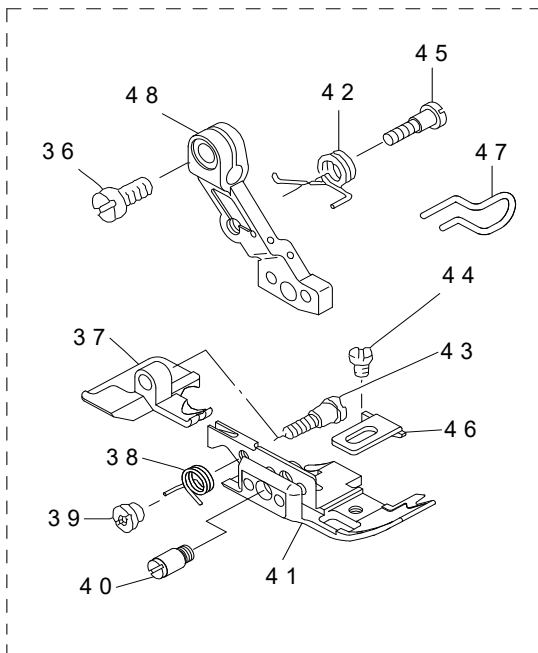
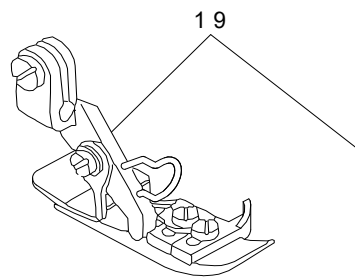
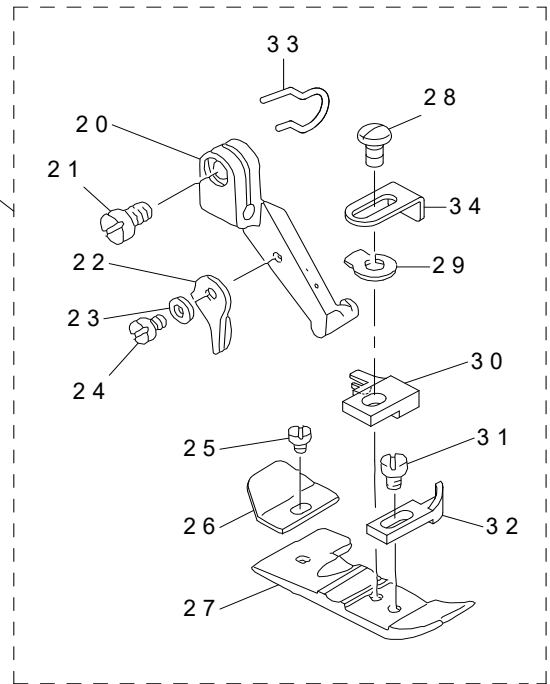
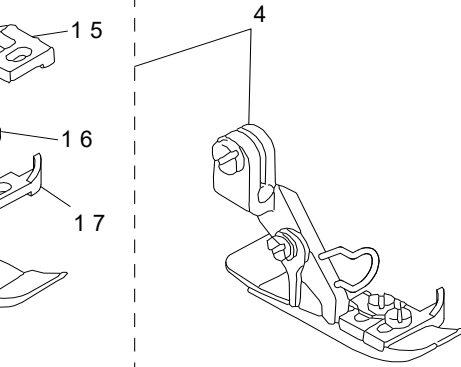
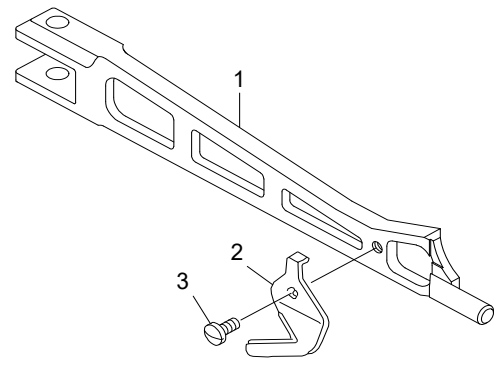
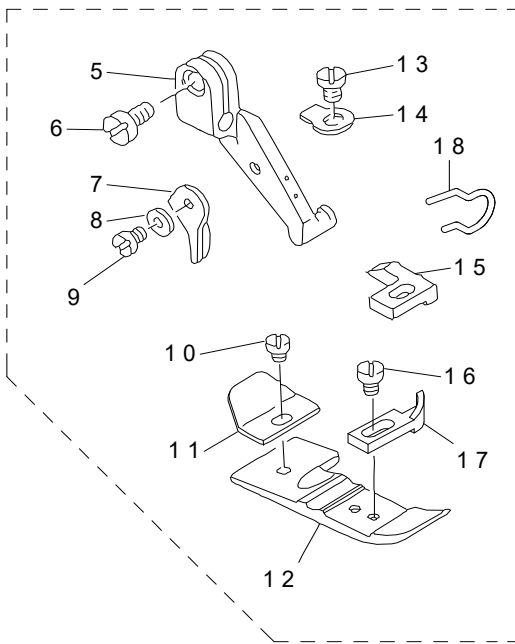
FOR NO.9.ORDER FOR SET ONLY
CAN BE ACCEPTED

9. PRESSER FOOT COMPONENTS (1)



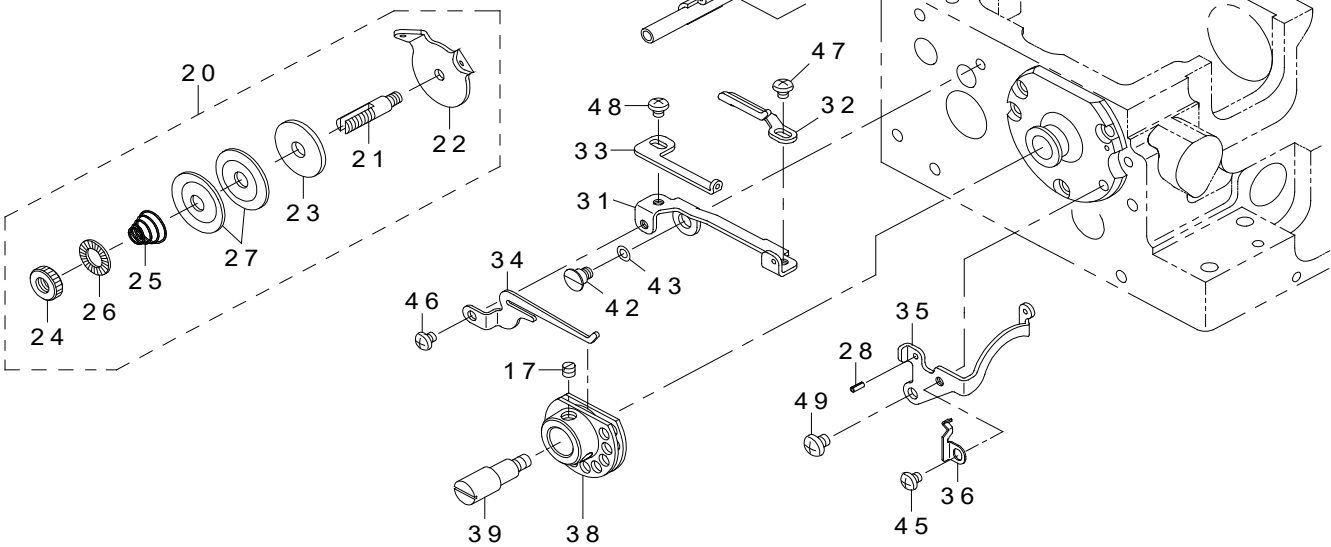
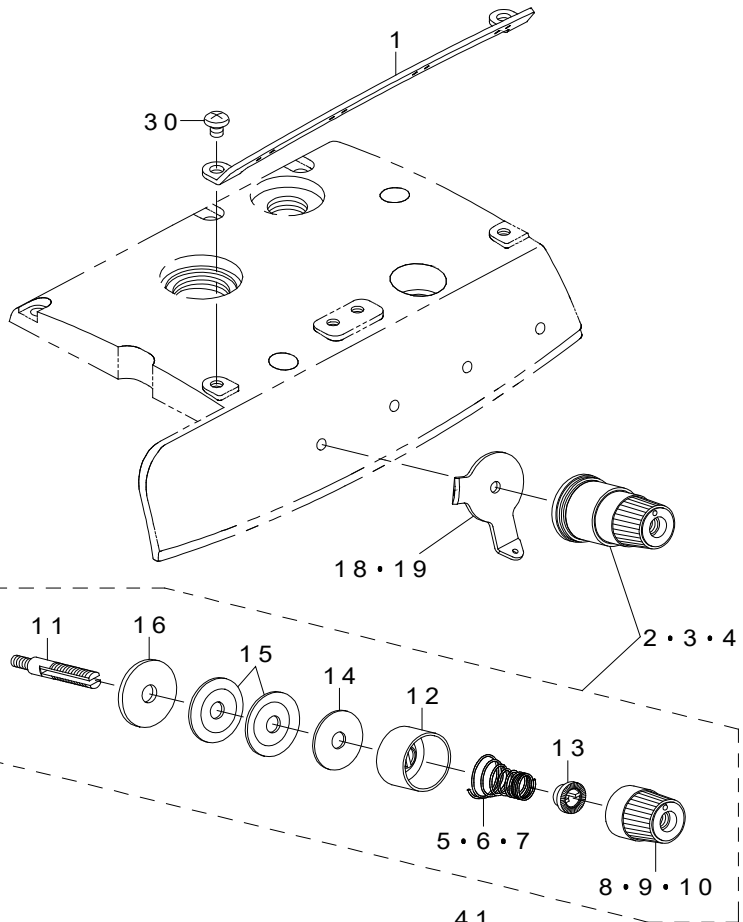
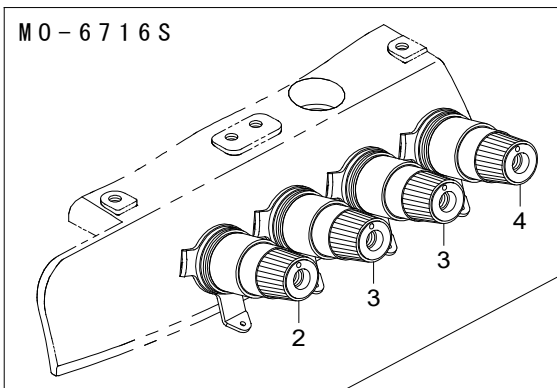
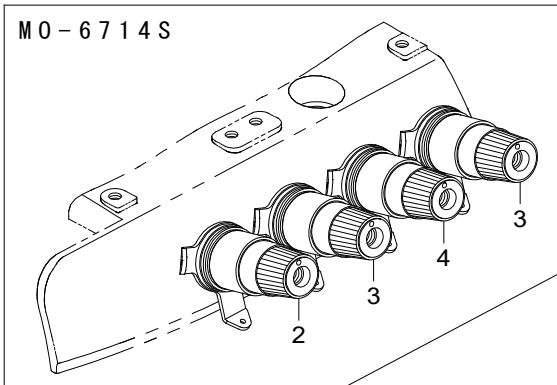
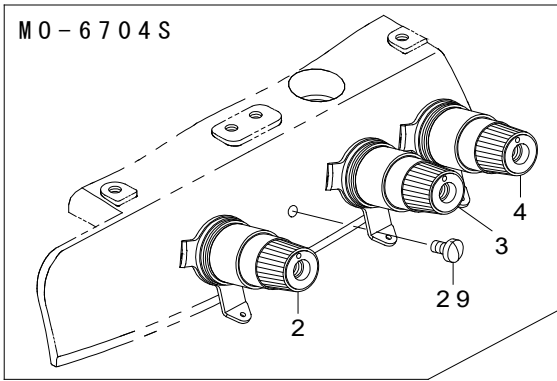
REF.NO	NOTE	PART NO	DESCRIPTION	Qty
1		131-15001	PRESSER FOOT SHAFT	1
2		401-02328	PRESSER FOOT SHAFT BUSHING	1
3		400-96182	THRUST ARM ASM.	1
4		400-96181	THRUST ARM	(1)
5		SM-6061402-TP	SCREW M6 L=14	(1)
6		SS-7161040-SP	SCREW 1/4-24 L=9.5	1
7		131-16801	LIFTING ARM	1
8		131-15407	PRESSER FOOT ARM HINGE SHAFT	1
9		131-15753	PRESSER LIFTING LEVER BASE ASM	1
10		131-15803	PRESSER LIFTING LEVER BASE	(1)
11		131-15902	PRESSER LIFTING LEVER	(1)
12		131-16009	PRESSER ARM STOPPER	(1)
13		131-16108	PRESSER FOOT LIFTING SPRING	(1)
14		SS-7110510-SP	SCREW 11/64-40 L=5	(2)
15		SD-0640241-SP	HINGE SCREW D=6.35 H=2.4	(1)
16		PS-0300142-KH	SPRING PIN 0.3X14	(1)
17		SS-6080340-SP	SCREW 1/8-44 L=2.9	(1)
18		131-16207	PRESSER FOOT SPRING	1
19		131-17007	PRESSER LIFTING LEVER SCREW	1
20		131-16306	PRESSER LIFTING LEVER SPRING	1
21		131-16900	PRESSER LIFTING LEVER	1
22		131-16405	PRESSER LIFTING HOOK	1
23		131-16504	LIFTING LEVER ARM SPRING	1
24		131-16603	PRESSER LIFTING LEVER SPRING	1
25		NM-6060003-SC	NUT M6	1
26		NS-6110420-SP	NUT 11/64-40	1
27		SM-6061200-SP	SCREW M6 L=12	1
28		SS-7110840-SP	SCREW 11/64-40 L=7.8	2
29		SS-7111410-TP	SCREW 11/64-40 L=14	1
30		SM-8050412-TP	SCREW M5 L=4	1
31		400-34897	PRESSER ADJUSTING SCREW	1
32		131-15654	PRESSER BAR ASM.	1
33		122-88700	PRESSER REGULATOR SCREW WASHER	1
34		131-17106	PRESSER REGULATOR NUT	1
35		132-12709	PRESSER BAR COVER	1
36		131-70402	RUBBER RING	2
37		131-70402	RUBBER RING	1
38		SM-8040402-TP	SCREW M4X0.7 L=4	1
39		132-12501	PRESSER BAR BUSHING	1
40		SS-6121020-SP	SCREW 3/16-28 L=9.5	1
41		132-12808	ADJUSTING BASE	1
42		132-13012	ADJUSTING SCREW	1
43		132-12915	ADJUSTING BLOCK	1
44		131-23302	ADJUSTING SPRING	1
45		SS-7150740-SP	SCREW 15/64-28 L=7	2
46		WP-0460556-SD	WASHER 4.6X7.5X0.5	1
47		RE-0300000-K0	E-RING 3	1
48		700-04672	SLIDE BLOCK	1
49		SS-8080310-TP	SCREW 1/8-44 L=2.8	1

10. PRESSER FOOT COMPONENTS (2)



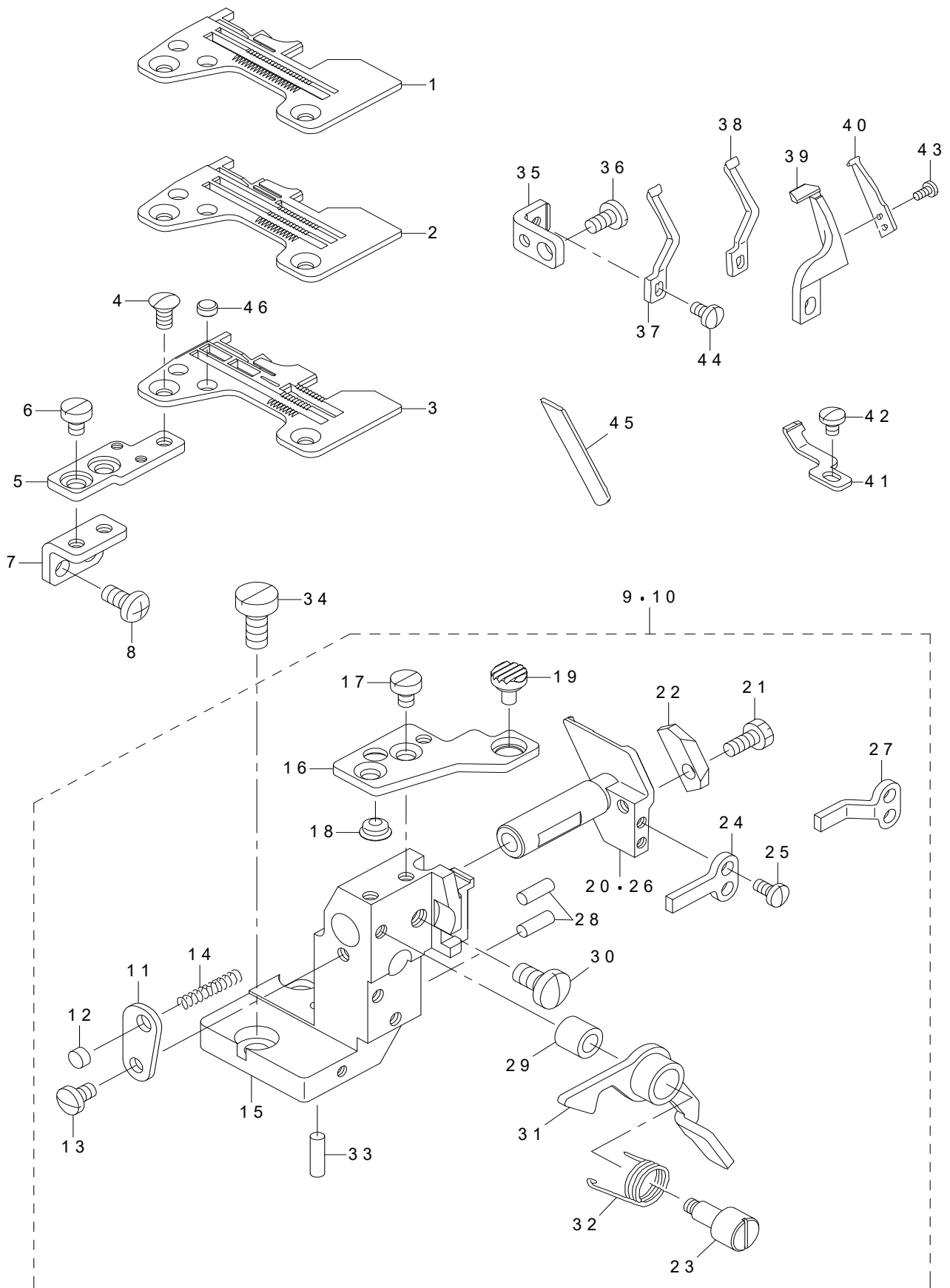
REF.NO	NOTE	PART NO	DESCRIPTION	Qty
1		131-17205	PRESSER FOOT ARM	1
2		131-16702	THREAD TRIMMER	1
3		SS-7060510-SP	SCREW 3/32-56 L=4.8	1
4	#01	118-76166	PRESSER FOOT ASM.	1
5		118-72009	PRESSER FOOT HINGE	(1)
6		SS-6090670-TP	SCREW 9/64-40 L=6	(1)
7		B1530-804-000	STOPPER	(1)
8		WP-0250516-SD	WASHER 2.5X6X0.5	(1)
9		SS-7060610-SP	SCREW 3/32-56 L=5.5	(1)
10		SS-6060210-SP	SCREW 3/32-56 L=1.9	(1)
11		B1511-814-000	REAR PRESSER FOOT	(1)
12		B1507-804-C00	PRESSER FOOT	(1)
13		SS-7080520-SP	SCREW 1/8-44 L=4.9	(1)
14		B1508-804-00B	SPRING	(1)
15		B1509-804-C00	STITCH TONGUE	(1)
16		SS-6060440-TP	SCREW 3/32-56 L=3.5	(1)
17		B1510-814-000	CURL GUARD	(1)
18		131-78306	FINGER GUIDE	(1)
19	#02	118-76869	PRESSER FOOT ASM.	1
20		118-72009	PRESSER FOOT HINGE	(1)
21		SS-6090670-TP	SCREW 9/64-40 L=6	(1)
22		B1530-804-000	STOPPER	(1)
23		WP-0250516-SD	WASHER 2.5X6X0.5	(1)
24		SS-7060610-SP	SCREW 3/32-56 L=5.5	(1)
25		SS-6060210-SP	SCREW 3/32-56 L=1.9	(1)
26		B1511-814-000	REAR PRESSER FOOT	(1)
27		B1507-814-00P	PRESSER FOOT	(1)
28		SS-4080620-TP	SCREW 1/8-44 L=6	(1)
29		B1508-804-00B	SPRING	(1)
30		B1509-814-00P	STITCH TONGUE	(1)
31		SS-6060440-TP	SCREW 3/32-56 L=3.5	(1)
32		B1510-814-000	CURL GUARD	(1)
33		131-78306	FINGER GUIDE	(1)
34		400-30533	PRESSER FOOT AUXILIARY PLATE	(1)
35	#03	121-53763	PRESSER FOOT ASM.	1
36		SS-6090670-TP	SCREW 9/64-40 L=6	(1)
37		121-64802	REAR PRESSER FOOT	(1)
38		121-67805	SPRING FOR REAR PRESSER FOOT	(1)
39		B1513-816-000	NUT FOR REAR PRESSER FOOT	(1)
40		121-67409	HINGE PIN	(1)
41		121-62202	PRESSER FOOT	(1)
42		121-67607	PRESSER FOOT ARM SPRING	(1)
43		121-67508	HINGE SCREW	(1)
44		SS-6060340-SP	SCREW 3/32-56 L=2.5	(1)
45		B1514-816-000	SCREW	(1)
46		121-67706	PRESSER FOOT	(1)
47		131-78405	FINGER GUIDE	(1)
48		121-56907	PRESSER FOOT HINGE	(1)
		NOTE	#01....FOR MO-6704S	
			#02....FOR MO-6714S	
			#03....FOR MO-6716S	

11. THREAD TENSION COMPONENTS



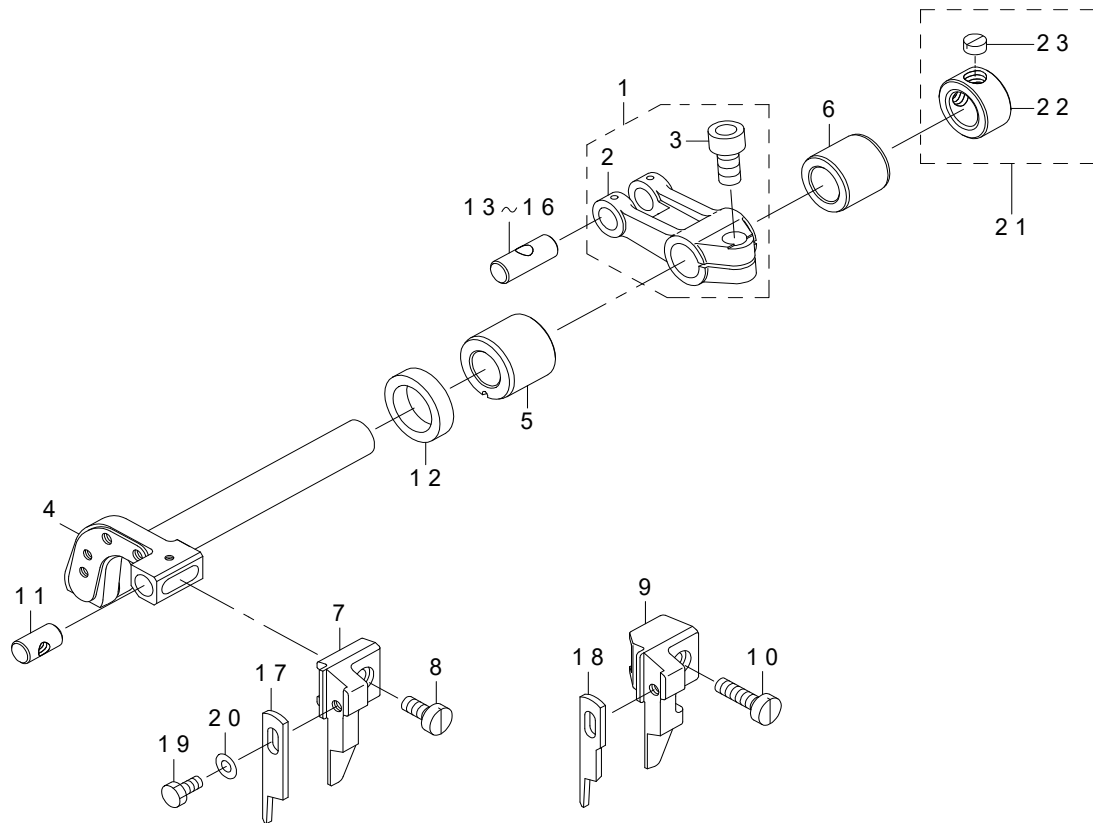
REF.NO	NOTE	PART NO	DESCRIPTION	Qty
1		132-25008	CENTER THREAD GUIDE	1
2		131-37559	THREAD TENSION SPRING COMPL.	1
3	#01	131-38359	THREAD TENSION SPRING COMPL.	1
4		131-38656	THREAD TENSION SPRING COMPL.	1
5		131-37807	THREAD TENSION SPRING RED	(1)
6		131-38508	THREAD TENSION SPRING YELLOW	(1)
7		131-38805	THREAD TENSION SPRING BLUE	(1)
8		131-37708	THREAD TENSION KNOB RED	(1)
9		131-38409	THREAD TENSION KNOB YELLOW	(1)
10		131-38706	THREAD TENSION KNOB BLUE	(1)
11		131-38904	THREAD TENSION BAR	(1)
12		131-37609	THREAD TENSION DISK PRESSER	(1)
13		131-37906	SPRING BUSHING	(1)
14		131-38102	THREAD TENSION SPRING FELT	(1)
15		131-38201	THREAD TENSION DISK	(2)
16		131-38003	THREAD TENSION RUBBER WASHER	(1)
17	#04	SS-8110410-TP	SCREW 11/64-40 L=3.5	2
18	#02	132-25107	TESION DISK THREAD GUIDE	3
19	#03	132-25107	TESION DISK THREAD GUIDE	4
20	#04	131-39555	THREAD TENSION POST CONPL.	1
21		131-40009	THREAD TENSION POST	(1)
22		131-39605	TESION DISK THREAD GUIDE	(1)
23		131-39902	THREAD TENSION SPRING FELT	(1)
24		131-39803	THREAD TENSION NUT	(1)
25		131-39704	THREAD TENSION SPRING	(1)
26		229-21407	ROTATION STOPPER	(1)
27		131-38201	THREAD TENSION DISK	(2)
28	#04	PS-0200052-KH	SPRING PIN 2.3X5	1
29	#02	SS-7110710-SL	SCREW 11/64-40 L=7.0	1
30		SS-4110615-SP	SCREW 11/64-40 L=6	2
31	#04	131-28202	THREAD CAM THREAD GUIDE BASE	1
32	#04	131-28301	THREAD CAM THREAD GUIDE A	1
33	#04	131-28400	THREAD CAM THREAD GUIDE B	1
34	#04	131-28509	LOWER THREAD CAM HOOK	1
35	#04	131-28608	LOWER THREAD GUIDE	1
36	#04	131-28707	THREAD GUIDE BASE SPRING	1
37	#04	131-29259	LOOPER THREAD CAM ASM.	1
38	#04	131-29457	LOWER THREAD CAM COMPL.	1
39	#04	B2202-816-000	SHAFT	1
40	#04	131-29101	LOWER THREAD CONDUIT GUIDE	1
41	#04	SS-5150510-SP	SCREW 15/64-28 L=5	1
42	#04	SD-0600341-TP	HINGE SCREW D=6.0 H=3.4	1
43	#04	WZ-0640312-K0	WAVED WASHER	1
44	#04	SM-4050855-SP	SCREW M5 L=8	1
45	#04	SS-4090415-SP	SCREW 9/64-40 L=4	1
46	#04	SS-4090415-SP	SCREW 9/64-40 L=4	1
47	#04	SS-4090415-SP	SCREW 9/64-40 L=4	1
48	#04	SS-4090415-SP	SCREW 9/64-40 L=4	1
49	#04	SS-4110515-SP	SCREW 11/64-40 L=5	1
		NOTE	#01....FOR MO-6704S(1 PC. IS USED.) FOR MO-6714S,MO-6916S (2 PC. ARE USED.)	
			#02....FOR MO-6704S	
			#03....FOR MO-6714S,MO-6716S	
			#04....FOR MO-6716S	

12. LOWER KNIFE COMPONENTS



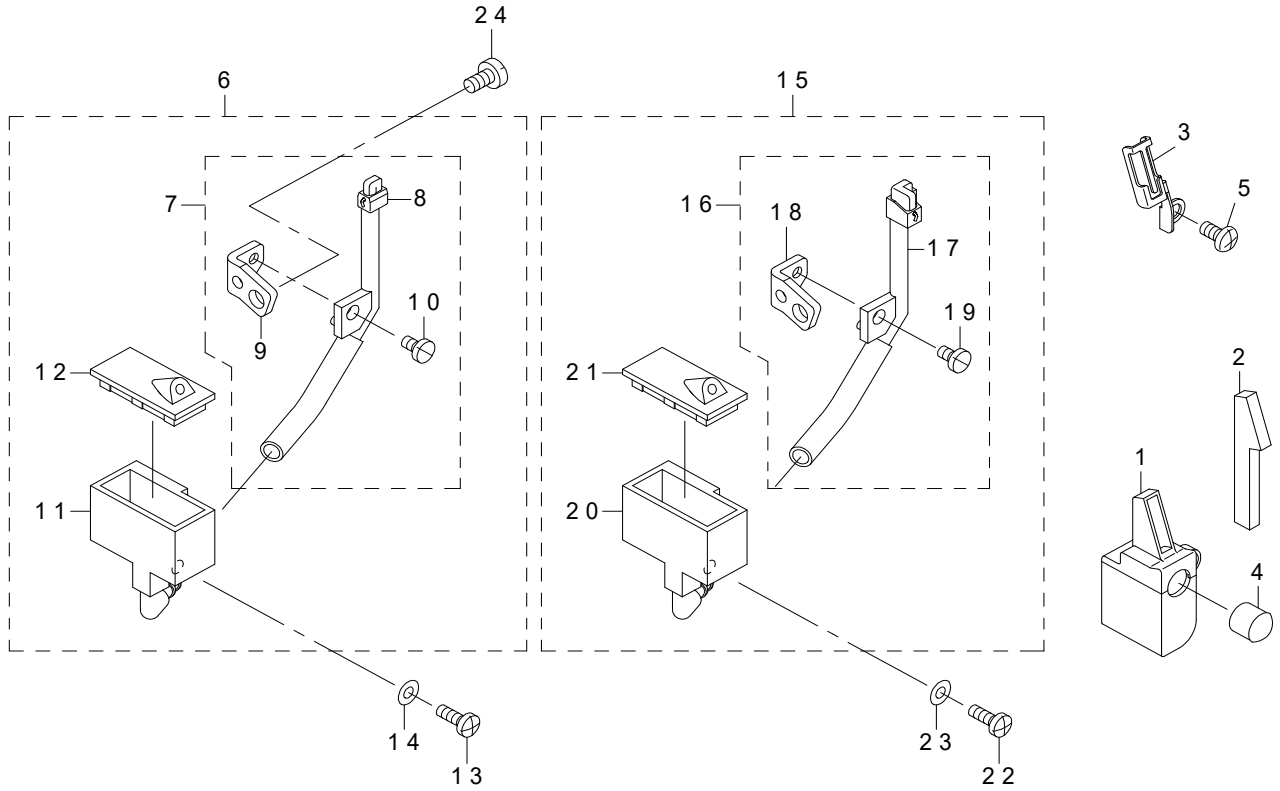
REF.NO	NOTE	PART NO	DESCRIPTION	Qty
1	#01	R4200-J6E-D00	THROAT PLATE	1
2	#02	R4305-J6E-E00	THROAT PLATE	1
3	#03	R4508-J6E-D00	THROAT PLATE	1
4		SS-2110910-SL	SCREW 11/64-40 L=9	2
5		131-51204	THROAT PLATE BASE B	1
6		SS-6110610-TP	SCREW 11/64-40 L=6	2
7		122-88908	THROAT PLATE BASE B SUPPORT	1
8		SM-4051055-SP	SCREW	2
9	#04	132-32657	LOWER KNIFE BRACKET ASM.	1
10	#03	132-32756	LOWER KNIFE BRACKET ASM.	1
11		131-49307	SPRING STOPPER	(1)
12		131-02702	THROAT PLATE COVER	(1)
13		SS-7110720-SP	SCREW 11/64-40 L=7	(1)
14		131-48101	SPRING	(1)
15		131-49406	LOWER KNIFE BRACKET	(1)
16		131-48309	THROAT PLATE BASE A	(1)
17		SS-6110610-TP	SCREW 11/64-40 L=6	(2)
18		131-49109	RUBBER PLUG B	(1)
19		132-35304	RUBBER PLUG A	(1)
20	#04	131-49505	LOWER KNIFE SLIDE STUD	(1)
21		SS-9111010-SP	SCREW 11/64-40 L=9.5	(1)
22		131-49208	LOWER KNIFE PRESSER PLATE	(1)
23		131-48408	LEVER SHAFT	(1)
24	#04	131-49703	ROTATING STOPPER	(1)
25		SS-7090710-SP	SCREW 9/64-40 L=6.8	(2)
26	#03	131-49604	LOWER KNIFE SLIDE STUD	(1)
27	#03	131-49802	ROTATING STOPPER	(1)
28		131-49901	HOLDER PIN	(2)
29		131-48903	RUBBER PLUG	(1)
30		SS-7151120-SP	SCREW 15/64-28 L=11	(1)
31		131-48556	LEVER ASM.	(1)
32		131-48804	LEVER SPRING	(1)
33		131-49901	HOLDER PIN	(1)
34		SS-6151440-SP	SCREW 15/64-28 L=14	2
35		131-51105	NEEDLE HOLDER SUPPORT	1
36		SS-7110840-SP	SCREW 11/64-40 L=7.8	1
37	#01	118-90100	NEEDLE GUARD	1
38	#02	118-90308	NEEDLE GUARD	1
39	#03	120-15301	NEEDLE HOLDER	1
40	#03	120-15400	NEEDLE HOLDER	1
41	#03	121-77903	NEEDLE HOLDER	1
42	#03	SS-7090510-SP	SCREW 9/64-40 L=4.6	1
43	#03	SS-7060510-SP	SCREW 3/32-56 L=4.8	2
44		SS-7090610-SP	SCREW 9/64-40 L=6	1
45		131-50701	LOWER KNIFE	1
46		131-02702	THROAT PLATE COVER	2
		NOTE	#01....FOR MO-6704S #02....FOR MO-6714S #03....FOR MO-6716S #04....FOR MO-6704S,MO-6714S	

13. UPPER KNIFE COMPONENTS



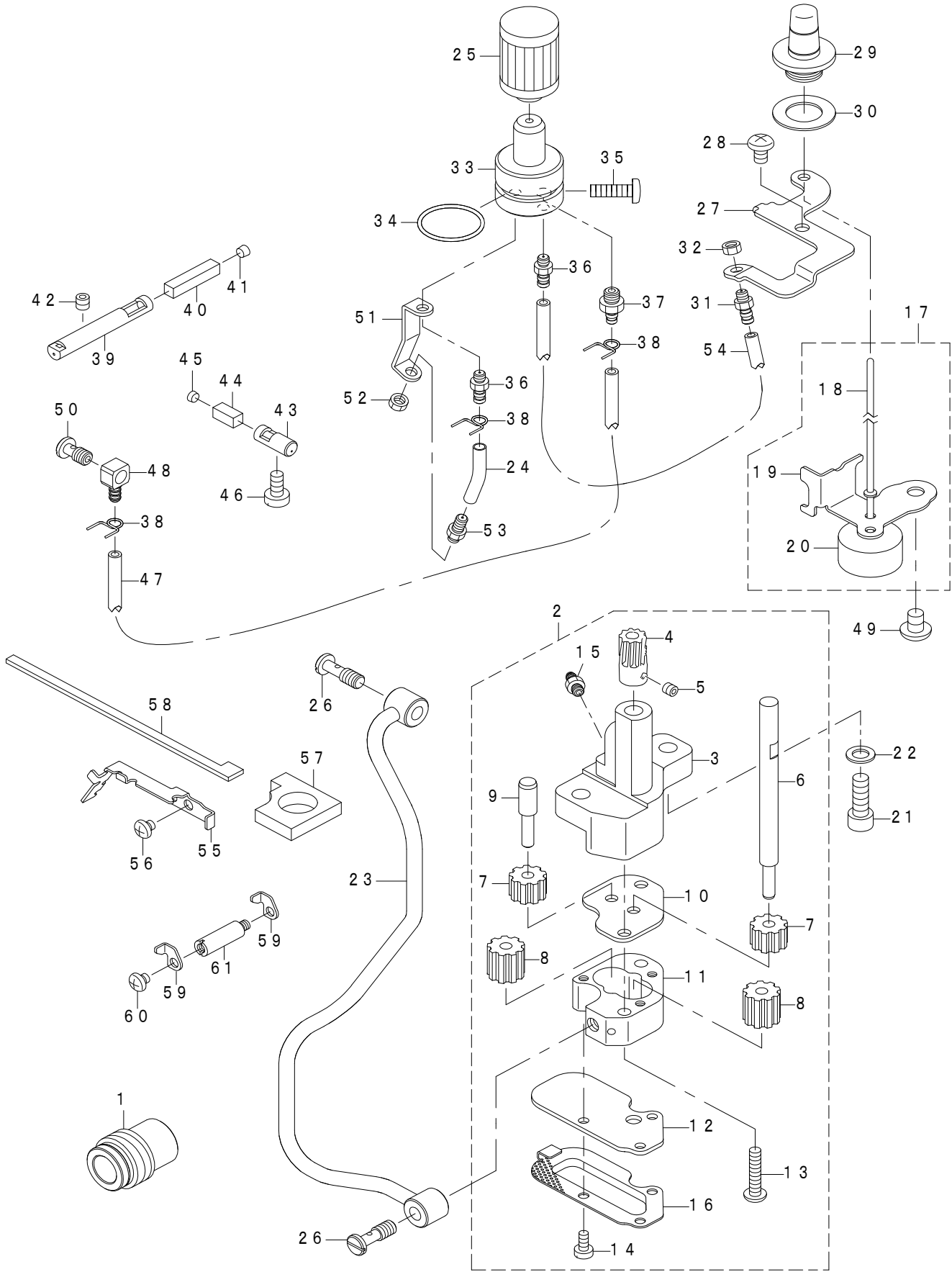
REF.NO	NOTE	PART NO	DESCRIPTION	Qty
1		131-47558	FEED FORKED ARM ASM.	1
2		131-47509	FEED FORKED ARM	(1)
3		SM-6061402-TP	SCREW M6 L=14	(1)
4		131-51303	KNIFE DRIVING ARM SHAFT	1
5		131-50909	BUSHING FRONT	1
6		131-51006	BUSHING REAR	1
7	#01	131-47400	PLAIN KNIFE SUPPORT A	1
8	#01	SS-6111040-SP	SCREW 11/64-40 L=9.5	1
9	#02	131-47301	PLAIN KNIFE SUPPORT	1
10	#02	SS-6111610-SP	SCREW 11/64-40 L=16	1
11		131-50800	UPPER KNIFE GUIDE SHAFT	1
12		115-66809	OIL SEAL	1
13	#03	131-22007	CRANK PIN A	1
14	#03	131-22106	CRANK PIN B	1
15	#03	131-22205	CRANK PIN C	1
16	#03	131-22304	CRANK PIN D	1
17	#01	131-50503	PLAIN KNIFE	1
18	#02	131-50602	PLAIN KNIFE	1
19		SS-9090823-TP	BOLT 9/64-40 L=8	1
20		WP-0370316-SD	WASHER 3.7X8X0.3	1
21		CS-111101H-SH	THRUST COLLAR ASM.	1
22		CS-1111019-SH	THRUST COLLAR D=11.11 W=10	(1)
23		SS-8660330-SP	SCREW 1/4-40 L= 3.0	(1)
	NOTE		#01....FOR MO-6704S,MO-6714S #02....FOR MO-6716S #03....SELECTIVE PARTS	

14. NEEDLE COOLING MECHANISM COMPONENTS (FOR SH)



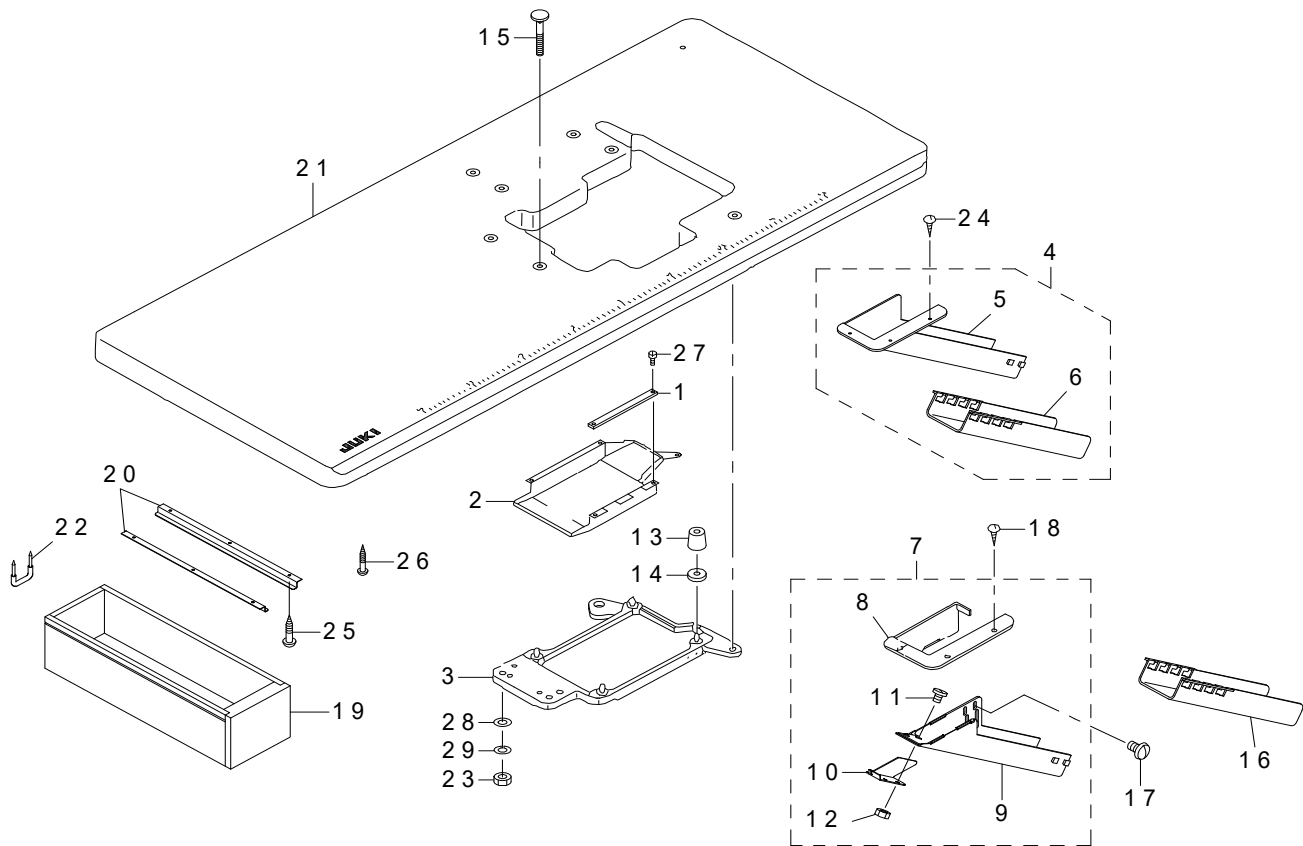
REF.NO	NOTE	PART NO	DESCRIPTION	Qty
1		131-63456	SILICON TANK ASM.	1
2		131-63803	NEEDLE THREAD FELT	1
3		131-63902	NEEDLE THREAD FELT PRESSER	1
4		TA-0950806-R0	RUBBER PLUG	1
5		SM-4040855-SP	SCREW	1
6	#01	131-62557	NEEDLE COOLER UNIT ASM. (OVER)	1
7		131-62565	NEEDLE COOLER UNIT COMPL.	(1)
8		131-62573	NEEDLE COOLER UNIT ASM. (OVER)	(1)
9		131-62805	NEEDLE COOLER SUPPORT	(1)
10		SS-7090610-SP	SCREW 9/64-40 L=6	(1)
11		131-62904	TANK	(1)
12		131-63001	TANK COVER	(1)
13		SS-4091015-SP	SCREW 9/64-40 L=10	1
14		WP-0371026-SD	WASHER 3.7X7X1	1
15	#02	131-63159	NEEDLE COOLER UNIT ASM.(INTER)	1
16		131-63167	NEEDLE COOLER COMPL.(INTER)	(1)
17		131-63175	NEEDLE COOLER ASM.(INTER)	(1)
18		131-62805	NEEDLE COOLER SUPPORT	(1)
19		SS-7090610-SP	SCREW 9/64-40 L=6	(1)
20		131-62904	TANK	(1)
21		131-63001	TANK COVER	(1)
22		SS-4091015-SP	SCREW 9/64-40 L=10	1
23		WP-0371026-SD	WASHER 3.7X7X1	1
24		SS-7110840-SP	SCREW 11/64-40 L=7.8	1
	NOTE		#01....FOR MO-6704S,MO-6714S	
			#02....FOR MO-6716S	

15. LUBRICATION MECHANISM COMPONENTS



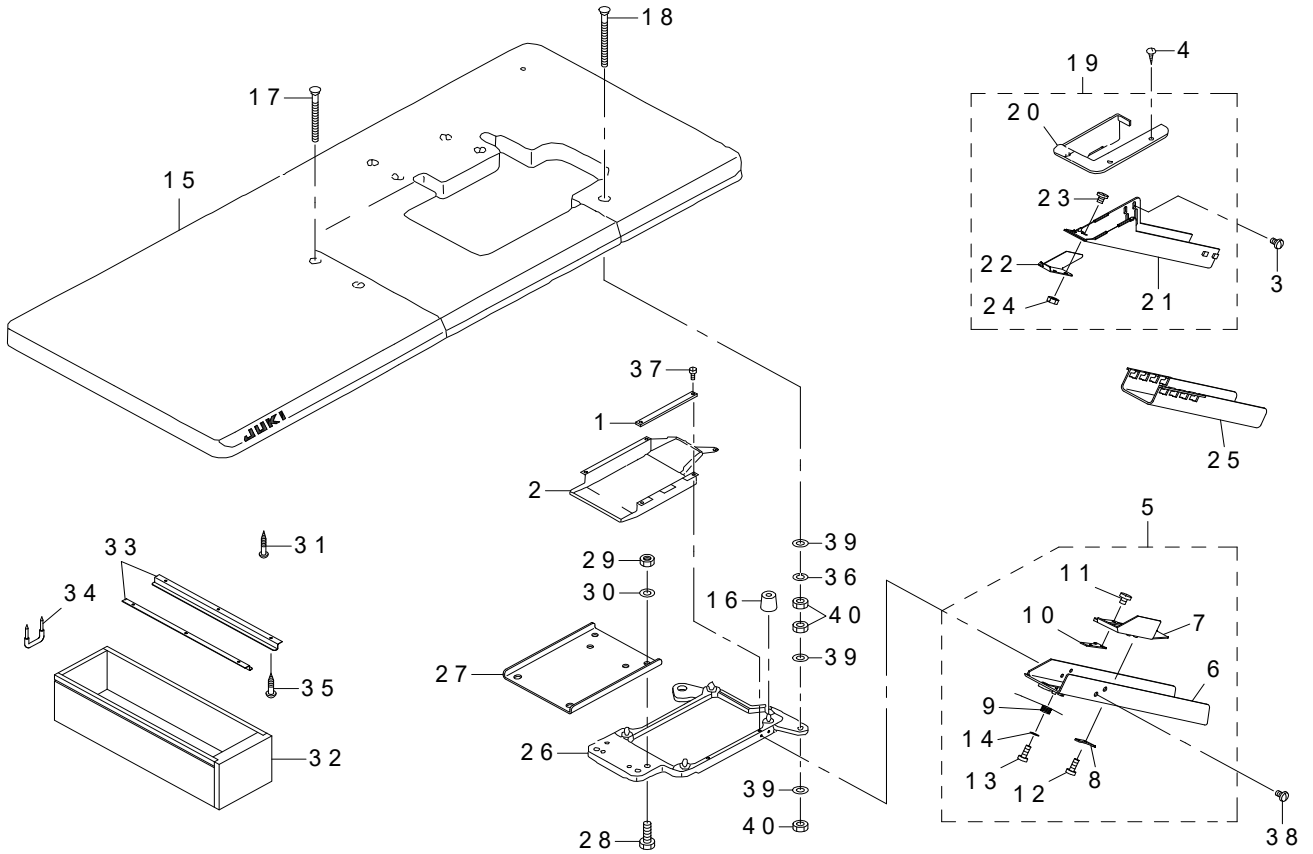
REF.NO	NOTE	PART NO	DESCRIPTION	Qty
1		132-30305	WORM	1
2		400-18044	OIL PUMP ASM	1
3		123-15909	OIL PUMP	(1)
4		133-43009	WORM WHEEL	(1)
5		SM-8050412-TP	SCREW M5 L=4	(2)
6		119-18109	GEAR PUMP SHAFT LARGE	(1)
7		B3534-352-000	PINION GEAR	(2)
8		118-40303	OIL PUMP PINION	(2)
9		123-17004	GEAR PUMP SHAFT	(1)
10		123-16006	PINION SPACER	(1)
11		123-16105	CASING	(1)
12		400-16762	PUMP COVER	(1)
13		SS-4112215-SP	SCREW 11/64-40 L=22	(2)
14		SS-6090810-SP	SCREW 9/64-40 L=7.5	(3)
15		SQ-1110401-MZ	CONNECTING SCREW	(1)
16		400-16763	PUMP NET	(1)
17		132-29356	FLOAT ASM.	1
18		121-29904	OIL GAUGE BAR	(1)
19		132-29307	FLOAT SUPPORT	(1)
20		121-29805	FLOAT	(1)
21		SM-6061802-TP	SCREW M6 L=18	2
22		WP-0651056-SD	WASHER 6.5X11X1	2
23		132-28655	LUBRICATION MECHANISM PIPE ASM	1
24		BP-3000001-0R	VINYL PIPE	0.03
25		131-42500	CARTRIDGE FILTER	1
26		SQ-1150454-SD	CONNECTING SCREW	2
27		131-43805	EXHAUST PORT SUPPORT	1
28		SM-4050855-SP	SCREW	1
29		131-43300	OIL GAUGE	1
30		131-44001	OIL GAUGE GASKET	1
31		SQ-1110451-MZ	CONNECTING SCREW	1
32		NS-6110310-SP	NUT 11/64-40	1
33		131-42955	FILTER GUIDE ASM.	1
34		131-70808	RUBBER RING	1
35		SM-4051601-SC	SCREW M5X0.8 L=16	1
36		SQ-1110451-MZ	CONNECTING SCREW	2
37		SQ-1150451-MZ	CONNECTING SCREW	1
38		131-42609	OIL TUBE HOLDER	3
39		131-44100	OILING PIN	1
40		131-44209	OIL FELT	1
41		TA-0400301-M0	PLUG D=4X4.5 L=3	1
42		SM-8050502-TP	SCREW M5 L=5	1
43		131-43417	UPPER LOOPER OILING PIN	1
44		131-43508	OIL FELT	1
45		132-30107	UPPER LOOPER OILING PIN PLUG	1
46		SS-6121020-SP	SCREW 3/16-28 L=9.5	1
47		BP-3000001-0R	VINYL PIPE	0.29
48		SQ-0000451-MZ	CONNECTING SCREW	1
49		SM-4060801-SE	SCREW	1
50		SQ-1150441-SD	CONNECTING SCREW	1
51		132-29208	WORM EXHAUST PORT GUIDE	1
52		NS-6110310-SP	NUT 11/64-40	1
53		SQ-1110451-MZ	CONNECTING SCREW	1
54		236-30007	TUBE	0.17
55		132-28804	OIL FELT GUIDE	1
56		310-18005	SCREW	2
57		132-29109	OIL FELT B	1
58		132-29406	OIL FELT A	1
59		132-28903	OIL FELT PRESSER	2
60		310-18005	SCREW	1
61		132-29000	FELT PRESSER SPACER	1

16. SEMI-SUNKEN TYPE TABLE COMPONENTS



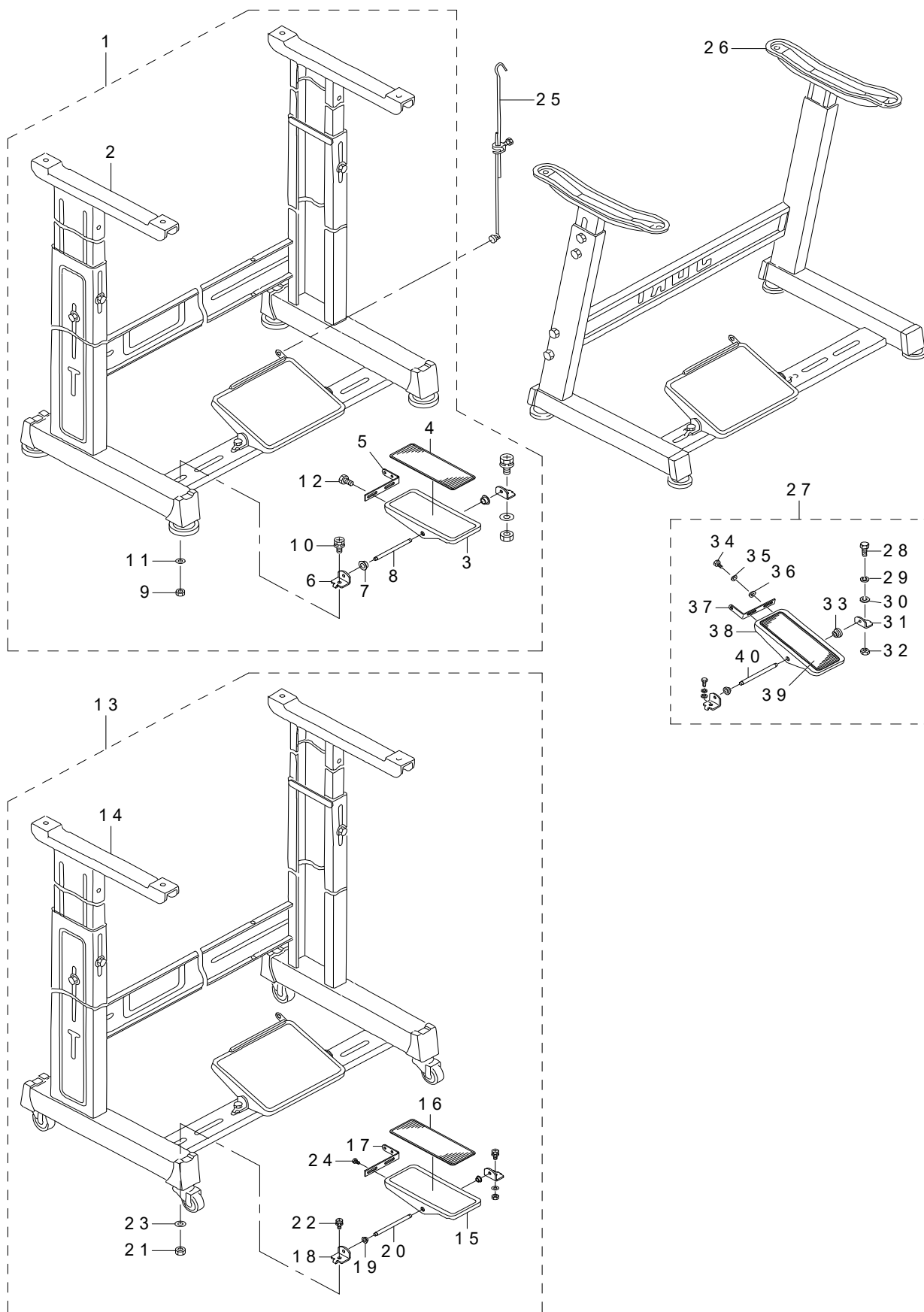
REF.NO	NOTE	PART NO	DESCRIPTION	Qty
1		131-61005	CASE SPONGE	1
2		131-60908	COOLING FAN CASE	1
3		131-61153	FRAME SUPPORT PLATE ASM.	1
4	#01	123-41954	CLOTH WASTE CHUTE ASM.	1
5		123-41905	CLOTH WASTE CHUTE(SEMI-SUNKEN)	(1)
6		123-41806	CLOTH WASTE CHUTE	(1)
7	#02	131-55759	CLOTH WASTE CHUTE ASM.	1
8		131-55601	CLOTH WASTE CHUTE INLET	(1)
9		131-55700	CLOTH WASTE CHUTE UPPER	(1)
10		131-55502	CHUTE SUPPORT	(1)
11		SS-5090610-SP	SCREW 9/64-40 L=6	(3)
12		NS-6090310-SP	NUT 9/64-40	(3)
13		131-55403	DUST-PROOF RUBBER	4
14		131-56500	DUST-PROOF RUBBER SPACER	4
15		131-55007	HOLDING PLATE BOLT	4
16	#02	123-41806	CLOTH WASTE CHUTE	1
17	#02	SS-5110710-SP	SCREW 11/64-40 L=7	2
18	#02	SK-2351600-SC	WOOD SCREW D=3.5 L=16	3
19		111-55108	DRAWER	1
20		111-55207	DRAWER SUPPORT	2
21		119-59400	TABLE (SEMI-SUNKEN)	1
22		D8204-555-D00	DRAWER STOPPER	1
23		NS-6240630-SE	NUT 3/8-18	4
24	#01	SK-2351600-SC	WOOD SCREW D=3.5 L=16	3
25		SK-3311500-SC	WOOD SCREW D=3.1 L=15	6
26		SK-3513200-SC	WOOD SCREW D=5.1 L=32	4
27		SS-6090630-TP	SCREW 9/64-40 L=6	5
28		WP-1002036-SE	WASHER 10X21X2	4
29		WS-1002560-KR	SPRING WASHER 10X18X2.5	4
	NOTE		#01.....EXCEPT JE #02.....FOR JE	

17. FULLY-SUNKEN TYPE TABLE COMPONENTS



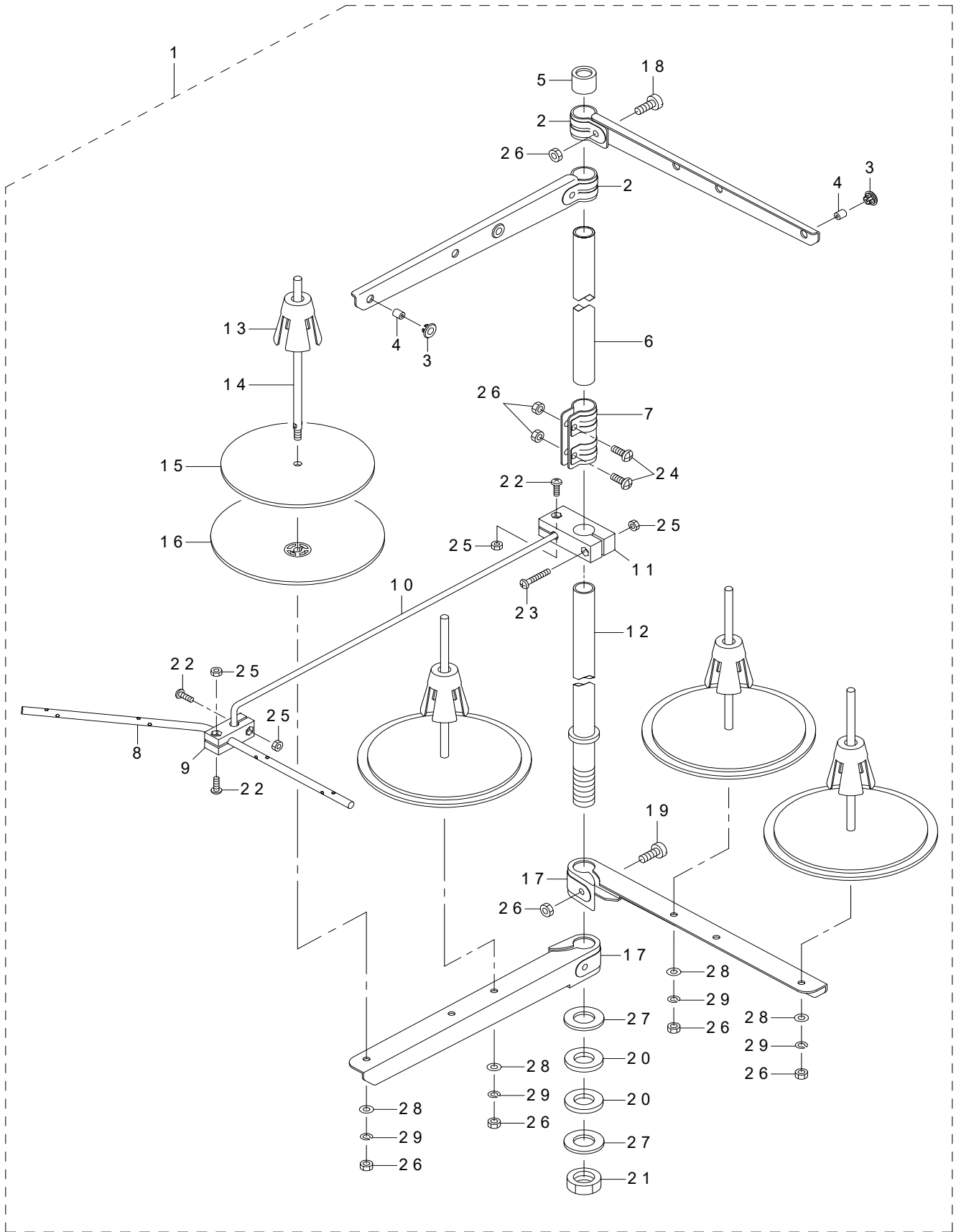
REF.NO	NOTE	PART NO	DESCRIPTION	Qty
1		131-61005	CASE SPONGE	1
2		131-60908	COOLING FAN CASE	1
3	#02	SS-5110710-SP	SCREW 11/64-40 L=7	2
4	#02	SK-2351600-SC	WOOD SCREW D=3.5 L=16	3
5	#01	131-55858	CLOTH WASTE CHUTE ASM.	1
6		131-56203	CLOTH WASTE CHUTE	(1)
7		131-56302	CLOTH WASTE CHUTE INLET	(1)
8		131-55908	CHUTE INLET LEVER	(1)
9		131-56005	CHUTE INLET SPRING	(1)
10		131-56104	CHUTE INLET RUBBER	(1)
11		SS-6090420-SP	SCREW 9/64-40 L=4.0	(2)
12		ST-6030821-0A	SCREW D=3-24 L=8	(2)
13		ST-6030821-0A	SCREW D=3-24 L=8	(1)
14		WP-0370316-SD	WASHER 3.7X8X0.3	(1)
15		119-59558	TABLE ASM.	1
16		131-55403	DUST-PROOF RUBBER	4
17		131-55106	HOLDING PLATE BOLT C	2
18		131-55205	HOLDING PLATE BOLT D	2
19	#02	131-55759	CLOTH WASTE CHUTE ASM.	1
20		131-55601	CLOTH WASTE CHUTE INLET	(1)
21		131-55700	CLOTH WASTE CHUTE UPPER	(1)
22		131-55502	CHUTE SUPPORT	(1)
23		SS-5090610-SP	SCREW 9/64-40 L=6	(3)
24		NS-6090310-SP	NUT 9/64-40	(3)
25	#02	123-41806	CLOTH WASTE CHUTE	1
26		131-61153	FRAME SUPPORT PLATE ASM.	1
27		131-55304	FRAME HOLDING PLATE COUPLING	1
28		SM-9082513-CF	SCREW M8 L=25	4
29		NM-6080600-SM	NUT M8	4
30		WP-0850002-SC	WASHER 8.5X18X1.6	4
31		SK-3513200-SC	WOOD SCREW D=5.1 L=32	4
32		111-55108	DRAWER	1
33		111-55207	DRAWER SUPPORT	2
34		D8204-555-D00	DRAWER STOPPER	1
35		SK-3311500-SC	WOOD SCREW D=3.1 L=15	6
36		WS-1002560-KR	SPRING WASHER 10X18X2.5	4
37		SS-6090630-TP	SCREW 9/64-40 L=6	5
38	#01	SS-5110710-SP	SCREW 11/64-40 L=7	2
39		WP-1002036-SE	WASHER 10X21X2	12
40		NS-6240630-SE	NUT 3/8-18	12
		NOTE	#01....EXCEPT JE #02....FOR JE	

18. STAND COMPONENTS (Z / T)



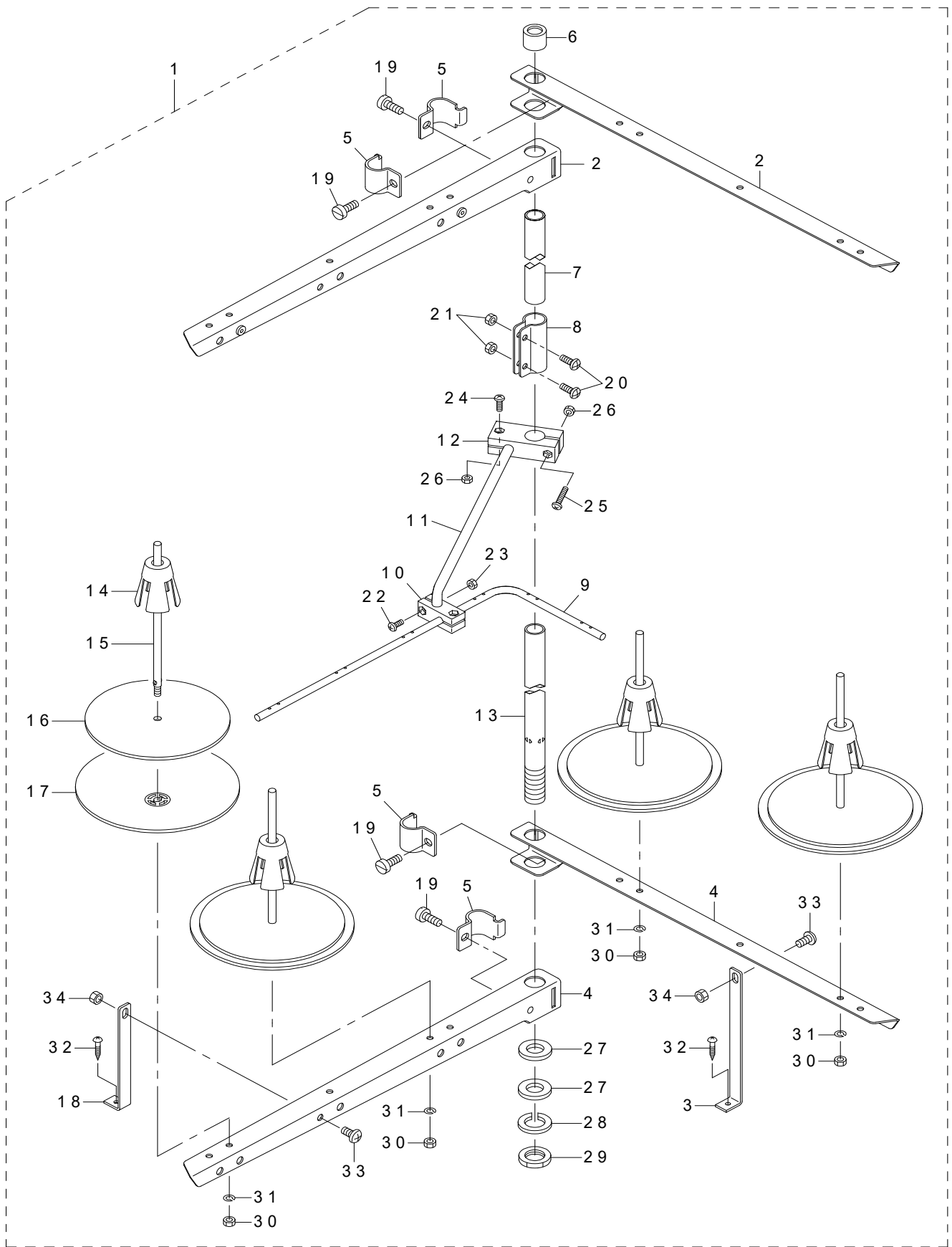
REF.NO	NOTE	PART NO	DESCRIPTION	Qty
1		119-60655	T STAND JUNCTION	1
2		111-57567	T LEG JUNCTION	(1)
3		GPF-06060000	PEDAL	(1)
4		GPF-06070000	PEDAL MAT	(1)
5		GPF-06080000	PEDAL ADJUSTING PLATE	(1)
6		111-59001	PEDAL SHAFT BRACKET	(2)
7		D8113-555-B00	PEDAL BUSHING	(2)
8		B8153-771-000	PEDAL CONNECTING ROD	(1)
9		NM-6080001-SE	NUT M8	(2)
10		SL-9082091-SE	WASHER HEXAGONAL BOLT	(2)
11		WP-0871602-SE	WASHER 8.7X18X1.6	(2)
12		SL-9061291-SE	WASHER HEXAGONAL BOLT M6 L=12	(2)
13		119-60754	T STAND JUNCTION(WITH CASTER)	1
14		111-59365	T STAND JUNCTION	(1)
15		GPF-06060000	PEDAL	(1)
16		GPF-06070000	PEDAL MAT	(1)
17		GPF-06080000	PEDAL ADJUSTING PLATE	(1)
18		111-59001	PEDAL SHAFT BRACKET	(2)
19		D8113-555-B00	PEDAL BUSHING	(2)
20		B8153-771-000	PEDAL CONNECTING ROD	(1)
21		NM-6080001-SE	NUT M8	(2)
22		SL-9082091-SE	WASHER HEXAGONAL BOLT	(2)
23		WP-0871602-SE	WASHER 8.7X18X1.6	(2)
24		SL-9061291-SE	WASHER HEXAGONAL BOLT M6 L=12	(2)
25		B7114-012-0A0	MOTOR CONNECTING ROD ASM.	1
26		111-51065	Z LEG JUNCTION (B)	1
27		B8151-771-0A0	PEDAL ASM.	1
28		SM-9082023-SE	SCREW M8 L=20	(2)
29		WS-0861410-KR	SPRING WASHER 8.6X15X1.4	(2)
30		WP-0871602-SE	WASHER 8.7X18X1.6	(4)
31		111-51909	PEDAL SHAFT BRACKET	(2)
32		NM-6080721-SE	NUT M8	(2)
33		D8113-555-B00	PEDAL BUSHING	(2)
34		SM-9061203-SE	SCREW M6 L=12	(2)
35		WS-0621210-KR	SPRING WASHER 6.2X11.4X1.2	(2)
36		WP-0671016-SE	WASHER 6.7X13X1	(2)
37		112-46600	PEDAL ADJUSTING PLATE	(1)
38		112-46501	PEDAL	(1)
39		B8152-771-000	PEDAL MAT	(1)
40		B8153-771-000	PEDAL CONNECTING ROD	(1)

19. THREAD STAND COMPONENTS (FOR MO-6704S,MO-6714S)



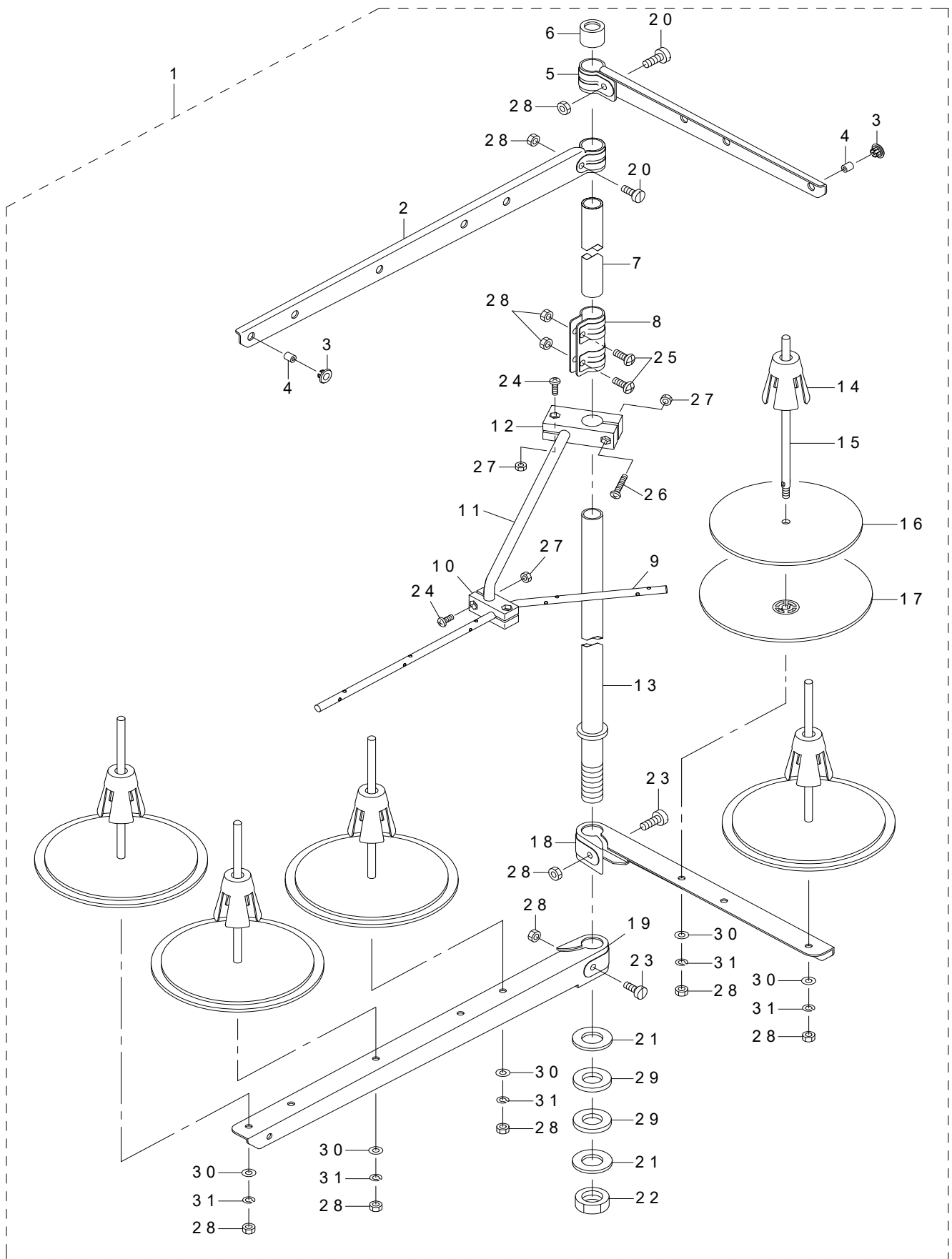
REF.NO	NOTE	PART NO	DESCRIPTION	Qty
1		401-06590	THREAD STAND ASM.	1
2		400-85787	SPOOL REST ARM UPPER	(2)
3		400-85795	THREAD GUIDE BUSHING	(4)
4		400-85794	THREAD GUIDE	(4)
5		400-85793	SPOOL REST ROD RUBBER CAP	(1)
6		400-85785	SPOOL REST ROD UPPER	(1)
7		400-85792	SPOOL REST ROD JOINT	(1)
8		401-06582	THREAD GUIDE 4	(1)
9		401-06580	THREAD GUIDE UNDER BASE	(1)
10		401-06576	THREAD GUIDE ARM	(1)
11		401-06579	THREAD GUIDE ARM BASE	(1)
12		400-85784	SPOOL REST ROD LOWER	(1)
13		400-85791	SPOOL RETAINER	(4)
14		400-85790	SPOOL PIN	(4)
15		400-85789	SPOOL REST CUSHION	(4)
16		400-85788	SPOOL REST	(4)
17		400-85786	SPOOL REST ARM LOWER	(2)
18		400-96327	SPOOL REST ARM UPPER SCREW	(2)
19		400-96326	SPOOL REST ARM LOWER SCREW	(2)
20		400-85796	SPOOL REST ROD RUBBER CUSHION	(2)
21		400-96325	SPOOL REST ROD NUT	(1)
22		SM-4041201-SC	SCREW M4 L=12	(3)
23		SM-4042501-SC	SCREW M4X0.7 L=25	(1)
24		SM-4051405-SE	SCREW M5 L=14	(2)
25		NM-6040002-SC	NUT M4	(4)
26		NM-6050001-SE	NUT M5	(10)
27		WP-1612616-SE	WASHER 16X30X2.6	(2)
28		WP-0531001-SC	WASHER M5	(4)
29		WS-0510002-KN	SPRING WASHER M5	(4)

20. THREAD STAND COMPONENTS (MO-6704S,MO-6714S SPECIAL ORDER PARTS)



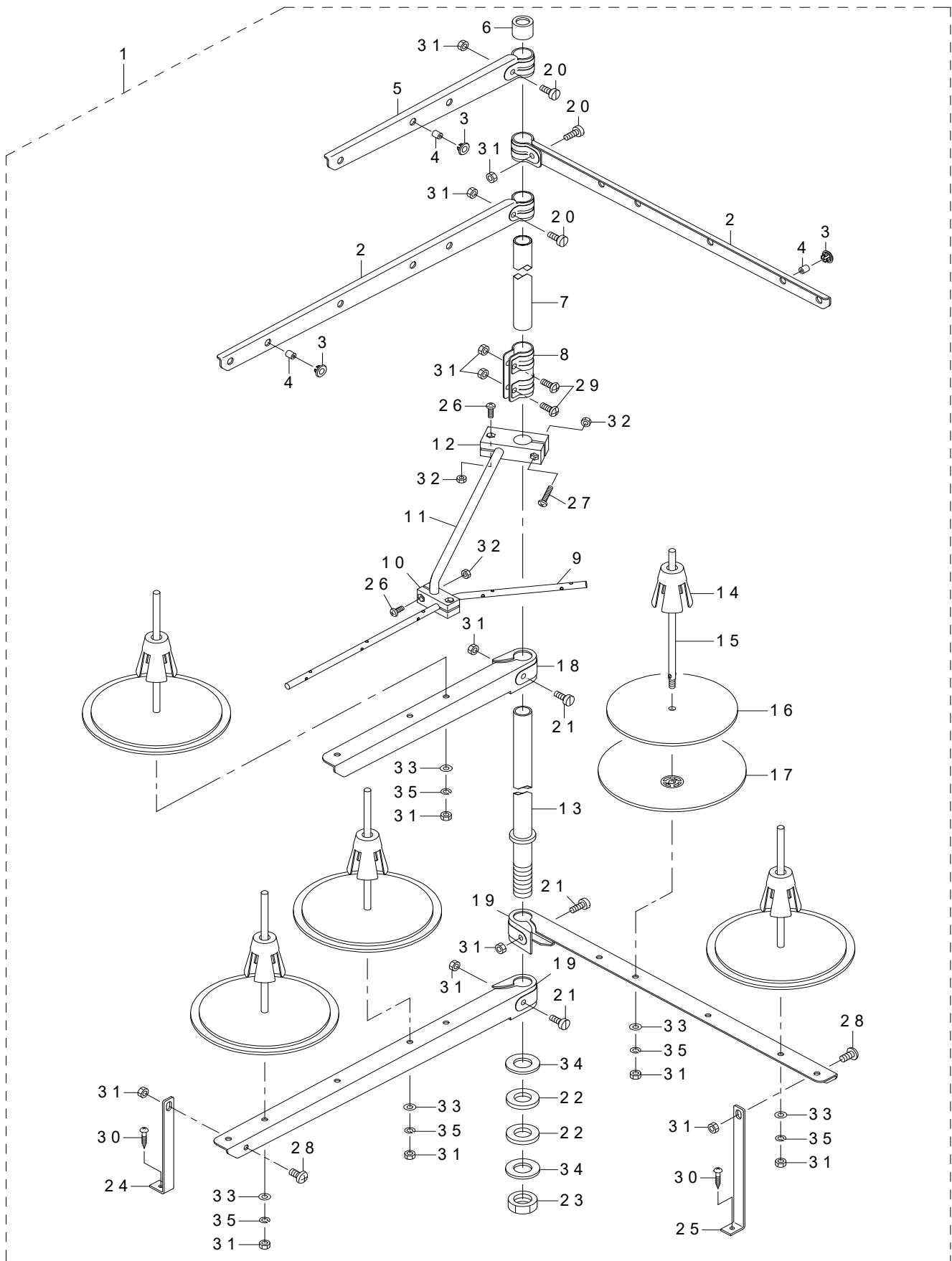
REF.NO	NOTE	PART NO	DESCRIPTION	Qty
1		401-06593	THREAD STAND ASM.	1
2		401-06575	SPOOL REST LONG ARM UPPER	(2)
3		400-85795	THREAD GUIDE BUSHING	(4)
4		400-85794	THREAD GUIDE	(4)
5		400-96327	SPOOL REST ARM UPPER SCREW	(2)
6		401-06577	SPOOL REST ARM LOWER A	(1)
7		401-06574	SPOOL REST LONG ARM LOWER	(2)
8		400-96326	SPOOL REST ARM LOWER SCREW	(2)
9		401-06578	SPOOL REST ARM LOWER B	(1)
10		400-85784	SPOOL REST ROD LOWER	(1)
11		400-96325	SPOOL REST ROD NUT	(1)
12		400-85789	SPOOL REST CUSHION	(4)
13		400-85796	SPOOL REST ROD RUBBER CUSHION	(2)
14		400-85785	SPOOL REST ROD UPPER	(1)
15		400-85793	SPOOL REST ROD RUBBER CAP	(1)
16		400-85792	SPOOL REST ROD JOINT	(1)
17		401-06576	THREAD GUIDE ARM	(1)
18		401-06579	THREAD GUIDE ARM BASE	(1)
19		401-06582	THREAD GUIDE 4	(1)
20		401-06580	THREAD GUIDE UNDER BASE	(1)
21		400-85788	SPOOL REST	(4)
22		400-85790	SPOOL PIN	(4)
23		400-85791	SPOOL RETAINER	(4)
24		SM-4041201-SC	SCREW M4 L=12	(3)
25		SM-4051405-SE	SCREW M5 L=14	(2)
26		SM-4042501-SC	SCREW M4X0.7 L=25	(1)
27		SM-4051001-SE	SCREW M5 L=10	(2)
28		SK-3412001-SE	WOOD SCREW D=4.1 L=20	(2)
29		NM-6050001-SE	NUT M5	(12)
30		NM-6040002-SC	NUT M4	(4)
31		WP-0531001-SC	WASHER M5	(4)
32		WP-1612616-SE	WASHER 16X30X2.6	(2)
33		WS-0510002-KN	SPRING WASHER M5	(4)

21. THREAD STAND COMPONENTS (FOR MO-6716S)



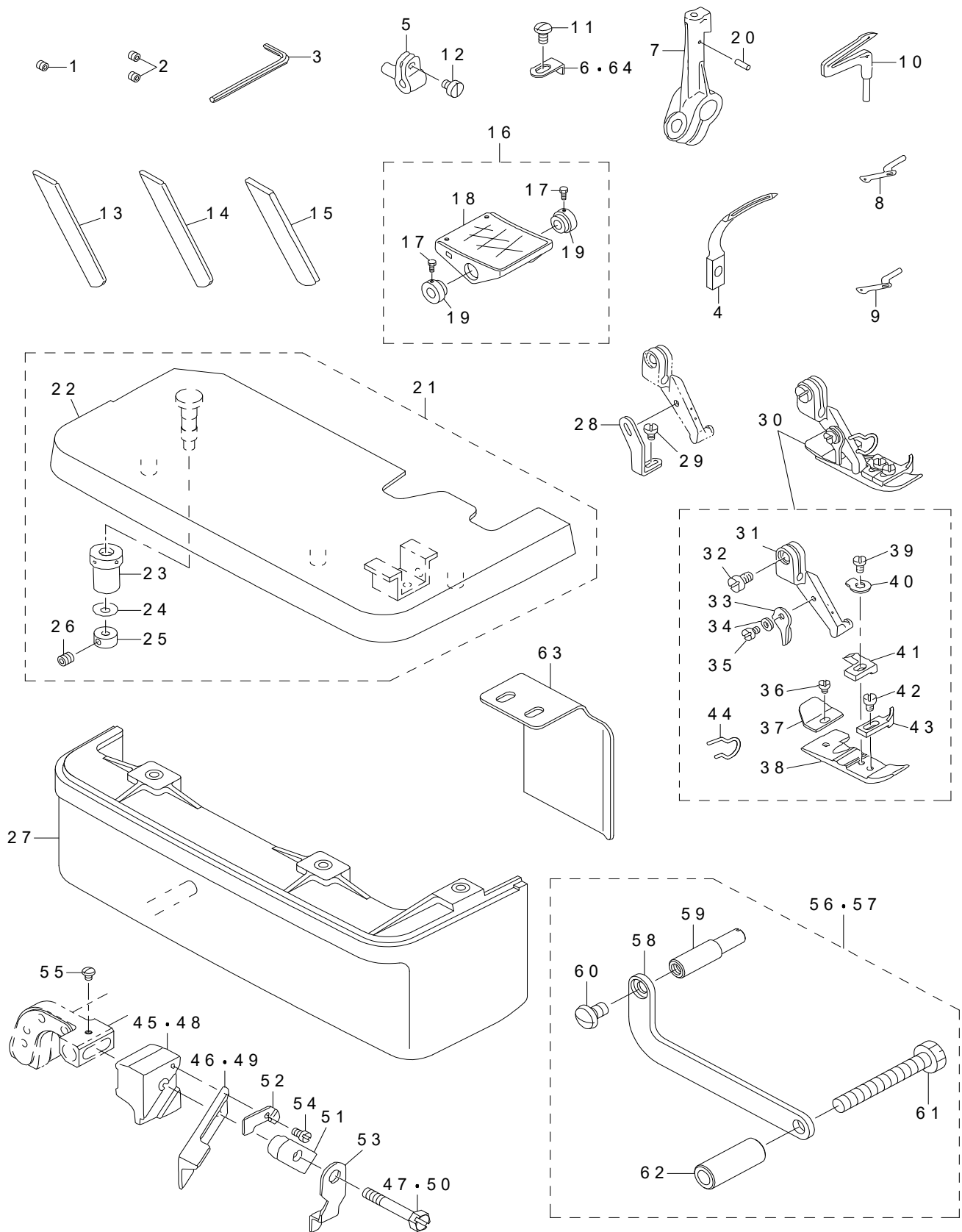
REF.NO	NOTE	PART NO	DESCRIPTION	Qty
1		401-06591	THREAD STAND ASM.	1
2		401-06575	SPOOL REST LONG ARM UPPER	(1)
3		400-85794	THREAD GUIDE	(5)
4		400-85795	THREAD GUIDE BUSHING	(5)
5		400-85787	SPOOL REST ARM UPPER	(1)
6		400-85793	SPOOL REST ROD RUBBER CAP	(1)
7		400-85785	SPOOL REST ROD UPPER	(1)
8		400-85792	SPOOL REST ROD JOINT	(1)
9		401-06581	THREAD GUIDE 5	(1)
10		401-06580	THREAD GUIDE UNDER BASE	(1)
11		401-06576	THREAD GUIDE ARM	(1)
12		401-06579	THREAD GUIDE ARM BASE	(1)
13		400-85784	SPOOL REST ROD LOWER	(1)
14		400-85791	SPOOL RETAINER	(5)
15		400-85790	SPOOL PIN	(5)
16		400-85789	SPOOL REST CUSHION	(5)
17		400-85788	SPOOL REST	(5)
18		400-85786	SPOOL REST ARM LOWER	(1)
19		401-06574	SPOOL REST LONG ARM LOWER	(1)
20		400-96327	SPOOL REST ARM UPPER SCREW	(2)
21		400-85796	SPOOL REST ROD RUBBER CUSHION	(2)
22		400-96325	SPOOL REST ROD NUT	(1)
23		400-96326	SPOOL REST ARM LOWER SCREW	(2)
24		SM-4041201-SC	SCREW M4 L=12	(3)
25		SM-4051405-SE	SCREW M5 L=14	(2)
26		SM-4042501-SC	SCREW M4X0.7 L=25	(1)
27		NM-6040002-SC	NUT M4	(4)
28		NM-6050001-SE	NUT M5	(11)
29		WP-1612616-SE	WASHER 16X30X2.6	(2)
30		WP-0531001-SC	WASHER M5	(5)
31		WS-0510002-KN	SPRING WASHER M5	(5)

22. THREAD STAND COMPONENTS (MO-6716S SPECIAL ORDER PARTS)



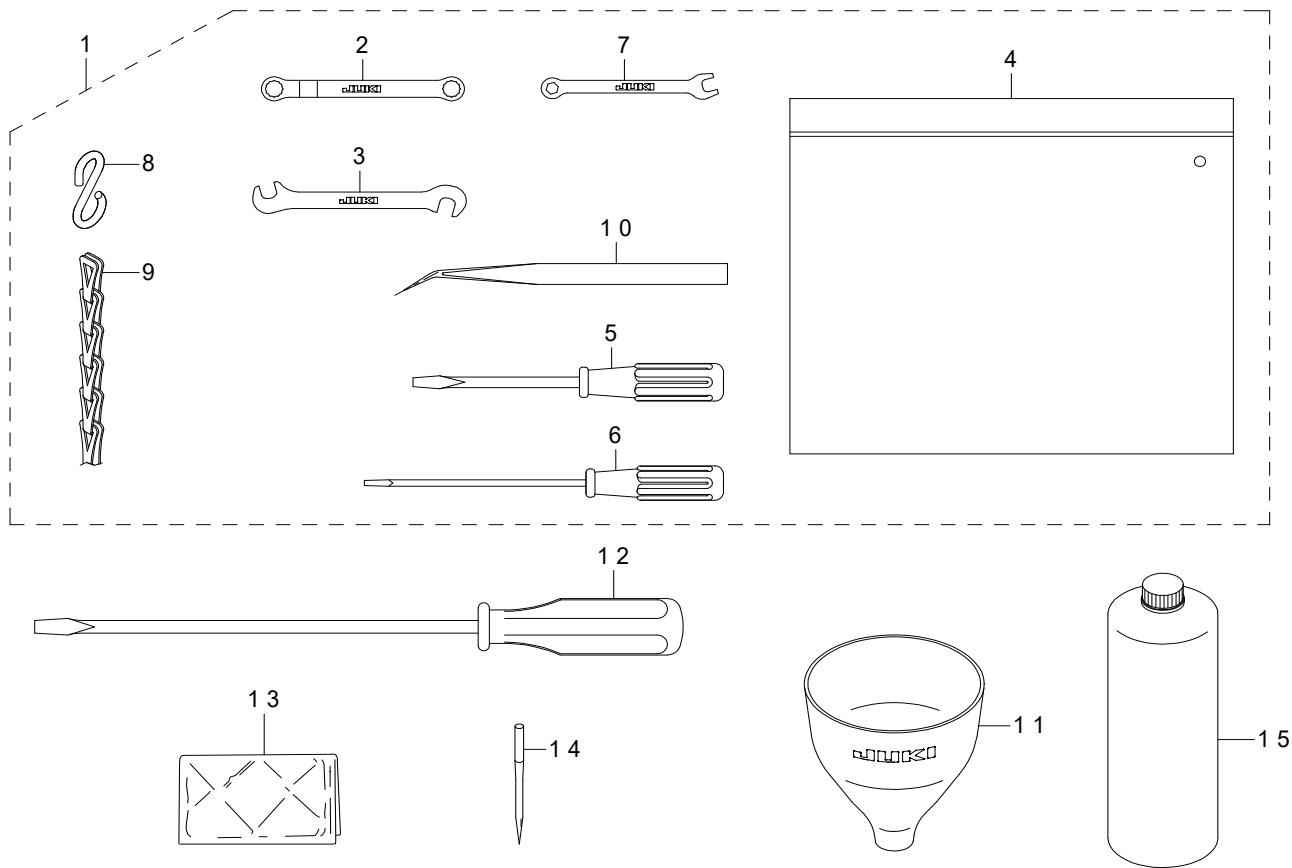
REF.NO	NOTE	PART NO	DESCRIPTION	Qty
1		401-06604	THREAD STAND ASM.	1
2		401-06575	SPOOL REST LONG ARM UPPER	(2)
3		400-85794	THREAD GUIDE	(5)
4		400-85795	THREAD GUIDE BUSHING	(5)
5		400-85787	SPOOL REST ARM UPPER	(1)
6		400-85793	SPOOL REST ROD RUBBER CAP	(1)
7		400-85785	SPOOL REST ROD UPPER	(1)
8		400-85792	SPOOL REST ROD JOINT	(1)
9		401-06581	THREAD GUIDE 5	(1)
10		401-06580	THREAD GUIDE UNDER BASE	(1)
11		401-06576	THREAD GUIDE ARM	(1)
12		401-06579	THREAD GUIDE ARM BASE	(1)
13		400-85784	SPOOL REST ROD LOWER	(1)
14		400-85791	SPOOL RETAINER	(5)
15		400-85790	SPOOL PIN	(5)
16		400-85789	SPOOL REST CUSHION	(5)
17		400-85788	SPOOL REST	(5)
18		400-85786	SPOOL REST ARM LOWER	(1)
19		401-06574	SPOOL REST LONG ARM LOWER	(2)
20		400-96327	SPOOL REST ARM UPPER SCREW	(3)
21		400-96326	SPOOL REST ARM LOWER SCREW	(3)
22		400-85796	SPOOL REST ROD RUBBER CUSHION	(2)
23		400-96325	SPOOL REST ROD NUT	(1)
24		401-06577	SPOOL REST ARM LOWER A	(1)
25		401-06578	SPOOL REST ARM LOWER B	(1)
26		SM-4041201-SC	SCREW M4 L=12	(3)
27		SM-4042501-SC	SCREW M4X0.7 L=25	(1)
28		SM-4051001-SE	SCREW M5 L=10	(2)
29		SM-4051405-SE	SCREW M5 L=14	(2)
30		SK-3412001-SE	WOOD SCREW D=4.1 L=20	(2)
31		NM-6050001-SE	NUT M5	(15)
32		NM-6040002-SC	NUT M4	(4)
33		WP-0531001-SC	WASHER M5	(5)
34		WP-1612616-SE	WASHER 16X30X2.6	(2)
35		WS-0510002-KN	SPRING WASHER M5	(5)

23. SPECIAL ORDER PARTS COMPONENTS



REF.NO	NOTE	PART NO	DESCRIPTION	Qty
1	#01	SS-8080322-TP	SCREW 1/8-44 L=3.2	1
2	#02	SS-8080322-TP	SCREW 1/8-44 L=3.2	2
3		B9112-804-000	SPANNER	1
4	#05	121-20713	CHAIN LOOPER	1
5		115-44707	UPPER LOOPER SUPPORT ARM	1
6	#01	118-98103	PRESSER FOOT AUXILIARY PLATE	1
7		121-23709	LOWER LOOPER SUPPORT ARM	1
8	#03	B2519-804-000	UPPER LOOPER	1
9	#04	B2519-814-000	UPPER LOOPER	1
10		B2521-804-000	LOWER LOOPER	1
11	#01	SS-4080620-TP	SCREW 1/8-44 L=6	1
12		SS-6080410-SP	SCREW 1/8-44 L=4	1
13		118-47605	LOWER KNIFE	1
14		119-64509	CERAMIC LOWER KNIFE	1
15		119-92005	LOWER KNIFE	1
16		119-65753	PEDAL ASM.	1
17		SM-9061203-SE	SCREW M6 L=12	(2)
18		119-65704	PEDAL	(1)
19		119-65803	PEDAL THRUST COLLAR	(2)
20		PS-0200062-KH	SPRING PIN 2X6	1
21	#05	121-05458	CLOTH PLATE ASM.	1
22		121-04550	CLOTH PLATE ASM.	(1)
23		115-01301	ECCENTRIC BUSHING	(1)
24		WZ-0420350-KP	DISC SPRING	(1)
25		CS-0400671-SD	THRUST HOLDER	(1)
26		SM-8040302-TP	SETSCREW	(1)
27	#05	119-49104	CLOTH BASE COVER	1
28	#01	B1539-804-000	PRESSER FOOT FIXING PLATE	1
29	#01	SS-6060410-TP	SCREW 3/32-56 L=3.5	1
30	#04	121-52468	PRESSER FOOT(FINGER GUARD)	1
31		118-72009	PRESSER FOOT HINGE	(1)
32		SS-6090670-TP	SCREW 9/64-40 L=6	(1)
33		B1530-804-000	STOPPER	(1)
34		WP-0250516-SD	WASHER 2.5X6X0.5	(1)
35		SS-7060610-SP	SCREW 3/32-56 L=5.5	(1)
36		SS-6060210-SP	SCREW 3/32-56 L=1.9	(1)
37		B1511-814-000	REAR PRESSER FOOT	(1)
38		B1507-814-00P	PRESSER FOOT	(1)
39		SS-7080520-SP	SCREW 1/8-44 L=4.9	(1)
40		B1508-804-00B	SPRING	(1)
41		121-60008	STITCH TONGUE	(1)
42		SS-6060440-TP	SCREW 3/32-56 L=3.5	(1)
43		B1510-814-000	CURL GUARD	(1)
44		131-78306	FINGER GUARD	(1)
45	#01	115-98000	UPPER KNIFE SUPPORT	1
46	#01	118-45807	UPPER KNIFE	1
47	#01	SS-9111610-SP	SCREW 11/64-40 L=16	1
48	#05	118-45500	UPPER KNIFE SUPPORT	1
49	#05	118-45906	UPPER KNIFE	1
50	#05	SS-9112310-SP	SCREW 11/64-40 L=23	1
51	#05	115-65504	UPPER KNIFE PRESSER PLATE	1
52		115-65702	WASHER	1
53		118-48405	UPPER KNIFE COVER	1
54		SS-4060310-SP	SCREW 3/32-56 L=2.5	1
55		SS-4060310-SP	SCREW 3/32-56 L=2.5	1
56		400-25294	SYNCHRONIZER STOPPER ASM.	1
57		400-11755	SYNCHRONIZER TURN STOPPER ASM	1
58		400-11757	SYNCHRONIZER STOPPER BASE	(1)
59		400-22255	SYNCHRONIZER STOPPER	(1)
60		SS-5120810-SP	SCREW	(1)
61		SS-9154540-SP	SCREW 15/64-28 L=45	(1)
62		400-11758	SYNCHRONIZER BASE COLLAR	(1)
63		400-36778	V_BELT SLIDER	1
64	#04	400-30533	PRESSER FOOT AUXILIARY PLATE	1
		NOTE	#01....FOR MO-6704S	
			#02....FOR MO-6714S,MO-6716S	
			#03....FOR MO-6704S,MO-6716S	
			#04....FOR MO-6714S	
			#05....FOR MO-6716S	

24. ACCESSORIES PARTS COMPONENTS



REF.NO	NOTE	PART NO	DESCRIPTION	Qty
1		131-60858	ACCESSORIE BAG ASM.	1
2		131-60007	RING SPANNER	(1)
3		131-60205	PIN SPANNER	(1)
4		229-32800	ACCESSORIE BAG	(1)
5		229-33105	SCREW DRIVER MIDDLE	(1)
6		123-47308	SCREW DRIVER (SMALL)	(1)
7		131-60106	SPANNER (5X6)	(1)
8		131-60304	S SHAPED HOOK	(2)
9		131-60403	CHAIN	(1)
10		122-88403	TWEEZERS	(1)
11		131-60601	FUNNEL	1
12		229-33006	SCREW DRIVER LARGE	1
13		400-48535	HEAD COVER	1
14		MDC-270B1104	NEEDLE DCX27 #11-4EA.	1
15	*	MML-018800CB	JUKI CORPORATION GENUINE OIL 18	1

25. LIST FOR INFORMATION OF CHANGE

As to the place changed, refer to the corresponding Rev. No.
 When previous parts (Obsoleted part) and new parts (Added parts) are
 not interchangeable with each other:
 In this case, even obsoleted parts (D.) can be ordered with the
 obsoleted part number, so select the parts with changed dates and
 place your orders.

変更箇所は、該当 Rev. No. 版をご参照ください。
 部品の互換性がない変更の場合は、削除された品番でも、ご注文できます。

 No. 1326-07... Rev. No.

*A : Added parts 追加部品 / D : Obsoleted parts 削除部品 / E : Erratum 訂正

* No.	Rev. No.	Page 頁	Ref. No.	Parts No. 品 番	* No.	Rev. No.	Page 頁	Ref. No.	Parts No. 品 番
					A	07	2	53	700-04856
D	06	6	6	131-07800	A	07	6	6	122-71706
D	06	10	26	132-16809	A	07	10	26	700-05081
D	06	12	9	121-18303	A	07	12	9	700-04244
					A	07	14	1	401-86707
					A	07	14	2	401-86709
D	06	26	47	131-43607	A	07	14	13	131-43706
D	06	26	48	131-43706	A	07	14	14	131-43607
D	06	26	49	SS-7060310-SP	A	07	14	17	SS-7060310-SP
D	06	41	15	MML-018900CA	A	07	41	15	MML-018800CB

NUMERICAL INDEX OF PARTS

PART NO	PAGE	REF NO	PART NO	PAGE	REF NO	PART NO	PAGE	REF NO	PART NO	PAGE	REF NO
BP-3000001-OR	26	24	GPF-06080000	30	17	SM-4040855-SP	8	32	SS-4090415-SP	20	48
BP-3000001-OR	26	47				SM-4040855-SP	8	41	SS-4090515-SP	12	27
B1211-804-000	6	16	MDC-270B1100	8	53	SM-4040855-SP	12	15	SS-4090615-SP	14	49
B1211-804-000	6	18	MDC-270B1100	8	66	SM-4040855-SP	12	35	SS-4091015-SP	2	14
B1212-704-000	6	17	MDC-270B1104	41	14	SM-4040855-SP	24	5	SS-4091015-SP	24	13
B1215-804-000	6	21	MML-018800CB	41	15	SM-4041055-SP	2	17	SS-4091015-SP	24	22
B1507-804-C00	18	12				SM-4041055-SP	12	60	SS-4110515-SP	8	33
B1507-814-00P	18	27	NM-6040002-SC	32	25	SM-4041201-SC	32	22	SS-4110515-SP	20	49
B1507-814-00P	40	38	NM-6040002-SC	34	30	SM-4041201-SC	34	24	SS-4110615-SP	20	30
B1508-804-00B	18	14	NM-6040002-SC	36	27	SM-4041201-SC	36	24	SS-4112215-SP	26	13
B1508-804-00B	18	29	NM-6040002-SC	38	32	SM-4041201-SC	38	26	SS-4120615-SP	2	12
B1508-804-00B	40	40	NM-6050001-SE	32	26	SM-4041455-SN	10	27	SS-4151215-SP	4	18
B1509-804-C00	18	15	NM-6050001-SE	34	29	SM-4042501-SC	32	23	SS-5080212-TP	6	3
B1509-814-00P	18	30	NM-6050001-SE	36	28	SM-4042501-SC	34	26	SS-5090610-SP	27	11
B1510-814-000	18	17	NM-6050001-SE	38	31	SM-4042501-SC	36	26	SS-5090610-SP	28	23
B1510-814-000	18	32	NM-6060003-SC	16	25	SM-4042501-SC	38	27	SS-5110710-SP	4	31
B1510-814-000	40	43	NM-6080001-SE	30	9	SM-4050855-SP	6	7	SS-5110710-SP	27	17
B1511-814-000	18	11	NM-6080001-SE	30	21	SM-4050855-SP	20	44	SS-5110710-SP	28	3
B1511-814-000	18	26	NM-6080600-SM	28	29	SM-4050855-SP	26	28	SS-5110710-SP	28	38
B1511-814-000	40	37	NM-6080721-SE	30	32	SM-4051001-SE	34	27	SS-5120810-SP	40	60
B1513-816-000	18	39	NS-6090310-SN	2	5	SM-4051001-SE	38	28	SS-5150510-SP	20	41
B1514-816-000	18	45	NS-6090310-SP	27	12	SM-4051055-SP	22	8	SS-6060210-SP	18	10
B1530-804-000	18	7	NS-6090310-SP	28	24	SM-4051255-SP	4	7	SS-6060210-SP	18	25
B1530-804-000	18	22	NS-6110310-SP	26	32	SM-4051255-SP	12	25	SS-6060210-SP	40	36
B1530-804-000	40	33	NS-6110310-SP	26	52	SM-4051405-SE	32	24	SS-6060340-SP	18	44
B1539-804-000	40	28	NS-6110420-SP	2	46	SM-4051405-SE	34	25	SS-6060410-TP	40	29
B1620-804-000	10	43	NS-6110420-SP	16	26	SM-4051405-SE	36	25	SS-6060440-TP	14	38
B2119-816-A00	15	27	NS-6240630-SE	27	23	SM-4051405-SE	38	29	SS-6060440-TP	18	16
B2119-816-B00	15	28	NS-6240630-SE	28	40	SM-4051601-SC	26	35	SS-6060440-TP	18	31
B2119-816-C00	15	29	NS-6620320-SP	10	40	SM-4060801-SE	26	49	SS-6060440-TP	40	42
B2119-816-D00	15	30	NS-6680410-SP	4	27	SM-6040600-SP	12	22	SS-6080320-SP	10	15
B2119-816-E00	15	31				SM-6051202-TP	10	34	SS-6080340-SP	12	55
B2202-816-000	20	39	PS-0200052-KH	20	28	SM-6051202-TP	15	2	SS-6080340-SP	16	17
B2519-804-000	40	8	PS-0200062-KH	40	20	SM-6051202-TP	15	14	SS-6080410-SP	14	28
B2519-814-000	40	9	PS-0250062-KH	15	32	SM-6061200-SP	14	69	SS-6080410-SP	40	12
B2521-804-000	40	10	PS-0300062-KH	14	41	SM-6061200-SP	16	27	SS-6080720-SP	8	23
B3534-352-000	26	7	PS-0300142-KH	16	16	SM-6061202-TP	6	33	SS-6081210-TP	6	42
B7114-012-0A0	30	25				SM-6061202-TP	6	37	SS-6090420-SP	28	11
B8151-771-0A0	30	27	RE-0300000-K0	12	37	SM-6061402-TP	8	3	SS-6090620-TP	12	8
B8152-771-000	30	39	RE-0300000-K0	16	47	SM-6061402-TP	8	8	SS-6090620-TP	14	40
B8153-771-000	30	8	RE-0500000-K0	12	41	SM-6061402-TP	10	6	SS-6090620-TP	15	37
B8153-771-000	30	20	R4200-J6E-D00	22	1	SM-6061402-TP	16	5	SS-6090630-TP	14	55
B8153-771-000	30	40	R4305-J6E-E00	22	2	SM-6061402-TP	23	3	SS-6090630-TP	27	27
B9112-804-000	40	3	R4508-J6E-D00	22	3	SM-6061802-TP	26	21	SS-6090630-TP	28	37
						SM-8040302-TP	2	39	SS-6090670-TP	8	37
CM-3002000-01	2	40	SB-1100003-00	6	22	SM-8040302-TP	40	26	SS-6090670-TP	18	6
CM-3002000-01	4	17	SD-0280401-SL	8	61	SM-8040402-TP	16	38	SS-6090670-TP	18	21
CM-3013000-01	4	36	SD-0600341-TP	20	42	SM-8050412-TP	16	30	SS-6090670-TP	18	36
CM-6001001-01	4	44	SD-0640241-SP	16	15	SM-8050412-TP	26	5	SS-6090670-TP	40	32
CQ-2000000-00	8	44	SD-0720271-SP	12	59	SM-8050502-TP	26	42	SS-6090810-SP	26	14
CQ-2000000-00	14	19	SD-0720803-TH	15	33	SM-9061203-SE	30	34	SS-6110610-TP	22	6
CQ-2000000-00	14	21	SK-2351600-SC	27	18	SM-9061203-SE	40	17	SS-6110610-TP	22	17
CQ-2020000-00	8	58	SK-2351600-SC	27	24	SM-9082023-SE	30	28	SS-6110710-TP	15	35
CQ-2520000-00	8	60	SK-2351600-SC	28	4	SM-9082513-CF	28	28	SS-6110710-TP	15	38
CS-0400671-SD	40	25	SK-3311500-SC	27	25	SQ-0000451-MZ	26	48	SS-6111040-SP	23	8
CS-1031210-SH	14	59	SK-3311500-SC	28	35	SQ-1110401-MZ	26	15	SS-6111440-SP	2	47
CS-1031210-SH	14	62	SK-3412001-SE	4	40	SQ-1110451-MZ	26	31	SS-6111610-SP	23	10
CS-1031219-SH	14	60	SK-3412001-SE	34	28	SQ-1110451-MZ	26	36	SS-6121020-SP	16	40
CS-1031219-SH	14	63	SK-3412001-SE	38	30	SQ-1110451-MZ	26	53	SS-6121020-SP	26	46
CS-111101H-SH	23	21	SK-3513200-SC	27	26	SQ-1150441-SD	26	50	SS-6121220-TP	10	3
CS-1111019-SH	23	22	SK-3513200-SC	28	31	SQ-1150451-MZ	26	37	SS-6151440-SP	22	34
			SL-9061291-SE	30	12	SQ-1150454-SD	26	26	SS-6661110-SP	12	46
D8113-555-B00	30	7	SL-9061291-SE	30	24	SS-1060610-SP	12	20	SS-7060310-SP	12	12
D8113-555-B00	30	19	SL-9082091-SE	30	10	SS-2090520-SL	2	4	SS-7060310-SP	14	17
D8113-555-B00	30	33	SL-9082091-SE	30	22	SS-2110910-SL	22	4	SS-7060510-SP	18	3
D8204-555-D00	27	22	SM-1040801-SC	2	10	SS-3090610-SP	2	6	SS-7060510-SP	22	43
D8204-555-D00	28	34	SM-1040801-SC	4	4	SS-4060310-SP	40	54	SS-7060610-SP	14	15
			SM-1040801-SC	4	13	SS-4060310-SP	40	55	SS-7060610-SP	18	9
EA-9500B01-00	8	18	SM-4030455-SP	12	16	SS-4080620-TP	12	2	SS-7060610-SP	18	24
			SM-4040655-SP	2	31	SS-4080620-TP	15	36	SS-7060610-SP	40	35
GPF-06060000	30	3	SM-4040855-SP	2	9	SS-4080620-TP	18	28	SS-7080520-SP	18	13
GPF-06060000	30	15	SM-4040855-SP	2	43	SS-4080620-TP	40	11	SS-7080520-SP	40	39
GPF-06070000	30	4	SM-4040855-SP	4	3	SS-4090415-SP	20	45	SS-7090510-SP	22	42
GPF-06070000	30	16	SM-4040855-SP	4	14	SS-4090415-SP	20	46	SS-7090530-SP	2	20
GPF-06080000	30	5	SM-4040855-SP	6	26	SS-4090415-SP	20	47	SS-7090610-SP	2	22

NUMERICAL INDEX OF PARTS

PART NO	PAGE	REF NO	PART NO	PAGE	REF NO	PART NO	PAGE	REF NO	PART NO	PAGE	REF NO
SS-7090610-SP	22	44	WP-0250516-SD	18	8	118-88104	14	65	131-01001	2	21
SS-7090610-SP	24	10	WP-0250516-SD	18	23	118-90001	14	37	131-01209	2	18
SS-7090610-SP	24	19	WP-0250516-SD	40	34	118-90100	22	37	131-01308	2	30
SS-7090611-SL	4	34	WP-0370316-SD	23	20	118-90308	22	38	131-01407	2	19
SS-7090710-SP	22	25	WP-0370316-SD	28	14	118-98103	40	6	131-01506	2	25
SS-7090850-SP	14	26	WP-0371016-SD	12	28	119-18109	26	6	131-01605	2	26
SS-7091410-SP	2	33	WP-0371026-SD	24	14	119-49104	40	27	131-01704	2	28
SS-7110510-SP	2	27	WP-0371026-SD	24	23	119-59400	27	21	131-01803	2	32
SS-7110510-SP	16	14	WP-0460556-SD	12	61	119-59558	28	15	131-01902	2	36
SS-7110710-SL	20	29	WP-0460556-SD	16	46	119-60655	30	1	131-02058	2	35
SS-7110710-SP	2	29	WP-0480856-SP	12	62	119-60754	30	13	131-02207	2	45
SS-7110720-SP	22	13	WP-0531001-SC	32	28	119-64509	40	14	131-02405	2	3
SS-7110720-TP	15	39	WP-0531001-SC	34	31	119-65704	40	18	131-02504	4	20
SS-7110840-SP	6	45	WP-0531001-SC	36	30	119-65753	40	16	131-02553	4	19
SS-7110840-SP	6	46	WP-0531001-SC	38	33	119-65803	40	19	131-02603	4	23
SS-7110840-SP	14	36	WP-0621016-SD	12	63	119-92005	40	15	131-02702	22	12
SS-7110840-SP	14	51	WP-0651056-SD	26	22	119-99307	14	39	131-02702	22	46
SS-7110840-SP	16	28	WP-0671016-SE	30	36	120-15301	22	39	131-02900	4	38
SS-7110840-SP	22	36	WP-0751576-SD	4	25	120-15400	22	40	131-03650	2	34
SS-7110840-SP	24	24	WP-0764016-SP	6	13	121-04550	40	22	131-03809	2	13
SS-7110910-TP	10	17	WP-0850002-SC	28	30	121-05458	40	21	131-03908	4	24
SS-7111410-TP	6	32	WP-0871602-SE	30	11	121-09153	6	28	131-04005	2	1
SS-7111410-TP	6	36	WP-0871602-SE	30	23	121-16604	10	18	131-04104	2	51
SS-7111410-TP	6	40	WP-0871602-SE	30	30	121-16703	10	19	131-04203	2	2
SS-7111410-TP	16	29	WP-1002036-SE	27	28	121-16802	10	20	131-04302	2	44
SS-7111810-TP	6	11	WP-1002036-SE	28	39	121-16901	10	21	131-04500	4	10
SS-7111810-TP	6	29	WP-1612616-SE	32	27	121-17008	10	22	131-04807	4	29
SS-7111810-TP	6	31	WP-1612616-SE	34	32	121-20150	6	38	131-04906	6	20
SS-7111810-TP	6	35	WP-1612616-SE	36	29	121-20705	15	11	131-07602	6	4
SS-7111810-TP	6	39	WP-1612616-SE	38	34	121-20713	40	4	131-07701	6	10
SS-7111810-TP	6	44	WS-0510002-KN	32	29	121-21612	15	34	131-08006	6	23
SS-7150740-SP	16	45	WS-0510002-KN	34	33	121-22362	6	30	131-08105	6	24
SS-7151120-SP	22	30	WS-0510002-KN	36	31	121-23006	14	5	131-08204	6	25
SS-7161040-SP	16	6	WS-0510002-KN	38	35	121-23105	14	6	131-08303	6	27
SS-8080310-TP	8	65	WS-0621210-KR	30	35	121-23360	6	34	131-08402	6	8
SS-8080310-TP	8	67	WS-0822010-KP	4	26	121-23709	40	7	131-08501	6	9
SS-8080310-TP	16	49	WS-0861410-KR	30	29	121-29805	26	20	131-10002	8	15
SS-8080322-TP	40	1	WS-1002560-KR	27	29	121-29904	26	18	131-10101	8	5
SS-8080322-TP	40	2	WS-1002560-KR	28	36	121-32155	6	43	131-10200	8	22
SS-8090530-TP	8	57	WZ-0420350-KP	2	37	121-52468	40	30	131-10259	8	21
SS-8090530-TP	8	59	WZ-0420350-KP	40	24	121-53763	18	35	131-10507	8	2
SS-8110410-TP	2	23	WZ-0640312-K0	20	43	121-56907	18	48	131-10556	8	1
SS-8110410-TP	2	24	WZ-0850302-K0	4	30	121-60008	40	41	131-10606	8	4
SS-8110410-TP	10	11	WZ-2640310-KH	6	15	121-62202	18	41	131-10705	8	24
SS-8110410-TP	12	44				121-64802	18	37	131-10804	8	25
SS-8110410-TP	20	17	107-53309	4	39	121-67409	18	40	131-10903	8	26
SS-8151150-TP	6	5	111-51065	30	26	121-67508	18	43	131-11000	8	27
SS-8660330-SP	12	32	111-51909	30	31	121-67607	18	42	131-11109	8	31
SS-8660330-SP	23	23	111-55108	27	19	121-67706	18	46	131-11208	8	34
SS-8660610-TP	8	56	111-55108	28	32	121-67805	18	38	131-11307	8	35
SS-8660610-TP	14	61	111-55207	27	20	121-76004	14	66	131-11406	8	36
SS-8660610-TP	14	64	111-55207	28	33	121-77903	22	41	131-11505	8	38
SS-9090410-TP	14	67	111-57567	30	2	122-57002	8	64	131-11604	8	39
SS-9090610-TP	14	16	111-59001	30	6	122-71706	6	6	131-11703	8	40
SS-9090823-TP	23	19	111-59001	30	18	122-88403	41	10	131-15001	16	1
SS-9111010-SP	12	3	111-59365	30	14	122-88700	16	33	131-15407	16	8
SS-9111010-SP	22	21	112-46501	30	38	122-88908	22	7	131-15654	16	32
SS-9111050-SP	12	51	112-46600	30	37	123-15909	26	3	131-15753	16	9
SS-9111610-SP	40	47	115-01301	40	23	123-16006	26	10	131-15803	16	10
SS-9112310-SP	40	50	115-44707	40	5	123-16105	26	11	131-15902	16	11
SS-9151210-TP	14	11	115-65504	40	51	123-17004	26	9	131-16009	16	12
SS-9151210-TP	14	45	115-65702	40	52	123-40402	14	50	131-16108	16	13
SS-9151210-TP	15	8	115-66809	23	12	123-40501	14	48	131-16207	16	18
SS-9154540-SP	40	61	115-98000	40	45	123-40600	14	71	131-16306	16	20
SS-9681610-TP	6	12	118-40303	26	8	123-40709	14	27	131-16405	16	22
ST-6030821-0A	28	12	118-45500	40	48	123-40907	14	58	131-16504	16	23
ST-6030821-0A	28	13	118-45807	40	46	123-41806	27	6	131-16603	16	24
			118-45906	40	49	123-41806	27	16	131-16702	18	2
TA-0400301-M0	26	41	118-47605	40	13	123-41806	28	25	131-16801	16	7
TA-0800504-R0	12	53	118-48405	40	53	123-41905	27	5	131-16900	16	21
TA-0950806-R0	24	4	118-72009	18	5	123-41954	27	4	131-17007	16	19
TA-1030402-R0	10	7	118-72009	18	20	123-42101	2	11	131-17106	16	34
TA-1871602-R0	4	41	118-72009	40	31	123-47308	41	6	131-17205	18	1
TA-2050416-R0	10	8	118-76166	18	4	131-00805	2	16	131-18054	10	1
TA-2050805-R0	4	42	118-76869	18	19	131-00904	2	15	131-18708	10	16

NUMERICAL INDEX OF PARTS

PART NO	PAGE	REF NO	PART NO	PAGE	REF NO	PART NO	PAGE	REF NO	PART NO	PAGE	REF NO
131-19300	10	14	131-31503	14	24	131-55106	28	17	131-92406	12	66
131-19409	10	23	131-31602	14	25	131-55205	28	18	131-92802	12	67
131-19508	10	24	131-31701	14	23	131-55304	28	27	131-93206	12	68
131-19607	10	25	131-31800	14	46	131-55403	27	13	131-93602	12	69
131-19706	10	39	131-31909	14	52	131-55403	28	16	132-00209	4	1
131-19805	10	42	131-32006	14	47	131-55502	27	10	132-00308	4	2
131-19904	10	33	131-32501	14	43	131-55502	28	22	132-00506	4	5
131-19953	10	32	131-32550	14	42	131-55601	27	8	132-00605	4	6
131-20001	10	41	131-32709	14	56	131-55601	28	20	132-00704	2	7
131-20605	10	2	131-33053	14	70	131-55700	27	9	132-00803	2	8
131-20803	12	33	131-37559	20	2	131-55700	28	21	132-00902	12	54
131-20902	12	29	131-37609	20	12	131-55759	27	7	132-01009	4	12
131-21009	12	31	131-37708	20	8	131-55759	28	19	132-01108	4	28
131-21058	12	30	131-37807	20	5	131-55858	28	5	132-01207	4	33
131-21108	12	52	131-37906	20	13	131-55908	28	8	132-01306	4	32
131-21207	12	43	131-38003	20	16	131-56005	28	9	132-01405	4	16
131-21256	12	42	131-38102	20	14	131-56104	28	10	132-01454	4	15
131-21306	12	40	131-38201	20	15	131-56203	28	6	132-01603	2	42
131-21405	12	26	131-38201	20	27	131-56302	28	7	132-04003	4	35
131-21603	12	49	131-38359	20	3	131-56500	27	14	132-05406	6	19
131-21900	12	45	131-38409	20	9	131-60007	41	2	132-07808	8	20
131-22007	8	49	131-38508	20	6	131-60106	41	7	132-08004	8	68
131-22007	10	35	131-38656	20	4	131-60205	41	3	132-08103	8	17
131-22007	23	13	131-38706	20	10	131-60304	41	8	132-08350	8	16
131-22106	8	50	131-38805	20	7	131-60403	41	9	132-08459	8	42
131-22106	10	36	131-38904	20	11	131-60601	41	11	132-08509	8	43
131-22106	23	14	131-39555	20	20	131-60700	4	43	132-08608	8	47
131-22205	8	51	131-39605	20	22	131-60858	41	1	132-08707	8	30
131-22205	10	37	131-39704	20	25	131-60908	27	2	132-08806	8	28
131-22205	23	15	131-39803	20	24	131-60908	28	2	132-08905	8	29
131-22304	8	52	131-39902	20	23	131-61005	27	1	132-09101	8	9
131-22304	10	38	131-40009	20	21	131-61005	28	1	132-09200	8	10
131-22304	23	16	131-42500	26	25	131-61153	27	3	132-09309	8	11
131-22403	10	5	131-42609	8	48	131-61153	28	26	132-09408	8	12
131-22452	10	4	131-42609	26	38	131-62557	24	6	132-09507	8	13
131-22502	10	13	131-42955	26	33	131-62565	24	7	132-09606	8	14
131-22700	12	18	131-43300	26	29	131-62573	24	8	132-09705	8	19
131-22809	12	24	131-43417	26	43	131-62805	24	9	132-09804	8	7
131-23302	12	39	131-43508	26	44	131-62805	24	18	132-09853	8	6
131-23302	16	44	131-43607	14	14	131-62904	24	11	132-12501	16	39
131-25901	15	13	131-43706	14	13	131-62904	24	20	132-12709	16	35
131-25950	15	12	131-43805	26	27	131-63001	24	12	132-12808	16	41
131-26008	15	4	131-44001	26	30	131-63001	24	21	132-12915	16	43
131-26354	15	9	131-44100	26	39	131-63159	24	15	132-13012	12	38
131-26503	15	19	131-44209	26	40	131-63167	24	16	132-13012	16	42
131-26602	15	20	131-47301	23	9	131-63175	24	17	132-15157	12	1
131-26701	15	21	131-47400	23	7	131-63456	24	1	132-15306	12	4
131-26800	15	22	131-47509	23	2	131-63803	24	2	132-15405	12	5
131-26909	15	3	131-47558	23	1	131-63902	24	3	132-15504	12	6
131-27006	15	17	131-48101	22	14	131-70006	4	9	132-15603	12	7
131-27105	15	18	131-48309	22	16	131-70105	4	21	132-15702	12	11
131-27204	15	23	131-48408	22	23	131-70204	4	11	132-15801	12	17
131-27303	15	24	131-48556	22	31	131-70204	12	34	132-15900	12	13
131-27402	15	25	131-48804	22	32	131-70303	6	14	132-16007	12	14
131-27501	15	26	131-48903	22	29	131-70402	16	36	132-16106	12	19
131-28103	15	16	131-49109	22	18	131-70402	16	37	132-16205	12	21
131-28202	20	31	131-49208	22	22	131-70501	12	48	132-16304	12	23
131-28301	20	32	131-49307	22	11	131-70600	14	53	132-16601	10	28
131-28400	20	33	131-49406	22	15	131-70808	26	34	132-16700	10	29
131-28509	20	34	131-49505	22	20	131-71004	4	22	132-17351	12	47
131-28608	20	35	131-49604	22	26	131-72507	10	10	132-17401	12	57
131-28707	20	36	131-49703	22	24	131-72556	10	9	132-17500	12	58
131-29101	20	40	131-49802	22	27	131-72705	8	55	132-17708	12	36
131-29259	20	37	131-49901	22	28	131-72754	8	54	132-17807	10	12
131-29309	14	44	131-49901	22	33	131-72903	2	38	132-17906	10	31
131-29309	15	7	131-50503	23	17	131-75005	8	62	132-18052	12	50
131-29457	20	38	131-50602	23	18	131-75203	8	63	132-18102	12	56
131-29853	15	1	131-50701	22	45	131-78306	18	18	132-20009	15	15
131-29903	15	6	131-50800	23	11	131-78306	18	33	132-21403	14	29
131-29952	15	5	131-50909	23	5	131-78306	40	44	132-21502	14	30
131-31008	14	9	131-51006	23	6	131-78405	18	47	132-21601	14	31
131-31107	14	10	131-51105	22	35	131-91309	12	70	132-21700	14	32
131-31206	14	18	131-51204	22	5	131-91408	12	71	132-21809	14	33
131-31305	14	20	131-51303	23	4	131-91606	12	64	132-21908	14	34
131-31404	14	22	131-55007	27	15	131-92000	12	65	132-22203	14	7

NUMERICAL INDEX OF PARTS

PART NO	PAGE	REF NO	PART NO	PAGE	REF NO	PART NO	PAGE	REF NO	PART NO	PAGE	REF NO
132-22302	14	8	400-85787	32	2	401-06580	34	20			
132-22609	14	68	400-85787	36	5	401-06580	36	10			
132-22708	14	35	400-85787	38	5	401-06580	38	10			
132-25008	20	1	400-85788	32	16	401-06581	36	9			
132-25107	20	18	400-85788	34	21	401-06581	38	9			
132-25107	20	19	400-85788	36	17	401-06582	32	8			
132-28655	26	23	400-85788	38	17	401-06582	34	19			
132-28804	26	55	400-85789	32	15	401-06590	32	1			
132-28903	26	59	400-85789	34	12	401-06591	36	1			
132-29000	26	61	400-85789	36	16	401-06593	34	1			
132-29109	26	57	400-85789	38	16	401-06604	38	1			
132-29208	26	51	400-85790	32	14	401-50131	2	52			
132-29307	26	19	400-85790	34	22	401-86707	14	1			
132-29356	26	17	400-85790	36	15	401-86709	14	2			
132-29406	26	58	400-85790	38	15						
132-30107	26	45	400-85791	32	13	700-04244	12	9			
132-30305	26	1	400-85791	34	23	700-04244	12	10			
132-32657	22	9	400-85791	36	14	700-04672	16	48			
132-32756	22	10	400-85791	38	14	700-04856	2	53			
132-35304	22	19	400-85792	32	7	700-05081	10	26			
132-40007	2	48	400-85792	34	16						
132-40106	2	49	400-85792	36	8						
132-40205	2	50	400-85792	38	8						
132-44009	8	46	400-85793	32	5						
132-44108	10	30	400-85793	34	15						
133-43009	26	4	400-85793	36	6						
			400-85793	38	6						
229-01805	4	37	400-85794	32	4						
229-21407	20	26	400-85794	34	4						
229-24708	4	8	400-85794	36	3						
229-32800	41	4	400-85794	38	3						
229-33006	41	12	400-85795	32	3						
229-33105	41	5	400-85795	34	3						
236-30007	8	45	400-85795	36	4						
236-30007	26	54	400-85795	38	4						
			400-85796	32	20						
310-18005	26	56	400-85796	34	13						
310-18005	26	60	400-85796	36	21						
			400-85796	38	22						
400-10804	14	57	400-96181	16	4						
400-10805	15	10	400-96182	16	3						
400-11233	14	4	400-96325	32	21						
400-11234	14	12	400-96325	34	11						
400-11755	40	57	400-96325	36	22						
400-11757	40	58	400-96325	38	23						
400-11758	40	62	400-96326	32	19						
400-15636	14	3	400-96326	34	8						
400-16762	26	12	400-96326	36	23						
400-16763	26	16	400-96326	38	21						
400-17714	6	47	400-96327	32	18						
400-17824	6	41	400-96327	34	5						
400-18044	26	2	400-96327	36	20						
400-22255	40	59	400-96327	38	20						
400-23234	6	2	400-99082	14	54						
400-23235	6	1	401-02307	2	41						
400-25294	40	56	401-02328	16	2						
400-30533	18	34	401-06574	34	7						
400-30533	40	64	401-06574	36	19						
400-34897	16	31	401-06574	38	19						
400-35711	6	48	401-06575	34	2						
400-36778	40	63	401-06575	36	2						
400-37392	4	45	401-06575	38	2						
400-40065	4	46	401-06576	32	10						
400-48535	41	13	401-06576	34	17						
400-85784	32	12	401-06576	36	11						
400-85784	34	10	401-06576	38	11						
400-85784	36	13	401-06577	34	6						
400-85784	38	13	401-06577	38	24						
400-85785	32	6	401-06578	34	9						
400-85785	34	14	401-06578	38	25						
400-85785	36	7	401-06579	32	11						
400-85785	38	7	401-06579	34	18						
400-85786	32	17	401-06579	36	12						
400-85786	36	18	401-06579	38	12						
400-85786	38	18	401-06580	32	9						