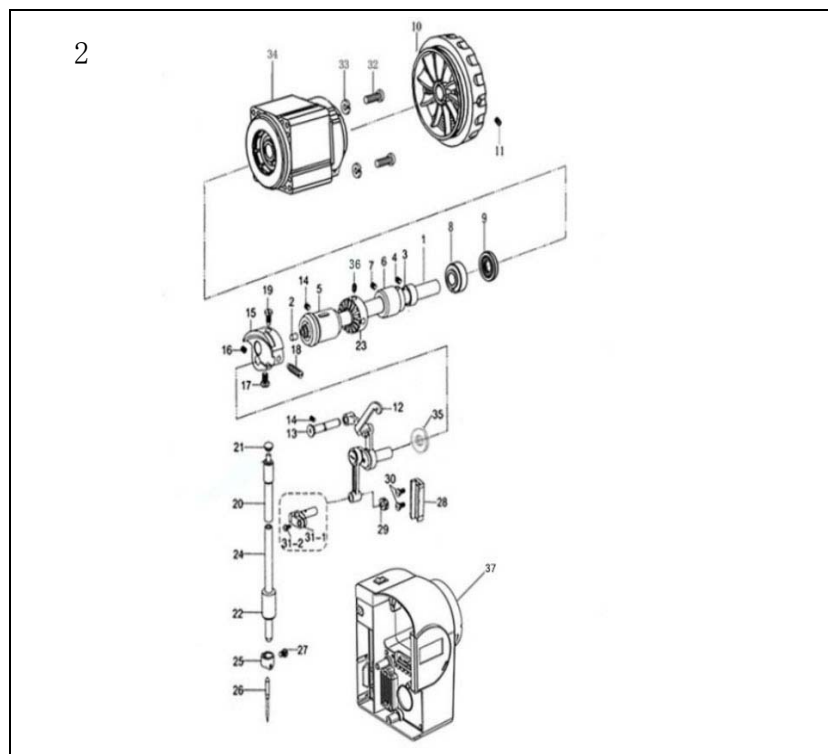


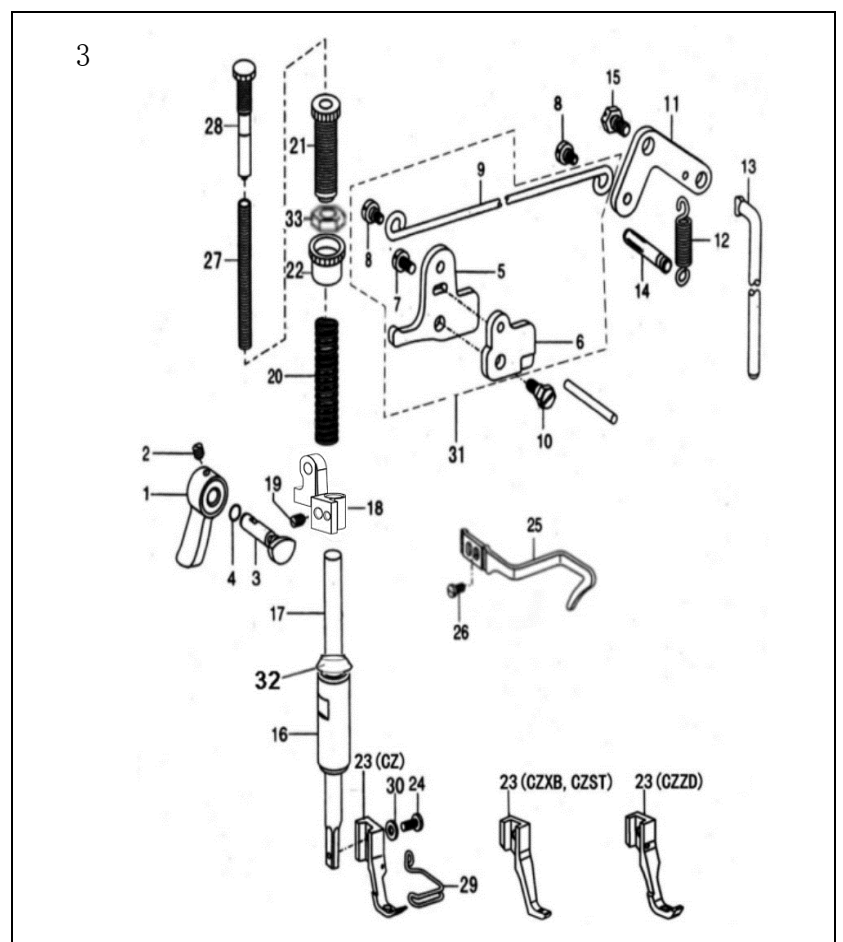
1. 机壳、外装分组件/Machine frame & miscellaneous cover components

序号NO.	公司件号 Part NO.	名称 PartName	零件描述 Description	数量 Number			
				CZ	CZXB	CZSD	CZST
1	304713	面板	Face plate arm	1	1	1	1
2	201S11025	面板螺钉	Screw	1	1	1	1
3	14713003	面板线勾	Arm thread guide	1	1	1	1
4	10113004	右线钩	Arm thread guide	1	1	1	1
5	101S11007	线勾螺钉	Screw	2	2	2	2
6	1411300400	小夹线器组件	BOBBIN THREAD TENSIONASM	1	1	1	1
6-1	13812066	过线板	Thread tension guide plate	1	1	1	1
6-2	13810008	小夹线器螺柱	Thread tension post	1	1	1	1
6-3	14112017	小夹线器	Thread tension disk	2	2	2	2
6-4	11227001	小夹线弹簧	Thread tension spring	1	1	1	1
6-5	141S16019	小夹线器螺母	Thread tension nut	1	1	1	1
7	113S14020	小夹线固定螺钉	Screw	1	1	1	1
8	13512004	三孔线勾	3-hole thread guide	1	1	1	1
9	11471300100	夹线组件	Thread tension asm	1	1	1	1
9-1	1147NS30001	夹线螺钉	Thread tension post	1	1	1	1
9-2	141S16013	夹线螺母	Tension nut	1	1	1	1
9-3	14227024	夹线弹簧	Thread tension spring	1	1	1	1
9-4	10112006	松线板	Disk stopper	1	1	1	1
9-5	14112015	夹线板	Thread tension disk	2	2	2	2
9-6	114727001	挑线簧	Takeup spring	1	1	1	1
9-7	13513006	夹线调节座	Thread tension post base	1	1	1	1
9-8	135S15002	夹线调节座螺钉	Screw	1	1	1	1
9-10	10112007	夹线螺母止动板	Tension disc stopper	1	1	1	1
9-11	001050	O型圈	Ring14.5x1.5	1	1	1	1
10	136S14002	夹线调节固定螺钉	Screw	1	1	1	1
11	14712018	挑线杆防护罩	Thread take-up lever cover	1	1	1	1
12	101S11004	挑线杆防护罩螺钉	Screw	2	2	2	2
13	10122005	挑线连杆销螺孔塞	Take-up link pin screw plug	1	1	1	1
14	135S11047	面板螺钉	Screw	2	2	2	2
15	14726002	松线钉	Thread release pin	1	1	1	1
16	13613002	松线棒	Thread release pin	1	1	1	1
17	13837002	A4-0182商标牌	Head card	1	1	1	1
18	13812111	卷边器座	Ruler stop seat	1	1	1	1
19	101S11025	螺钉	Screw	1	1	1	1
20	135S20001	底板撑杆(尾部)	Bed screw stud(tail)	2	2	2	2
21	W02004	弹簧垫圈	Spring washer	4	4	4	4
24-1	13515002	推板	Slide plate	1	1	1	1
24-2	13512007	推板簧	Slide plate spring	1	1	1	1
24-3	101S11019	推板螺钉	Screw	2	2	2	2
25	13515001	针板	Throat plate	1	1	1	1
	13515004	针板	Throat plate				1
	13515005	针板	Throat plate				1
26	104S17002	针板螺钉(进口)	Screw	2	2	2	2
27	1473100100	绕线器组件	Bobbin winder unit	1	1	1	1
28	114S11003	绕线器组件固定螺钉	Rubber plug φ10.5	3	3	3	3
29	11419001	切线刀	THREAD CUTTER	1	1	1	3
30	114S11015	割线刀螺钉	SCREW	2	2	2	2
31	1361300800	绕线夹线器组件	BOBBIN THREAD TENSION ASM	1	1	1	1
32	135S20010	底板撑杆(头部)	Bed screw stud(head)	2	2	2	2



2. 上轴挑线分组件/Main shaft & thread take-up components

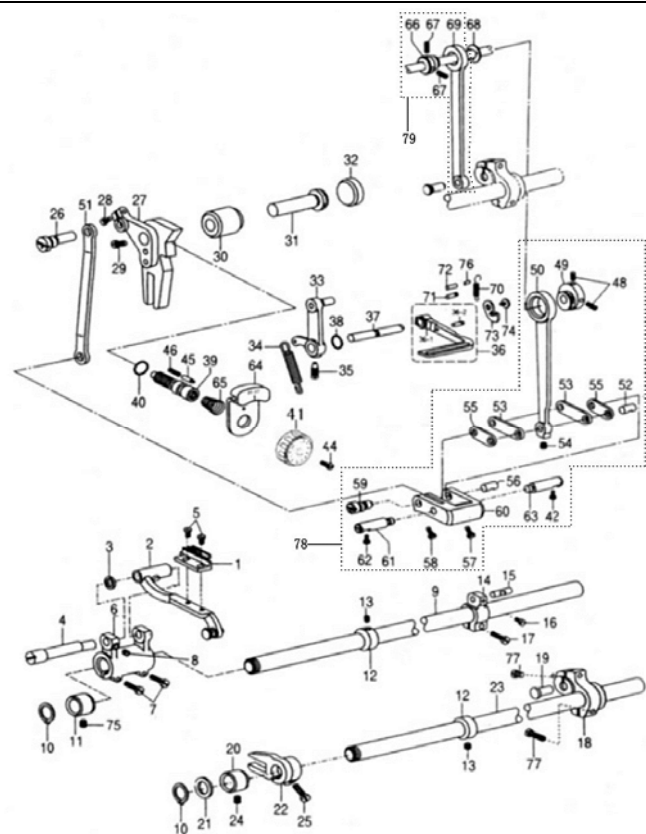
序号NO.	公司件号 Part NO.	名称 PartName	零件描述 Description	数量 Number			
				CZ	CZXB	CZSD	CZST
1	14702011	上轴	Main shaft	1	1	1	1
2	10122012	上轴橡皮塞	Rubber plug	1	1	1	1
3	10108003	送料轴挡圈	Thrust collar asm.	1	1	1	1
4	101S15002	送料轴挡圈螺钉	Screw	2	2	2	2
5	13603023	上轴前轴套	Main shaft bushing, front	1	1	1	1
6	13503017	上轴中轴套	Brushing, intermediate	1	1	1	1
7	135S15006	上轴中套螺钉	Screw	1	1	1	1
8	13603027	上轴后套	Main shaft bushing, back	1	1	1	1
9	13522010	上轴后轴套油封组件	Main shaft	1	1	1	1
10	304714	主动轮	Screw	1	1	1	1
11	S10009	主动轮螺钉	Screw	2	2	2	2
12	1353800200	挑线杆组件(加粗)	Thread take-up asm	1	1	1	1
13	13502003	挑线连杆铰链销	Thread take-up crank shaft	1	1	1	1
14	135S15009	挑线连杆铰链销螺钉	Screw	1	1	1	1
15	13504001	针杆曲柄	Counterweight	1	1	1	1
16	135S12001	挑线曲柄螺钉	Screw	1	1	1	1
17	101S15007	挑线曲柄定位螺钉	Screw	1	1	1	1
18	101S15004	针杆曲柄螺钉	Screw	1	1	1	1
19	135S11002	针杆曲柄定位螺钉	Screw	1	1	1	1
20	14703006	针杆上衬套	Needle bar metal, upper	1	1	1	1
21	10122013	针杆上衬套橡皮塞(φ8.5)	Cap	1	1	1	1
22	13503007	针杆下衬套	Needle bar metal, lower	1	1	1	1
23	14735001	驱动轮	BTW-DRIVING-WHEEL	1	1	1	1
24	13602002	针杆	Needle bar	1	1	1	1
25	13513011	针杆过线环	Needle bar thread guide	1	1	1	1
26	13517001	机针(DP×17 23#)	Needle	1	1	1	1
	13517003	机针(DP×17 22#)	Needle		1		
		机针(DP×5 14#)	Needle				1
27	101S11006	夹针螺钉	Screw	1	1	1	1
28	13609001	滑块槽	Needle bar trough	1	1	1	1
29	11409001	针杆接头滑块	Slide block	1	1	1	1
30	101S11008	滑块导轨螺钉	Screw	2	2	2	2
31-1	13505002	针杆接头	Needle bar connection	1	1	1	1
31-2	101S11005	针杆接头螺钉	Screw	1	1	1	1
32	101S11005	软线固定板螺钉	Screw	1	1	1	1
33	13612001	松线钢绳固定架	Fixed frame	1	1	1	1
34	13612002	松线压板	Press plate	1	1	1	1
35	10112003	垫片	Washer plate	1	1	1	1
36	13523001	毛毡	Oil felt for needle bar	1	1	1	1
37	101s11010	松线钢绳固定架螺钉	Screw	2	2	2	2
38	13627002	松线弹簧	Spring	1	1	1	1
39	13612003	松线铰链	Hinge	1	1	1	1
40	13626001	松线销	Pin	1	1	1	1
41	H05024	开口挡圈	RETAINING RING	1	1	1	1
42	136S12001	松线螺钉	Screw	1	1	1	1
43	1363303000	电机(众邦)	Motor	1	1	1	1
44	W02004	弹簧垫圈	Spring washer	4	4	4	4
45		电机安装螺钉M5×70	Screw	4	4	4	4
46	1473304100	电控(众邦)	Machine electric control	1	1	1	1
47	114S30001	电控安装螺钉M5×25	Screw	1	1	1	1
48	136S13001	电控安装螺钉M5×35	Screw	3	3	3	3
49	S10035	绕线器驱动轮螺钉	Screw	2	2	2	2
50	10123002	针杆上毡塞	Oil felt for needle bar	1	1	1	1
51	13811060	电机绝缘防护罩	Motor insulation shield	1	1	1	1



3. 压料分组件/Presser bar components

序号NO.	公司件号 Part NO.	名称 PartName	零件描述 Description	数量 Number			
				CZ	CZXB	CZZD	CZST
1	14711005	压脚扳手	Presser bar lifter	1	1	1	1
2	101S11008	压脚扳手螺钉	Set screw	1	1	1	1
3	13510004	压紧杆提升凸轮	Presser bar lifting cam	1	1	1	1
4	001009	压紧杆提升凸轮油封	O-ring	1	1	1	1
5	13512013	膝腔提升杆(左)	Knee lifter lever (left)	1	1	1	1
6	13510005	松线凸轮	Tension releasing cam	1	1	1	1
7	135S11026	膝腔提升杆(左)螺钉	Knee lifter lever (left) screw	1	1	1	1
8	135S11027	铰链螺钉	Hinged screw	1	1	1	1
9	13512014	膝腔提升杆	Knee lifter rod	1	1	1	1
10	135S11028	松线凸轮螺钉	Screw	1	1	1	1
11	13512015	膝腔提升杆(右)	Knee lifter lever (right)	1	1	1	1
12	13527010	膝腔提升杆(右)弹簧	Presser spring	1	1	1	1
13	13527018	膝腔提升杆(右)弹簧	Presser spring	1	1	1	1
14	13526005	膝腔提升杆	Knee lifter connecting rod	1	1	1	1
15	13526005	弹簧销	Pin for spring	1	1	1	1
16	135S12002	膝腔提升杆(右)螺钉	Knee lifter lever (right) screw	1	1	1	1
17	13503013	压紧杆轴套	Presser bar bushing	1	1	1	1
18	13502019	压紧杆	Presser bar	1	1	1	1
19	114709001	压紧杆导架(加轴承)	Presser bar lifting bracket	1	1	1	1
20	101s15006	压紧杆导架螺钉	Set screw	1	1	1	1
21	14727011	压紧杆弹簧	Presser spring	1	1	1	1
22	135S30004	调压螺钉	Lock nut	1	1	1	1
23	135S16003	调压螺钉锁紧螺母	Set screw	1	1	1	1
24	13516001	小压脚	Presser loot complete	1	1	1	1
25	13516005	小压脚	Presser loot complete	1	1	1	1
26	101S11009	小压脚螺钉	Screw	1	1	1	1
27	13513012	大线勾	Upper thread guide	1	1	1	1
28	101S11008	大线勾螺母	Nut	1	1	1	1
29	14727012	辅助调压弹簧	Presser spring	1	1	1	1
30	135S30005	辅助调压螺钉	Auxiliary lock nut	1	1	1	1
31	13512017	防护勾	Defend tick off	1	1	1	1
32	13528007	小压脚螺钉垫片	Washer	1	1	1	1
33	1351201200	膝腔提升杆(左)组件	Knee lifter lever (left)asm	1	1	1	1
34	30122022	压脚轴碟形密封圈(平缝用)	Knee lifter lever (left)asm	1	1	1	1
35	1147NS16001	六角螺母28SM6/16"28	Hexagon nut	1	1	1	1

4

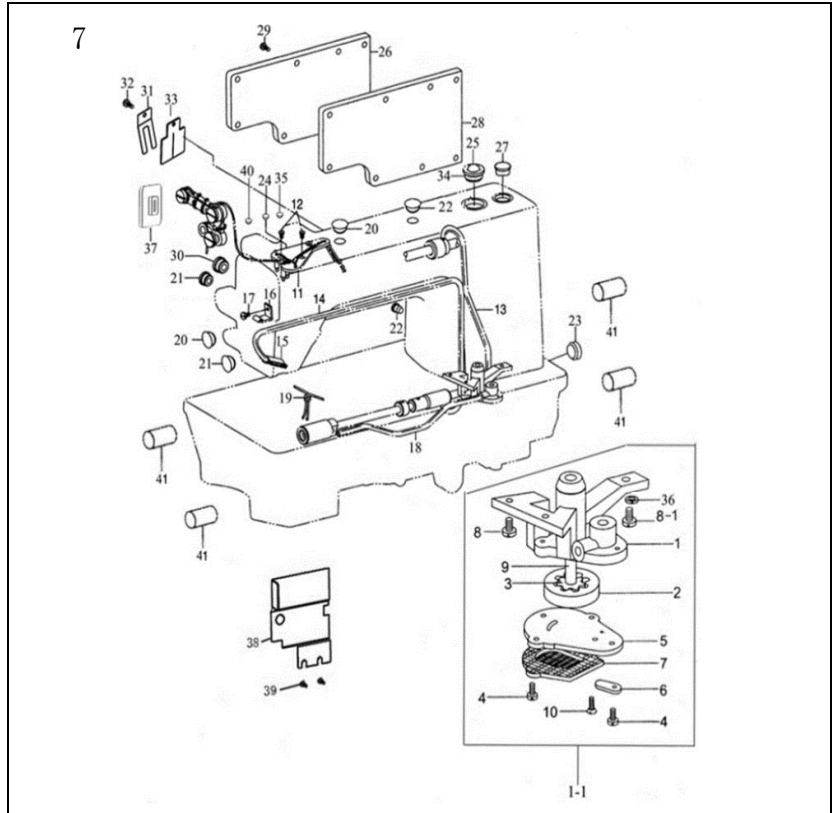
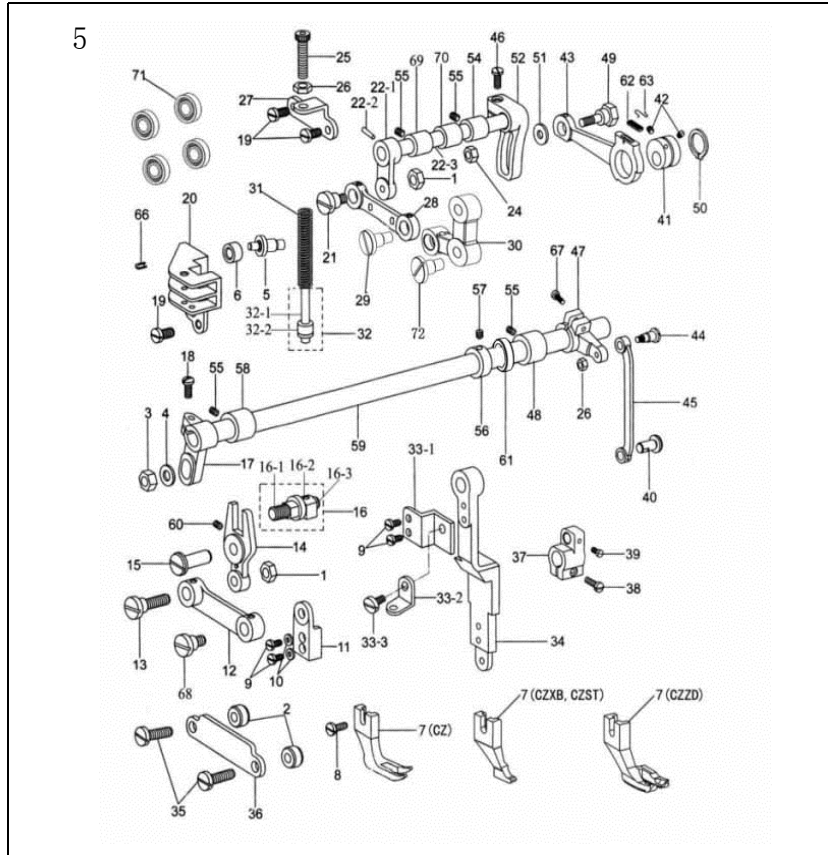


4. 送料分组件Feed mechanism components

序号NO.	公司件号 Part NO.	名称 PartName	零件描述 Description	数量 Number			
				CZ	CZXB	CZZD	CZST
1	13514001	送布牙	Feed dog	1	1	1	1
2	13514002	送布牙	Feed dog	1	1	1	1
3	1350700300	牙架小组件	Feed bar asm	1	1	1	1
4	13528004	牙架垫圈	Washer	1	1	1	1
5	13502005	牙架曲柄偏心轴	Feed bar shaft	1	1	1	1
6	101S11018	送布牙螺钉	Screw	2	2	2	2
7	13504003	牙架曲柄	Feed rocker asm.	1	1	1	1
8	101S11016	曲柄螺钉	Screw	2	2	2	2
9	101S11008	牙架曲柄轴螺钉	Screw	1	1	1	1
10	13602003	送布轴	Feed rocker shaft	1	1	1	1
11	H03001	轴用弹性挡圈	Retaining ring	2	2	2	2
12	13603024	送布轴前轴套	Bushing for feed rock shaft(right)	1	1	1	1
13	10108003	拾牙、送布轴紧固圈	Thrust collar asm.	2	2	2	2
14	101S15002	送料轴挡圈螺钉	Screw	4	4	4	4
15	13504018	送料轴曲柄(右)	Feed rocker shaft crank asm	1	1	1	1
16	13526001	曲柄连杆短销	Walking foot pin	1	1	1	1
17	101S11025	曲柄连杆短销螺钉	Screw	1	1	1	1
18	409S11021	送布轴曲柄(右)螺钉	Screw	1	1	1	1
19	13504019	拾牙右曲柄	Feed lifting rock shaft crank(right)	1	1	1	1
20	13504017	拾牙右曲柄	Feed lifting rock shaft crank(right)	1	1	1	1
21	13603005	拾牙轴前轴套	Bushing for feed rock shaft(right)	1	1	1	1
22	13528006	拾牙、送料轴前轴套垫圈	Washer	1	1	1	1
23	13505004	拾牙叉	Feed forked connection	1	1	1	1
24	13602004	拾牙轴	Feed lifting rock shaft	2	2	2	2
25	135S15009	拾牙轴前轴套螺钉	Screw	1	1	1	1
26	409S11021	拾牙叉夹紧螺钉	Screw	1	1	1	1
27	13510002	针距调节连接销钉	Hinge pin	1	1	1	1
28	13509003	针距座	Feed regulator	1	1	1	1
29	101S11020	拾牙叉形曲柄螺钉	Screw	1	1	1	1
30	135S11009	针距座短螺钉	Screw	1	1	1	1
31	13503026	针距座衬套	Feed regulator bushing	1	1	1	1
32	13502011	针距座轴	Hinge pin for feed regulator	1	1	1	1
33	1352014	橡皮塞	Rubber plug (φ19.5)	1	1	1	1
34	1350401400	倒缝操作杆曲柄	Slide block pin	1	1	1	1
35	13627008	操作杆曲柄弹簧	Spring for feed crank	1	1	1	1
36-1	135S15014	操作杆曲柄螺钉	Screw	1	1	1	1
36-2	302146	倒缝扳手	Reverse feed lever	1	1	1	1
37	13602005	倒缝扳手轴	Hinge pin	1	1	1	1
38	001137	O型密封圈	O-ring	1	1	1	1
39	136S30004	针距调节螺钉	Feed regulator screw bar	1	1	1	1
40	001046	O型密封圈	O-ring	1	1	1	1
41	1471100200	针距盘	Dial	1	1	1	1
42	114S11004	螺钉 11/64-40 L=18	Screw	1	1	1	1
43	101S11022	针距盘螺钉	Dial screw	1	1	1	1
44	11426022	止动销	Stopper pin	1	1	1	1
45	11427034	止动销弹簧	Spring for stopper pin	1	1	1	1
46	135S15007	送布凸轮螺钉	Screw	3	3	3	3
47	13510003	送布凸轮	Feed drive eccentric cam.	1	1	1	1
48	13505005	送布连杆	Rocker shaft connecting rod	1	1	1	1
49	13505006	针距调节连杆	Feed regulator connecting rod	1	1	1	1
50	13502014	曲柄连杆长销	Walking foot link	1	1	1	1
51	13505023	曲柄长连杆	Walking foot pin	2	2	2	2
52	209S14008	送布连杆螺钉	Screw	1	1	1	1
53	13505024	曲柄短连杆	connecting link	2	2	2	2
54	13526003	曲柄连杆短销	Walking foot link	1	1	1	1
55	201S11012	短连杆销螺钉	Screw	1	1	1	1
56	201S11007	连杆偏心轴螺钉	Screw	1	1	1	1
57	13502015	连杆偏心轴	Hinge pin	1	1	1	1
58	13504007	针距调节曲柄	Walking foot adjusting link	1	1	1	1
59	13502016	针距调节曲柄定位销(左)	Adjusting link fulcrum shaft	1	1	1	1
60	105S11019	左销螺钉	Screw	1	1	1	1
61	13502017	针距调节曲柄定位销(右)	Adjusting link fulcrum shaft	1	1	1	1
62	14212068	针距按键	Feed regulator key-press	1	1	1	1
63	13527009	针距按键簧	Dial spring for stopper pin	1	1	1	1
64	13510001	拾牙凸轮	Feed drive eccentric cam.	1	1	1	1
65	135S15007	拾牙凸轮螺钉	Screw	3	3	3	3
66	13528002	拾牙凸轮垫片	Thrust collar	1	1	1	1
67	13505001	拾牙连杆	Connecting rod	1	1	1	1
68	13627003	倒缝扳手簧	Spring for feed crank	1	1	1	1
69	13626003	弹簧挂销	pin	1	1	1	1
70	12926001	倒缝扳手限位销	pin	1	1	1	1
71	13612004	倒缝扳手板	Reverse feed lever	1	1	1	1
72	136S30001	倒缝扳手轴螺钉	Screw	1	1	1	1
73	135S15009	送布轴前轴套螺钉	Screw	1	1	1	1
74	12921005	销套	bushing	1	1	1	1
75	135S11048	拾牙右曲柄螺钉	Screw	2	2	2	2
76	409S11015	拾牙右曲柄螺钉	Screw	1	1	1	2
77	1350501500	送布连杆组件	Rocker shaft connecting rod asm	1	1	1	1
78	11350500200	拾牙连杆组件	Connecting rod asm	1	1	1	1

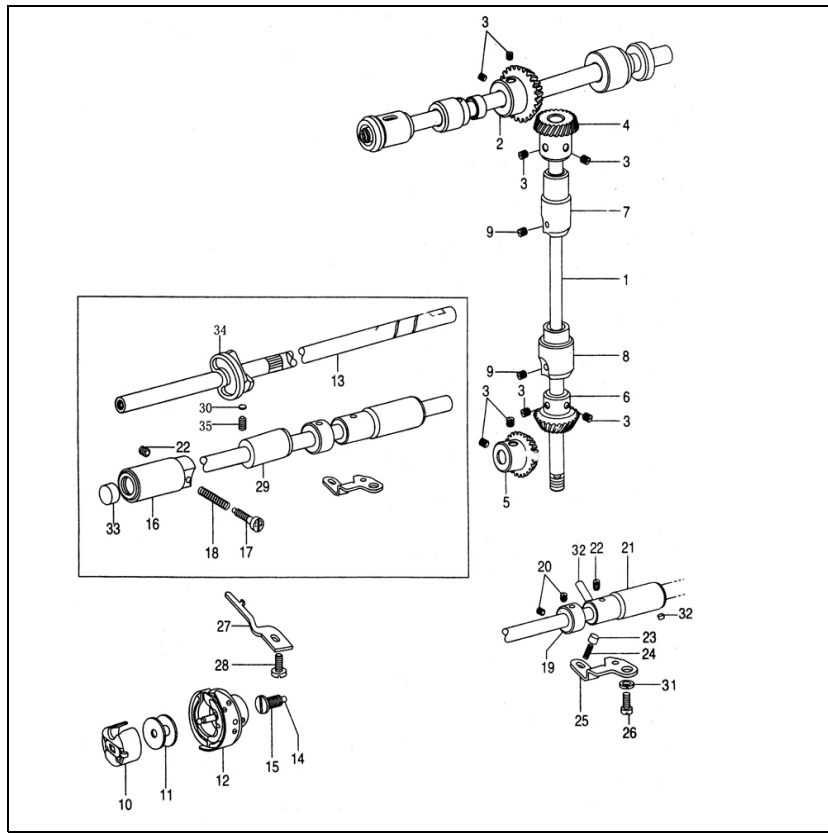
5. 送料分组件Feed mechanism components

序号NO.	公司件号 Part NO.	名称 PartName	零件描述 Description	数量 Number			
				CZ	CZXB	CZZD	CZST
1	135S16004	压脚送料变动连接螺母	Nut	2	2	2	2
2	13508011	压脚送料压板垫块	Shim	2	2	2	2
3	135S16005	压脚送料连接螺母	Nut	1	1	1	1
4	11628005	拾牙叉固定螺钉垫圈	Washer	1	1	1	1
5	1147NS30002	送料曲柄导柱轴	Guide shaft	1	1	1	1
6	13508004	提升压脚导柱轴滚柱	Needle of bearing	1	1	1	1
7	13516002	摆压脚	Walking foot	1	1	1	1
8	13516003	摆压脚	Walking foot	1	1	1	1
9	13516006	摆压脚	Walking foot	1	1	1	1
10	135S11030	压脚螺钉	Screw	1	1	1	1
11	201S11012	摆压脚座螺钉	Screw	4	4	4	4
12	W02002	摆压脚座螺钉弹簧垫圈	Washer	2	2	2	2
13	13601015	摆压脚座	Holder for walking foot bar	1	1	1	1
14	13505028	摆压脚连杆(加轴承)	Link of walking foot	1	1	1	1
15	135S20013	压脚送料变动连接螺母(加轴承)	Screw	1	1	1	1
16	13505030	摆压脚叉形杆(加轴承)	Fork lever	1	1	1	1
17	13526006	摆压脚叉形杆销	Pin	1	1	1	1
18	1420900400	摆压脚左曲柄调节组件	Crank shaft complete asm	1	1	1	1
19	142S30011	摆压脚左曲柄调节柱	Crank shaft complete	1	1	1	1
20	14209004	曲柄调节柱滑块	Slide block	1	1	1	1
21	H05029	开口挡圈	Retaining ring	1	1	1	1
22	13504020	压脚摆动前曲柄	Presser swing shaft	1	1	1	1
23	402S13011	前曲柄螺钉	Screw	1	1	1	1
24	101S11008	提升压脚导柱板螺钉	Screw	4	4	4	4
25	13509004	提升压脚导柱板	Lifting presser plate	1	1	1	1
26	135S20012	压脚送料曲柄连杆螺钉(加轴承)	Screw	1	1	1	1
27	1350401500	压脚升降前曲柄组件	Presser lifting crank	1	1	1	1
28	N02001	六角螺母M6X0.75	Nut	1	1	1	1
29	135S30007	摆压脚调压螺钉	Lifting presser adjusting screw	1	1	1	1
30	135S16006	摆压脚调压螺母	Lifting presser adjusting nut	2	2	2	2
31	13512018	摆压脚调压螺钉架	Lifting presser bracket for spring	1	1	1	1
32	13505027	压脚送料曲柄连杆(加轴承)	Presser feed crank link	1	1	1	1
33	1147NS20001	压脚送料曲柄连杆螺钉(带轴承)	Screw	1	1	1	1
34	114704001	压脚送料曲柄	Presser feed crank	1	1	1	1
35	14727013	摆压脚调压杆弹簧	Lifting presser spring	1	1	1	1
36	1350202100	调压杆弹簧导柱	Presser spring guide	1	1	1	1
37	13502026	调压杆弹簧导柱杆	Presser spring guide	1	1	1	1
38	13502027	调压杆弹簧导柱套	Presser spring guide	1	1	1	1
39	1351202000	提升压脚导柱架组件	Lifting presser guide plate	1	1	1	1
40	13501005	提升压脚导柱定位板	Lifting presser guide plate	1	1	1	1
41	13512020	提升压脚导柱架	Lifting presser guide plate	1	1	1	1
42	135S11036	导柱架螺钉	Screw	1	1	1	1
43	13501006	摆压脚杆	Presser rod guide	1	1	1	1
44	116S11005	提升压脚连接压板螺钉	Screw	2	2	2	2
45	13512019	提升压脚连接压板	Lifting presser sway crank guide pin	1	1	1	1
46	13504022	送布轴曲柄(中)	Feed rocker shaft crank asm	1	1	1	1
47	101S11025	复位板螺钉	Screw	1	1	1	1
48	116S11005	牙架曲柄螺钉	Screw	1	1	1	1
49	135S20004	大连杆曲柄连接销	Screw	1	1	1	1
50	13510006	压脚升降偏心轮	Eccentric wheel	1	1	1	1
51	13510009	压脚升降偏心轮	Eccentric wheel	1	1	1	1
52	101S15007	螺钉	Screw	2	2	2	2
53	13505013	连杆	Eccentric wheel rod	1	1	1	1
54	13505025	连杆	Eccentric wheel rod	1	1	1	1
55	135S20005	压脚摆动后曲柄连杆螺钉	Screw	1	1	1	1
56	13505014	摆压脚大连杆	Presser swing crank(right)rod	1	1	1	1
57	135S11035	偏心连杆调节曲柄螺钉	Screw	1	1	1	1
58	13504023	压脚摆动后曲柄	Presser swing crank(right)	1	1	1	1
59	13503014	压脚摆动轴中轴套	Presser swing shaft bushing (right)	1			



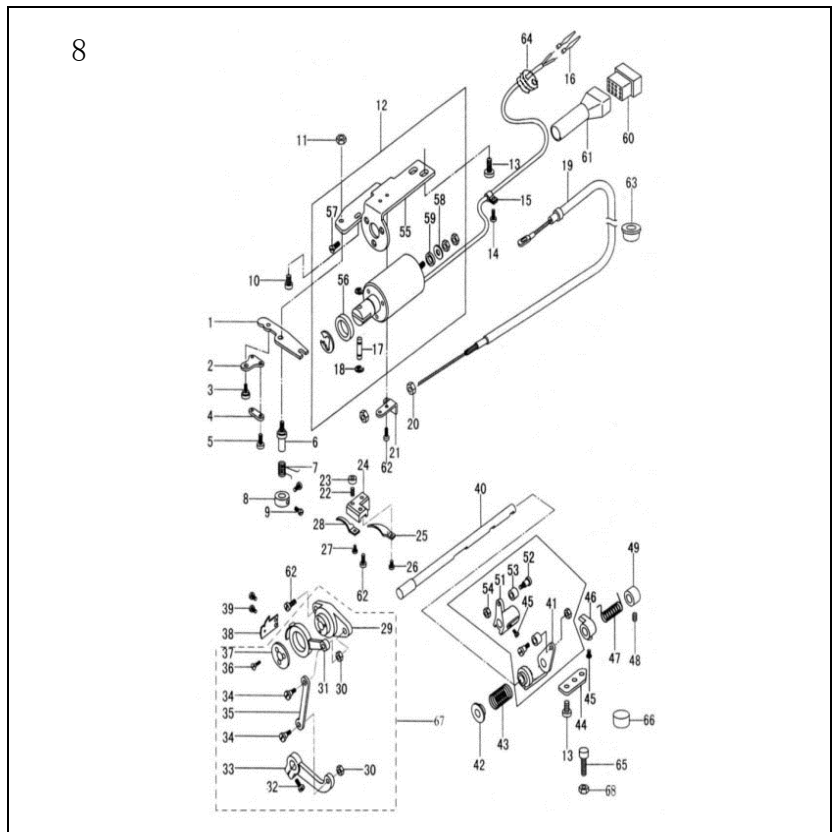
7. 润滑组件 Oil lubrication components

序号NO.	公司件号 Part NO.	名称 PartName	零件描述 Description	数量 Number			
				CZ	CZXB	CZSD	CZST
1-1	1352000200	油泵组件	Oil pump asm	1	1	1	1
1	13520001	油泵体	Oil pump	1	1	1	1
2	13525005	油泵大齿轮	Big gear for oil pump	1	1	1	1
3	13525006	油泵小齿轮	Small gear for oil pump	1	1	1	1
4	135S11037	油泵调节板螺钉	Screw	3	3	3	3
5	13512021	油泵体盖板	Cover for oil pump	1	1	1	1
6	13512022	油泵调节板	Adjusting plate for oil pump	1	1	1	1
7	13512024	油泵滤网	Filter complete	1	1	1	1
8	105S11019	油泵螺钉	Screw	2	2	2	3
8-1	114S11004	油泵螺钉	Screw	1	1	1	1
9	13502024	油泵体短轴	Shaft for oil pump	1	1	1	1
10	S02024	油泵体盖板螺钉	Screw	2	2	2	2
11	1351202400	油线固定板大组件	Oil wick set plate complete	1	1	1	1
12	101S11010	油线固定板螺钉	Screw	2	2	2	2
13	1352100700	上轴油管组件	Oil pipe complete for upper shaft	1	1	1	1
14	12921002	回油管 φ3Xφ4	Oil return pipe	1	1	1	1
15	13523003	回油管滤油毡	Oil felt	1	1	1	1
16	13512025	回油管夹	Pipe return pipe clamp	1	1	1	1
17	201S11014	回油管夹螺钉	Screw	1	1	1	1
18	1362100100	下轴油管组件	Oil pipe for arm shaft	1	1	1	1
18-1	13621001	下轴油管	Oil pipe for shaft	1	1	1	1
18-2	13636001	下轴油管接头	Hose connector	1	1	1	1
19	10423005	油线 2.5x260/2.5x290	Oil wick	1	1	1	1
20	13522001	面板橡皮塞 (φ19)	Rubber plug (φ19)	1	1	1	1
21	13522002	面板橡皮塞 (φ11.8)	Rubber plug (φ11.8)	2	2	2	2
22	13522003	橡皮塞 (φ8.8)	Rubber plug φ8.8	1	1	1	1
23	13522004	橡皮塞 (φ27)	Rubber plug φ27	1	1	1	1
24	13522005	橡皮塞 (φ5.7)	Rubber plug φ5.7	2	2	2	2
25	10111004	油窗	Oil sight window	1	1	1	1
26	304715	后盖板	Side plate	1	1	1	1
27	13522008	橡皮塞 (φ25.5)	Rubber plug φ25.5	1	1	1	1
28	14722006	后盖板密封垫片	Gasket	1	1	1	1
29	101S11001	后盖板螺钉	Screw	8	8	8	8
30	12922001	橡皮塞	Rubber plug φ12.5	1	1	1	1
31	305102	小挡油板	Keep off plate	1	1	1	1
32	101S11004	小挡油板螺钉	Screw	1	1	1	1
33	14722011	小挡油板羊毛毡	Gasket	1	1	1	1
34	10122019	油窗O型圈	O-ring	1	1	1	1
35	14022013	A4S-0754孔塞8.5	Rubber plug φ8.5	1	1	1	1
36	W01006	GB/T97.1-1985垫圈4	Spring washer	1	1	1	1
37	13522018	大连杆橡胶垫	Rubber gasket	1	1	1	1
38	13612023	挡油板	Keep off plate	1	1	1	1
39	112S11014	挡油板螺钉	Screw	2	2	2	2
40	10122005	挑线连杆销螺孔塞	Take-up link pin screw plug	1	1	1	1
41	13523005	羊毛块	Oil felt	4	4	4	4



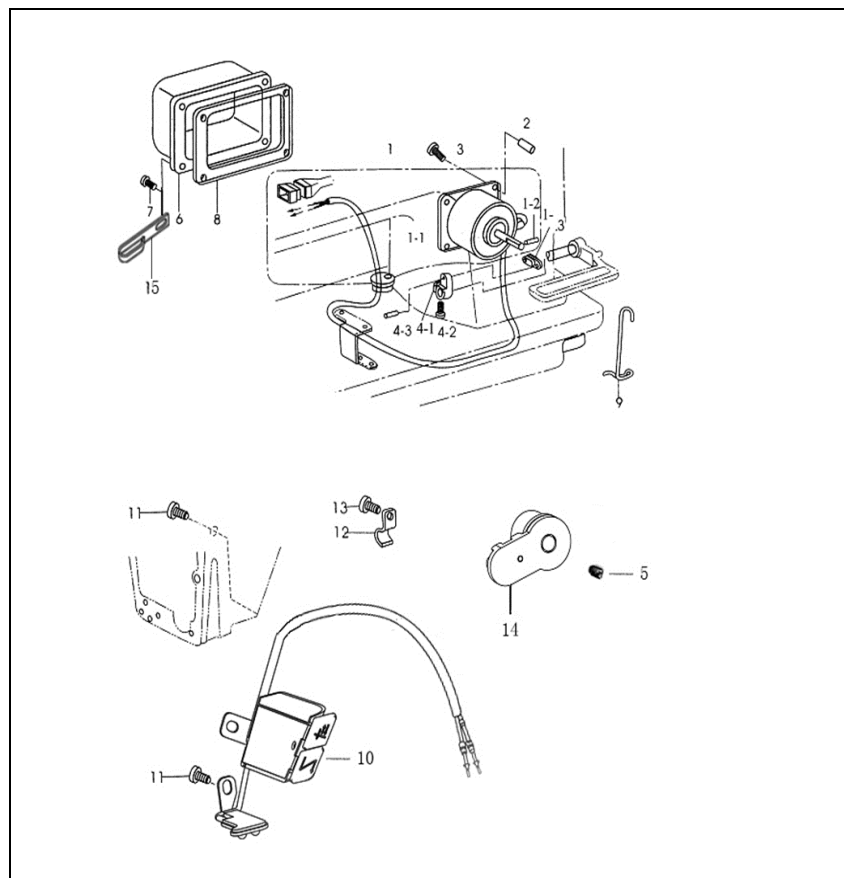
6. 旋梭部件 Hook components

序号NO.	公司件号 Part NO.	名称 PartName	零件描述 Description	数量Number			
				CZ	CZXB	CZSD	CZST
1	13502002	竖轴	Upring shaft	1	1	1	1
2	13525001	上轴伞齿轮	Gear asm.	1	1	1	1
3	101S15007	螺钉	Screw	8	8	8	8
4	13525002	竖轴伞齿轮 (上)	Gear asm.	1	1	1	1
5	13525003	下轴伞齿轮	Pinion asm.	1	1	1	1
6	13525004	竖轴伞齿轮 (下)	Gear asm.	1	1	1	1
7	13503018	竖轴轴套 (上)	Bushing, upper	1	1	1	1
8	13503019	竖轴轴套 (下)	Upring shaft bushing, ower	1	1	1	1
9	135S15008	竖轴轴套螺钉	Screw	2	2	2	2
10	13618001	梭心套组件	Hook asm	1	1	1	1
11	10818501	梭芯	Bobbin	1	1	1	1
12	13618003	旋梭 (无尾)	Hook asm	1	1	1	1
12	13618007	旋梭 (有尾)	Hook asm	1	1	1	1
13	13602006	下轴	Hook driving shaft	1	1	1	1
14	10123003	下轴滤油塞	Oil wick	1	1	1	1
15	13522007	下轴滤油塞螺钉	Screw	1	1	1	1
16	13603008	下轴前轴套	Bushing, front	1	1	1	1
17	13522008	油量调节螺钉	Oil adjusting screw	1	1	1	1
18	13527005	油量调节弹簧	Spring	1	1	1	1
19	10108002	下轴紧圈	Thrust collar asm.	1	1	1	1
20	101S11012	下轴紧圈螺钉	Screw	2	2	2	2
21	13603025	下轴轴套 (右)	Bushing, rear	1	1	1	1
22	135S15009	下轴轴套螺钉	Screw	1	1	1	1
23	13502008	柱塞	Plunger	1	1	1	1
24	13527006	柱塞弹簧	Plunger spring	1	1	1	1
25	13512009	档板	Guide plate	1	1	1	1
26	135S11019	档板螺钉	Screw	1	1	1	1
27	13512010	旋梭定位勾	Rotating hook positioner	1	1	1	1
28	101S11011	旋梭定位勾螺钉	Screw	1	1	1	1
29	13603026	下轴中轴套	Bushing, middle	1	1	1	1
30	13628003	切线凸轮螺钉垫片	Washer	2	2	2	2
31	W02004	档板螺钉弹簧垫圈	Washer	1	1	1	1
32	13521001	下轴轴套油管	Oil pipe for hook shaft bushing	1	1	1	1
33	11522001	下轴油封	Plunger	1	1	1	1
34	13610003	切线凸轮	Thread trimmer cam	1	1	1	1
35	116S14005	切线凸轮螺钉	Screw	2	2	2	2



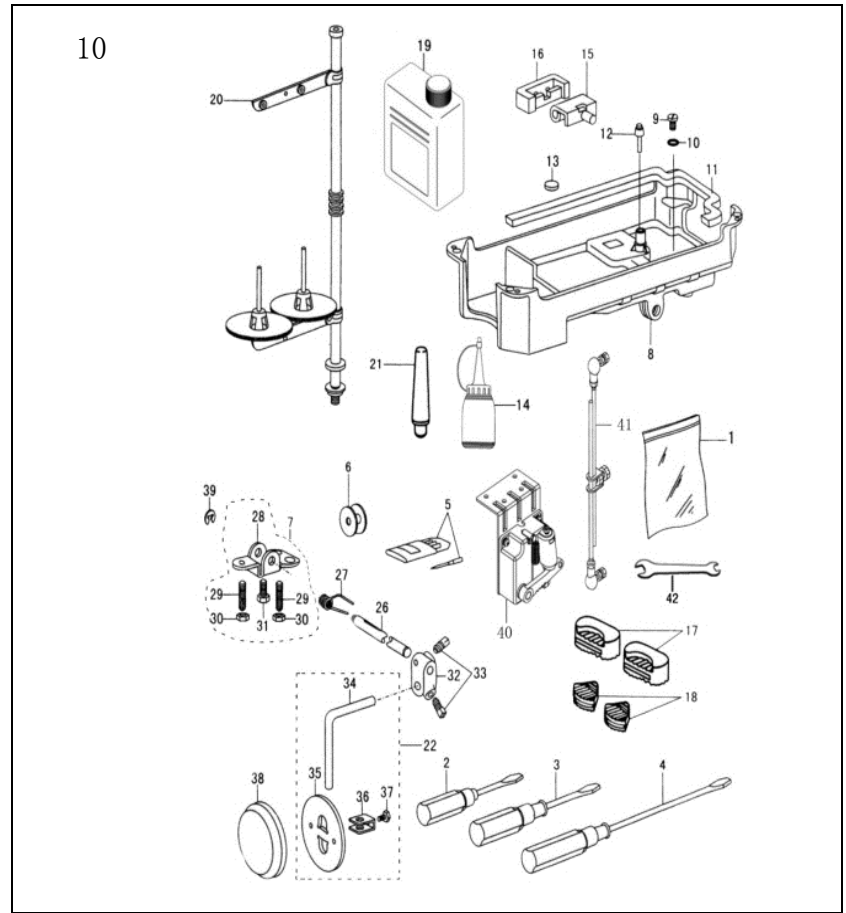
8. 切线装置部件 Thread trimmer components

序号NO.	公司件号 Part NO.	名称 PartName	零件描述 Description	数量 Number			
				CZ	CZXB	CZSD	CZST
1	13612006	驱动板	Thread trimmer driving lever	1	1	1	1
2	13612007	软线支撑板	Adapter	1	1	1	1
3	136520001	软线支撑板螺钉	Screw	1	1	1	1
4	13612008	软线连板	Adapter	1	1	1	1
5	305S12005	软线连板螺钉	Screw	2	2	2	2
6	13602007	驱动板轴	shaft	1	1	1	1
7	13627004	驱动板弹簧	Spring	1	1	1	1
8	30108004	驱动板轴套圈	Thrusr collar asm	1	1	1	1
9	101S11005	驱动板轴套圈螺钉	Screw	2	2	2	2
10	101S11020	安装架连接螺钉	Screw	1	1	1	1
11	114S16005	驱动轴螺母	Nut	1	1	1	1
12	1363000600	剪线电磁铁	Thread electromagnet drive assembly	1	1	1	1
13	201S11029	安装架固定螺钉	Screw	4	4	4	4
14	101S11025	螺钉	Screw	1	1	1	1
15	12312011	线夹	Cable clip	1	1	1	1
16		插头接头	Plug connector	2	2	2	2
17	13626005	剪线电磁铁销	Pin	1	1	1	1
18	H05012	挡圈	Ring	2	2	2	2
19	1361300300	松线钢丝绳组件	Loose wire rope assembly	1	1	1	1
20	116S16010	软线螺母	Nut	2	2	2	2
21	13612009	软线座	The mounting plate	1	1	1	1
22	136S10004	定子座螺钉	Screw	1	1	1	1
23	136S16003	定子座螺母	Screw	1	1	1	1
24	13601007	定子座	Bracket for fixed blade	1	1	1	1
25	13612010	栏线板	Thread guide	1	1	1	1
26	101S11005	栏线板螺钉	Screw	1	1	1	1
27	136S17001	定刀片螺钉	Screw	1	1	1	1
28	13619001	定刀片	Fixed blade	1	1	1	1
29	42209006	刀架	Knife holding bracket saddle	1	1	1	1
30	422S16002	刀轴连杆螺母	Nut	2	2	2	2
31	42204008	刀架(左)	Knife base (left)	1	1	1	1
32	S05005	驱动曲柄螺钉	Screw	1	1	1	1
33	13604001	剪线电磁铁驱动曲柄	Knife driving crank	1	1	1	1
34	422S20006	刀架连杆螺钉	Screw	2	2	2	2
35	42205008	刀架连杆	Link	1	1	1	1
36	422S17006	刀架螺钉	Screw	3	3	3	3
37	42212049	刀架垫圈	Washer	1	1	1	1
38	13619002	动刀片	Movable knife (left)	1	1	1	1
39	136S17003	动刀片紧固螺钉	Screw	2	2	2	2
40	13602008	凸轮曲柄轴	Knife driving shaft	1	1	1	1
41	13604002	切线凸轮右曲柄	Tangential cam right crank	1	1	1	1
42	13601010	扭簧端盖	Torsion spring end cap	1	1	1	1
43	13627005	曲柄轴弹簧	Spring	1	1	1	1
44	13612011	止动板	Stopper plate	1	1	1	1
45	136S14002	限位块螺钉	Screw	3	3	3	3
46	13601011	限位块	Stopper	1	1	1	1
47	13627006	凸轮轴扭簧	Spring	1	1	1	1
48	113S14020	下轴后套螺钉	Screw	2	2	2	2
49	20108001	凸轮轴套圈	Thrusr collar asm	1	1	1	1
51	13604003	切线凸轮左曲柄	Tangent cam left crank	1	1	1	1
52	136S20003	滚轮螺钉	Screw	2	2	2	2
53	13609002	滚轮	Cam follower	2	2	2	2
54	136S17005	滚轮螺母	Nut	2	2	2	2
55	13612012	剪线电磁铁安装架	Wire trimming electromagnet mounting bracket	1	1	1	1
56	13628005	密封垫圈(大)	Gasket	1	1	1	1
57	136S17004	剪线电磁铁紧固螺钉	Screw	3	3	3	3
58	13628006	平垫片	Washer	1	1	1	1
59	13628007	密封垫圈(小)	Washer	1	1	1	1
60		插头套	Plug sleeve	1	1	1	1
61		线罩	Wire cover	1	1	1	1
62	101S11025	螺钉	Screw	4	4	4	4
63	13628011	栏线板垫片	Gasket	1	1	1	1
64	13622004	电线孔塞	Wire plug	1	1	1	1
65	136S30002	止动螺钉	Screw	1	1	1	1
66	13628008	缓冲垫	Cushion	1	1	1	1
67	1360100800	刀架组件	Knife holding bracket saddle asm	1	1	1	1
68	205S16002	螺母	Nut	1	1	1	1



9. 自动倒送料开关组件 Automatic reverse feed components

序号NO.	公司件号 Part NO.	名称 PartName	零件描述 Description	数量 Number			
				CZ	CZXB	CZSD	CZST
1		倒缝电磁铁组件	Backstitch electromagnet assembly	1	1	1	1
1-1	1363000700	倒缝电磁铁组件	Backstitch electromagnet assembly	1	1	1	1
1-2	13626007	倒缝电磁铁连杆销	Backstitch electromagnet link pin	1	1	1	1
1-3	13605002	倒缝电磁铁连杆	Backstitch solenoid rod	1	1	1	1
2	13603011	衬套	Bush	4	4	4	4
3	136S15005	衬套螺钉	Screw	4	4	4	4
4	1360400400	倒缝电磁铁曲柄组件	Backstitch electromagnet crank assembly	1	1	1	1
4-1	13604004	倒缝电磁铁曲柄	Backstitch electromagnet crank	1	1	1	1
4-2	136S11012	曲柄螺钉	Screw	1	1	1	1
4-3	13626006	倒缝电磁铁曲柄连杆销	link pin	1	1	1	1
5	113S14020	下轴后套螺钉	Screw	1	1	1	1
6	302147	倒缝电磁铁罩	Backstitch solenoid cover	1	1	1	1
7	101S11021	倒缝电磁铁螺钉	Screw	4	4	4	4
8	13628009	倒缝电磁铁罩垫片	Seals	1	1	1	1
9	13627007	倒缝操作杆曲柄弹簧钩	Spring hook	1	1	1	1
10	1473000800	倒缝电磁铁开关组件	Switch assembly	1	1	1	1
11	101S11004	开关安装架螺钉	Screw	2	2	2	2
12	40511001	塑料线夹	Clamps	2	2	2	2
13	101S11005	塑料线夹螺钉	Screw	2	2	2	2
14	1363001000	少鸟巢电子夹线器	Nest less e-device	1	1	1	1
15	41312003	油管固定架	Screw	1	1	1	1



10. 机头附件 Machine head accessories

序号NO.	公司件号 Part NO.	名称 PartName	零件描述 Description	数量 Number			
				CZ	CZXB	CZSD	CZST
1	114131001	A5-1311防尘罩	Machine head cover	1	1	1	1
2	10131004	螺钉起子(小)	Screw driver (small)	1	1	1	1
3	10131003	螺钉起子(中)	Screw driver (middle)	1	1	1	1
4	20731047	螺丝刀	Screw driver (large)	1	1	1	1
5	13517001	机针	Needle	4	4	4	4
6	10818501	梭芯	Bobbin	5	5	5	5
7	1351203700	JK-6380-0843膝控限位架组件	Knee control limit frame assembly	1	1	1	1
	1350100900	JK-6380-0842油盘组件	Oil pan assembly	1	1	1	1
8	13501007	油盘	Oil reservoir	1	1	1	1
9	135S11041	放油螺钉	Screw	1	1	1	1
10	001047	放油螺钉垫圈	Washer	1	1	1	1
11	135S23006	油盘垫	Gasket	1	1	1	1
12	13511006	膝控提升顶杆	Knee press lifter rod	1	1	1	1
13	10131001	磁块	Magnet	1	1	1	1
14	20131038	小油壶	Oil pot	1	1	1	1
15	10122060	机壳胶链	Rubber coat	2	2	2	2
16	1011203100	机壳胶链套	Hing	2	2	2	2
17	113522001	机头防震垫块(大)	Cushion (big)	2	2	2	2
18	10122022	机头防震垫块(小)	Cushion (small)	2	2	2	2
19	1011101200	油箱	Oil tank	1	1	1	1
20	138S100300	线架组件	Spool stand complete	1	1	1	1
21	10111011	机头支柱	Frame support bar	1	1	1	1
22	1351203800	膝控操纵杆组件	Joystick assembly	1	1	1	1
26	13502025	膝控铰链轴	Hinge pin	1	1	1	1
27	13527014	膝控复位弹簧	Spring	1	1	1	1
28	13512026	膝控限位架	Knee lifter stop bracket	1	1	1	1
29	135S15019	膝控限位调节螺钉	Screw	2	2	2	2
30	N01029	调节螺母	Nut	2	2	2	2
31	135S12003	膝控限位架螺钉	Screw	1	1	1	1
32	10101008	磁块弯杆接头	Connector	1	1	1	1
33	101S12003	磁块弯杆接头螺钉	Screw	2	2	2	2
34	13512038	膝控磁块弯杆	Bent rod	1	1	1	1
35	10112029	膝控磁块	Bell	1	1	1	1
36	10112030	磁块架	Bell bracket	1	1	1	1
37	101S12004	磁块架螺钉	Screw	1	1	1	1
38	10122024	磁块垫	Pat	1	1	1	1
39	H05010	开口挡圈	Split stop ring	1	1	1	1
40	10130044	电控脚踏	Electric control pedal	1	1	1	1
41	20730335	脚踏连杆	Pedal connecting rod	1	1	1	1
42	114712003	开口扳手(14-10)	open wrench	1	1	1	1