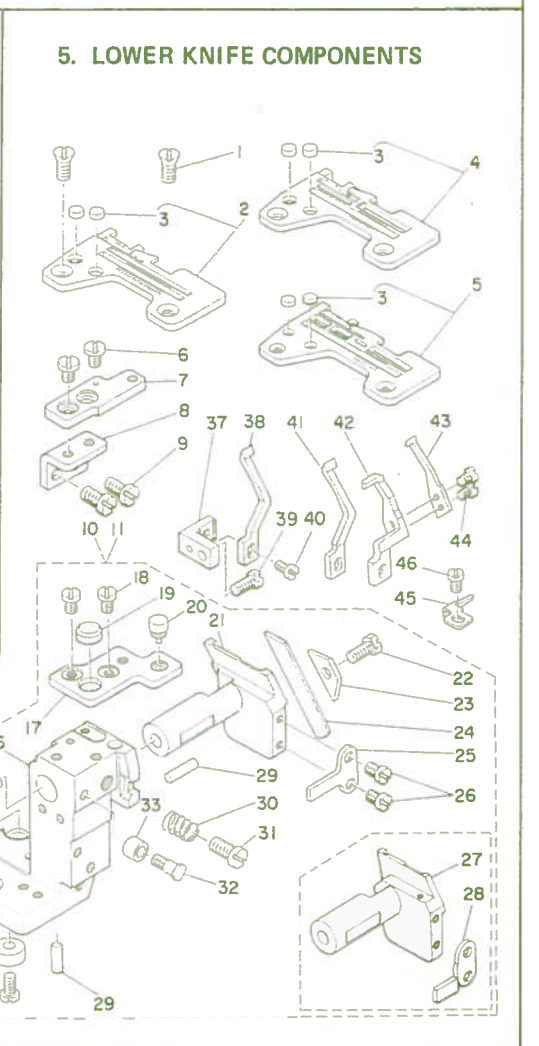
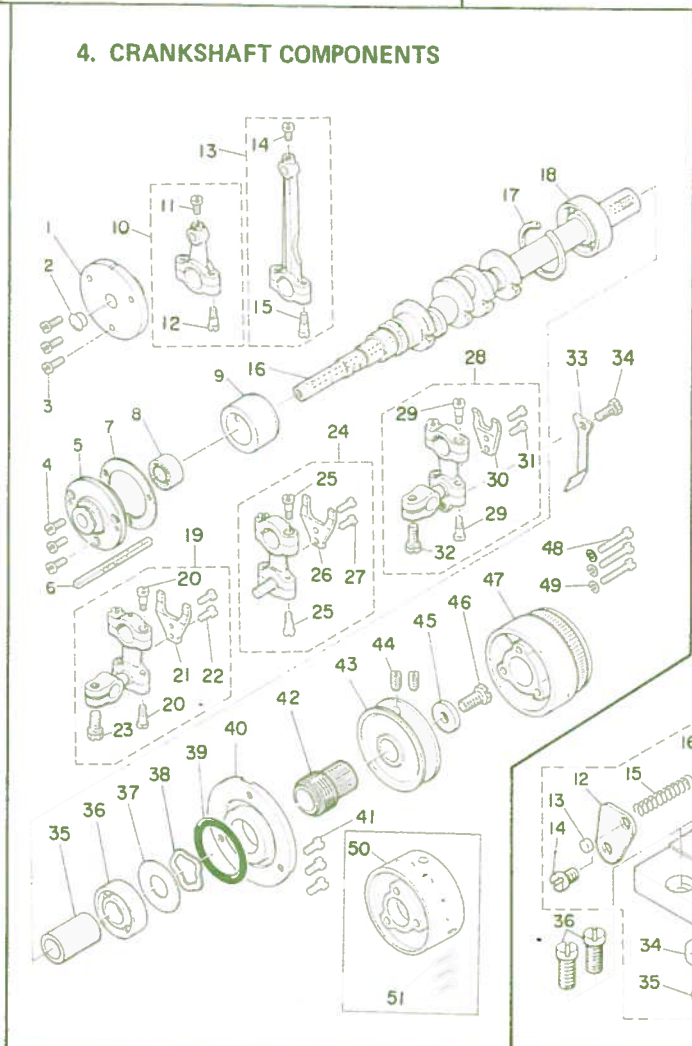
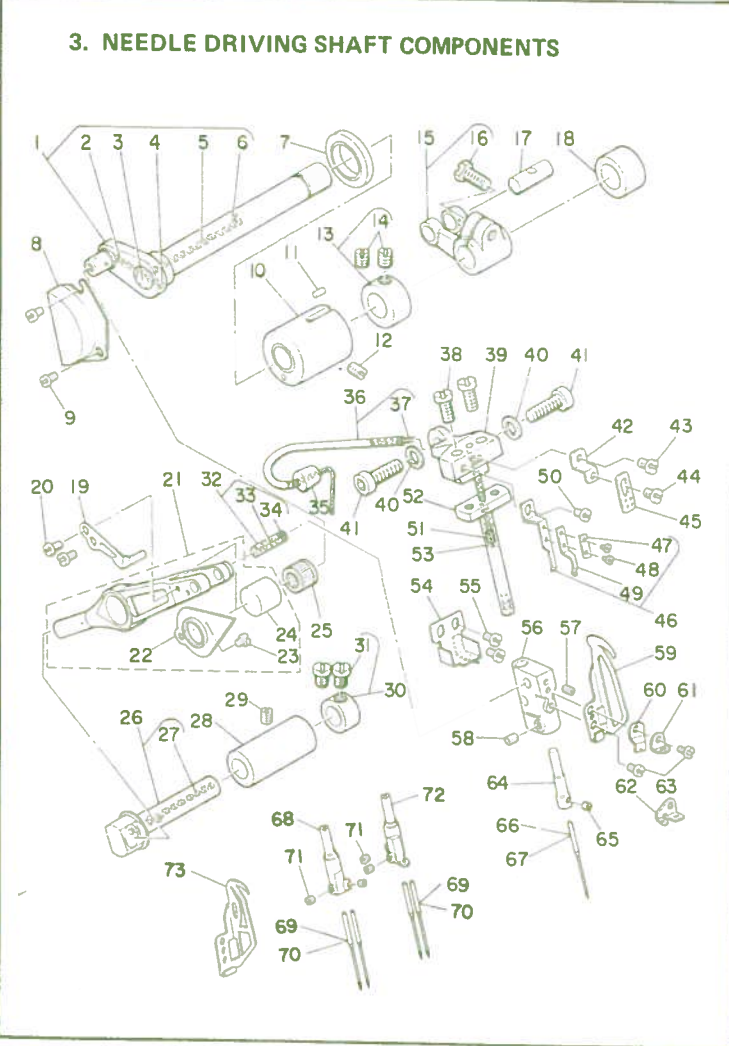
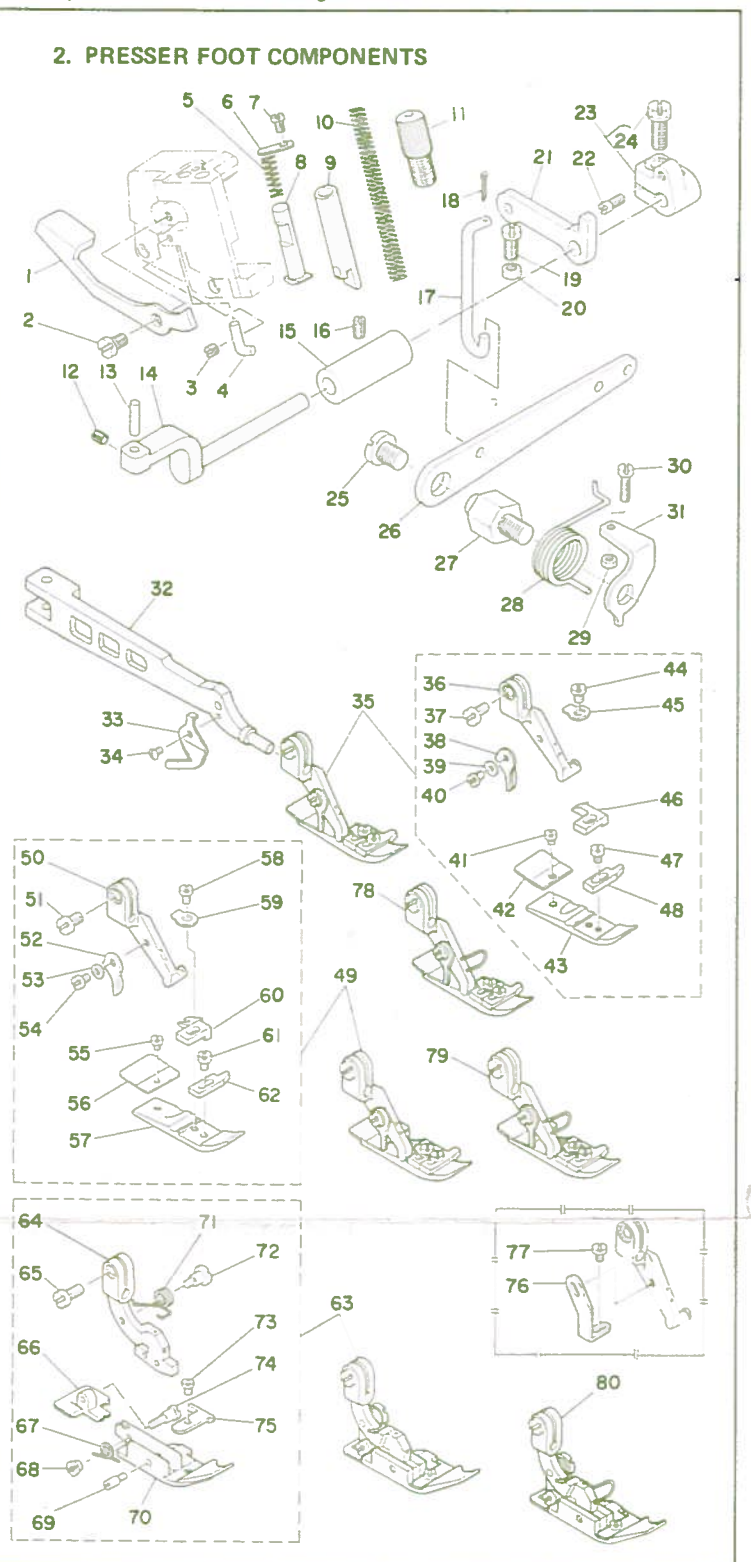
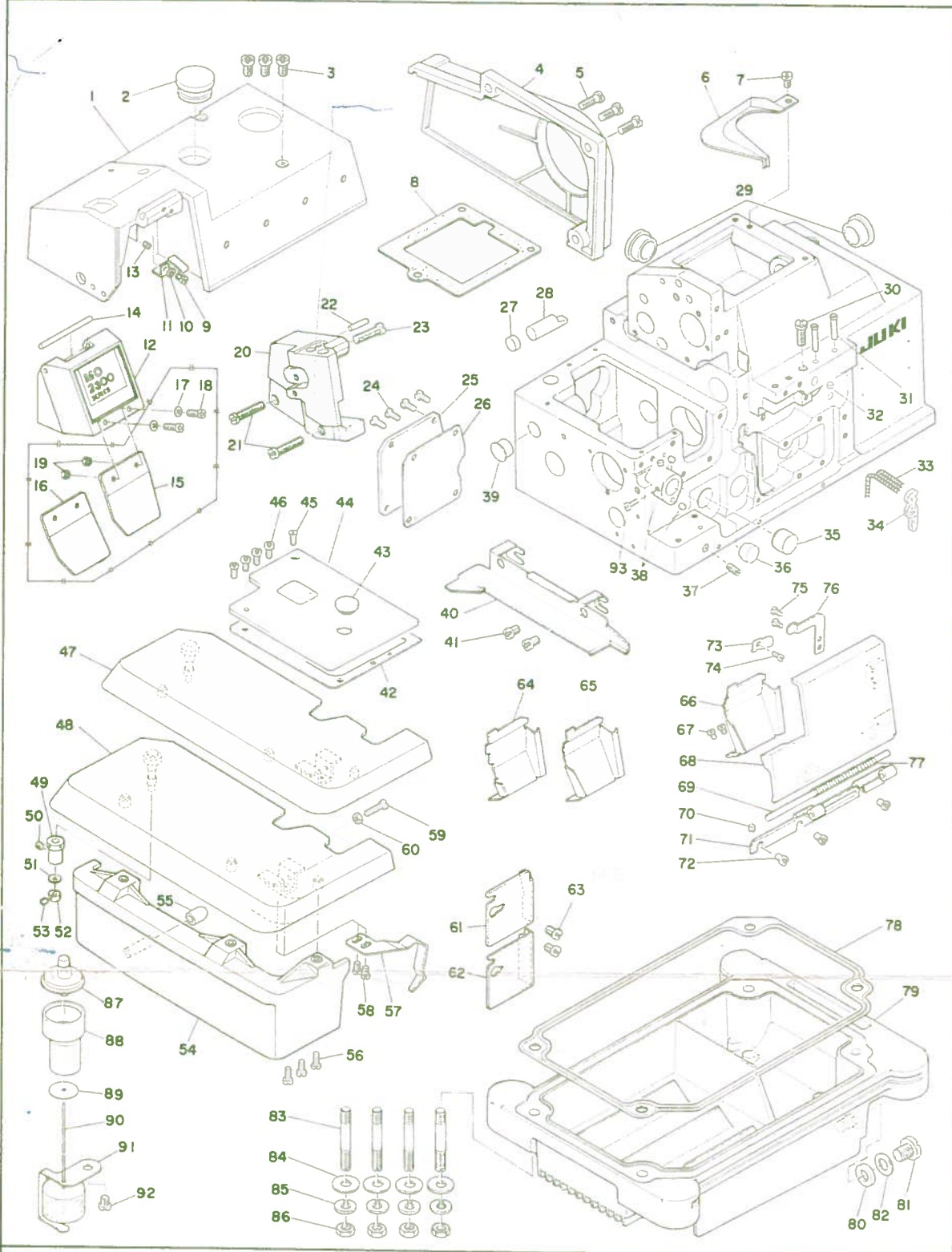


model **MO-2304-0D4**
Single Needle, Overedging Industrial Sewing Machine

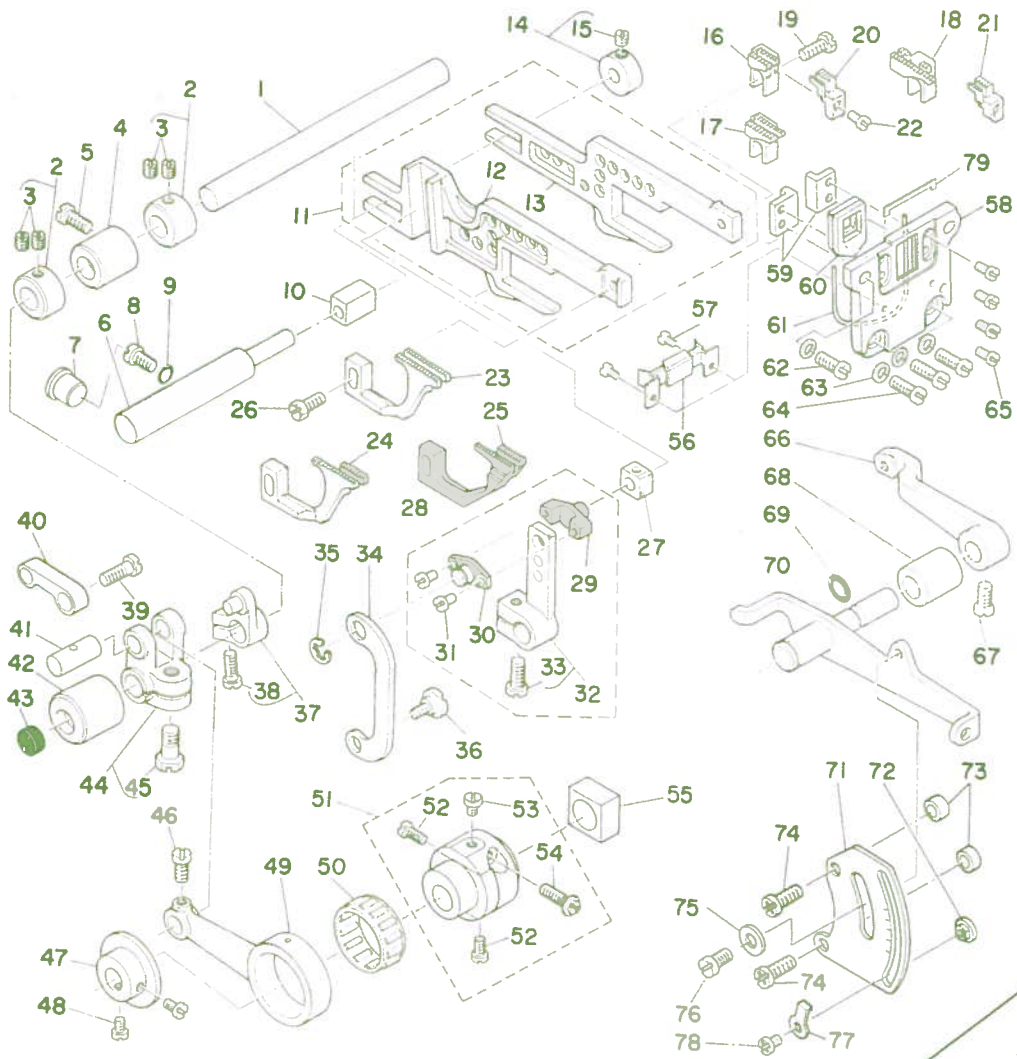
model **MO-2314-BD4**
Two-Needle, Overedging Industrial Sewing Machine

model **MO-2316-DD4**
Safety Stitch Industrial Sewing Machine

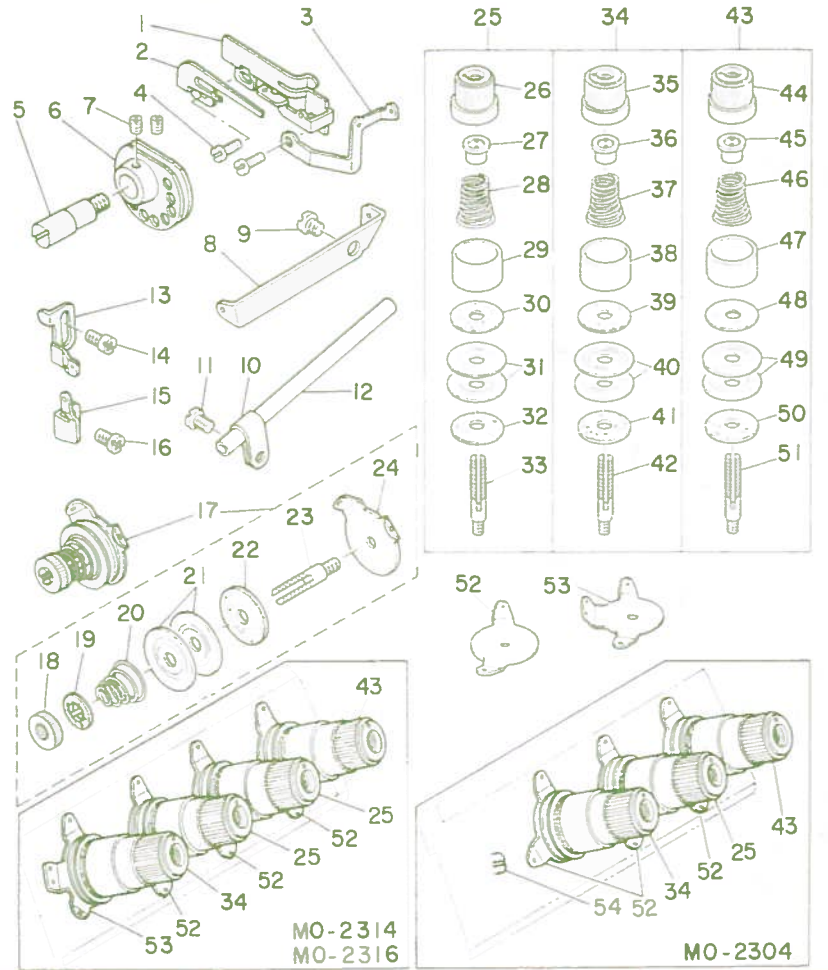
BE230430PJA



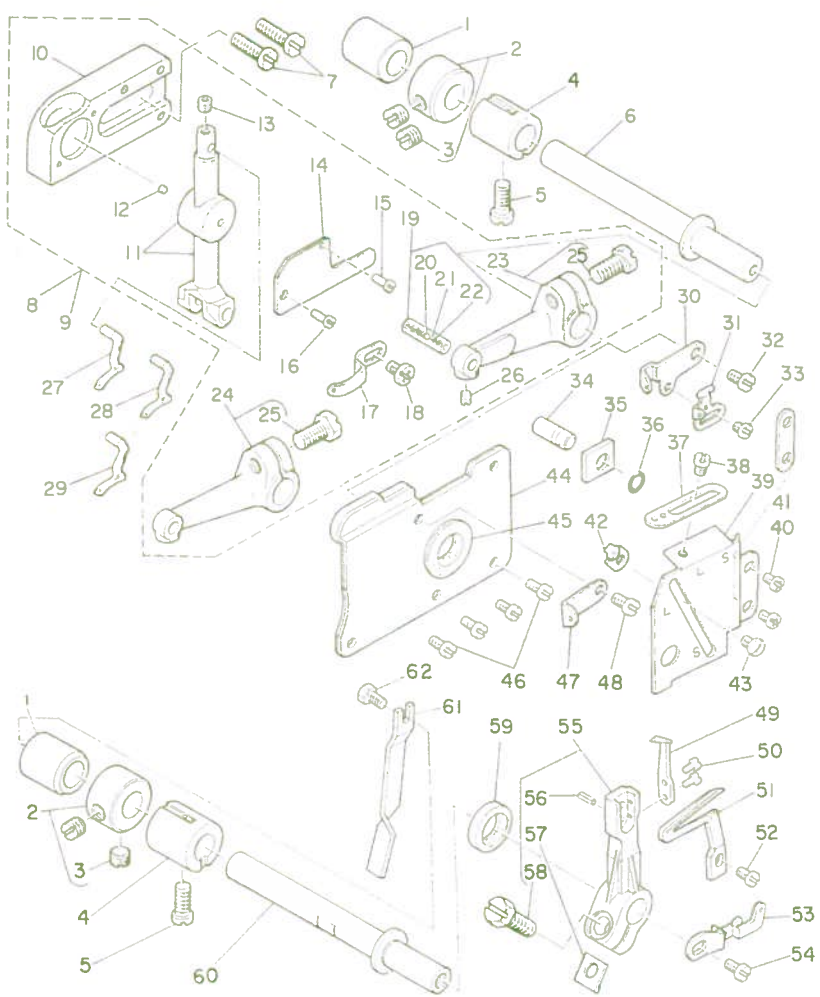
6. FEED MECHANISM COMPONENTS



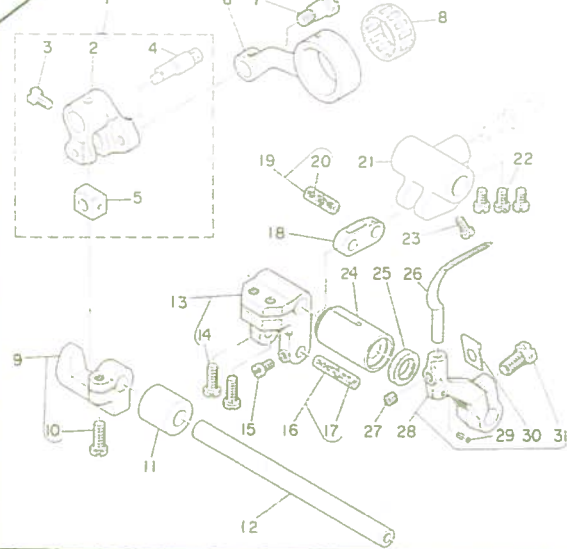
7. THREAD TENSION COMPONENTS



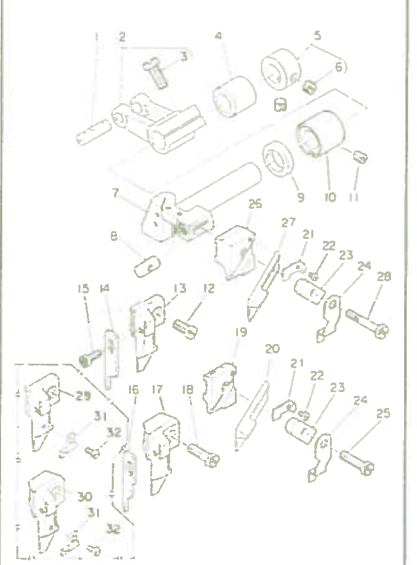
10. UPPER & LOWER LOOPER COMPONENTS



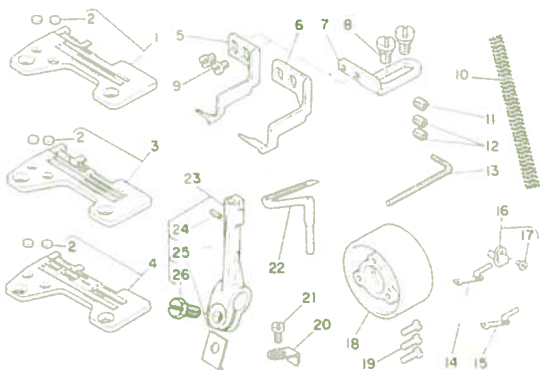
8. CHAIN LOOPER COMPONENTS (FOR MO-2316)



9. UPPER KNIFE COMPONENTS



12. SPECIAL ORDER PARTS COMPONENTS



Ref. No.	Usage
1 - 9	For overedge with adjustment Overedge width [MO-2304 2.7 ~ 6.4 mm] [MO-2314 2.7 ~ 4 mm] [MO-2316 2.7 ~ 6.4 mm]
10	For light-weight materials
11 ~ 13	For needle set
14 ~ 17, 20, 21	For adjustment type
18, 19	For synchronizer
22 ~ 26	For wide width

11. THREAD STAND COMPONENTS

