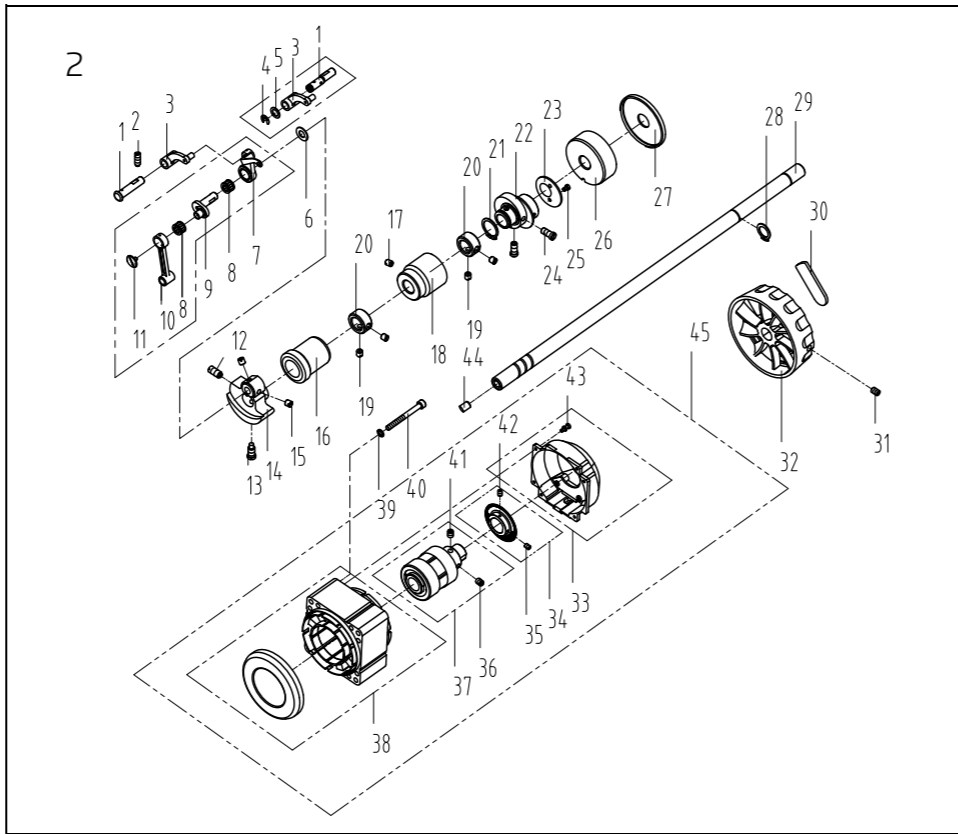


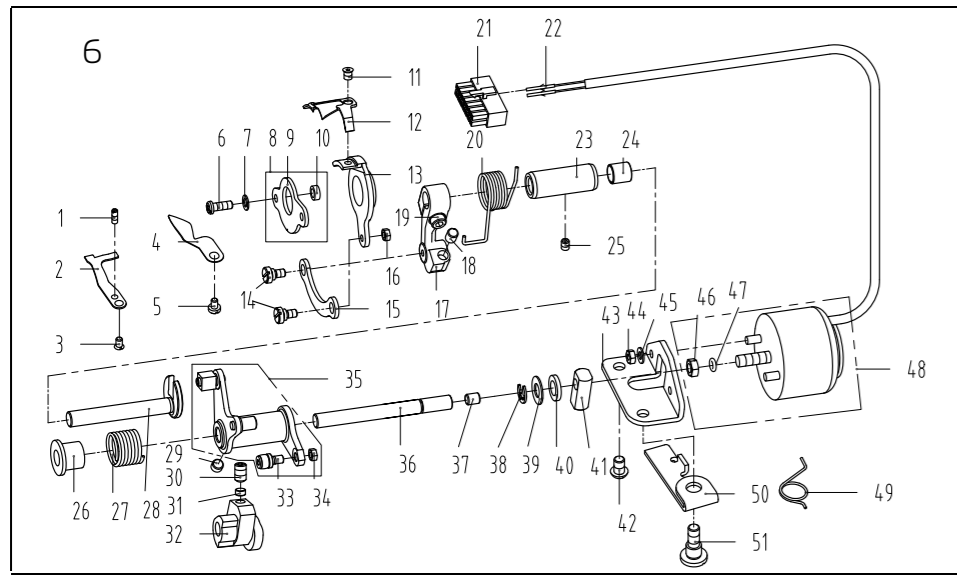
1. 机壳、外装分组件/Machine Frame & Miscellaneous Cover Components

序号NO.	公司件号	Part NO.	名称	PartName	零件描述	Description	数量	Number
1	10151001		后面板螺钉SM3/16*28 L=9	Screw SM3/16*28 L=9			3	3
2	10122003		面板调节孔螺塞	Rubber plug			2	2
3	13837002		商标牌	Head card			1	1
4	302591		面板(喷漆)	Face plate			1	1
5	13833005		左线钩	Thread guide left			1	1
6	10151007		右线钩螺钉SM1/6*4*40 L=6	Screw SM1/6*4*40 L=6			1	1
7	13822006		面板垫	Face plate gasket			1	1
8	10151027		防油板螺钉SM1/8*44 L=3.4	Screw SM1/8*44 L=3.4			1	1
9	10412007		面部防油板	Face oil shield asm.			1	1
10	10122002		面部防油板(厚料)	Face oil shield asm.			1	1
11	10122013		针杆上毡套	Rubber plug			1	1
12	10122005		针杆上衬套孔塞	Rubber plug			1	1
13	10122004		排线连杆销螺塞	Rubber plug			1	1
14	10151004		针杆曲柄螺塞	Rubber plug			1	1
15	13812018		排线杆护罩螺钉SM3/16*28 L=7	Screw SM3/16*28 L=7			1	1
16	10151004		排线杆护罩	Thread take-up lever cover			1	1
17	13512004		排线杆护罩螺钉SM3/16*28 L=7	Screw SM3/16*28 L=7			1	1
18	10122005		三孔线勾	3-hole thread guide			1	1
19	13812005		排线连杆螺塞	Rubber plug			1	1
20	14151015		剃线刀螺钉SM9/64*40 L=6	Screw SM9/64*40 L=6			2	2
21	10149001		剃线刀	Knife			1	1
22	10122002		油塞	Rubber plug			1	1
23	13822001		操作屏孔塞	Rubber plug			2	2
24	13822007		后面板垫	Side plate gasket			1	1
25	302592		后面板(喷漆)	Side plate			1	1
26	10151001		后面板螺钉SM3/16*28 L=9	Screw SM3/16*28 L=9			11	11
27	138103500		一体机电控壳组件(鲍麦克斯)	Electronic control box			1	1
28	W01009		GB/T97.1-1985垫圈5	Washer 5			2	2
29	14533001		机罩电机螺钉M5x20	Screw M5x20			3	3
30	14533002		螺钉(内六角)M5x25	Screw M5x25			1	1
31	13833042		一体机电控组件(鲍麦克斯)	Electronic control box			1	1
32	10122006		送料调节孔塞	Rubber plug			1	1
33	13850501		下轴工艺孔塞	Rubber plug			1	1
34	13833018		操作面板螺钉	Screw			2	2
35	13833041		一体机电控面板组件(瑞星)	Control panel,pxing			1	1
36	13833041		一体机电控面板组件(鲍麦克斯)	Control panel,Powermax			1	1
37	10151004		底板支柱	Machine head stud			4	4
38	13822002		装饰条	Decorative article			1	1
39	10151004		螺钉	Screw			2	2
40	1381300400		小夹线器组件	Thread tension asm.			1	1
41	138516019		小夹线螺母	Thread tension nut			1	1
42	1127001		小夹线弹簧	Thread tension spring			1	1
43	11212004		小夹线板	Thread tension disk			2	2
44	13810008		小夹线器螺母	Thread tension post			1	1
45	138508006		小夹线器固定螺钉SM3/16*28 L=7	Screw SM3/16*28 L=7			1	1
46	13812066		过线板	Thread tension guide plate			1	1
47	11222001		橡皮塞(双孔)	Rubber plug			1	1
48	10130004		石线钩	Thread guide right			1	1
49	10151007		右线钩螺钉SM1/6*4*40 L=6	Screw SM1/6*4*40 L=6			1	1
50	10126002		左线钩螺钉SM1/6*4*28 L=10.5	Screw SM1/6*4*28 L=10.5			1	1
51	10122014		松线钩	Tension release pin			1	1
52	10151005		实线架螺钉SM9/64*40 L=5.5	Screw SM9/64*40 L=5.5			1	1
53	10127001		排线簧	Thread take-up spring			1	1
54	10127031		排线簧(厚料)	Thread take-up spring			1	1
55	10103011		排线簧调节座	Thread tension base			1	1
56	10122005		实线板	tension disk			2	2
57	10122006		松线板	Disk stopper			1	1
58	10130002		实线螺钉	Thread tension post			1	1
59	10127002		实线弹簧	tension spring A			1	1
60	11427050		实线簧(厚料)	tension spring A			1	1
61	10120007		实线制动力	disk rotating stopper			1	1
62	138516013		实线螺母	Thread tension nut			1	1
63	1381300500		实线器组件	Thread tension asm.			1	1
64	1381300700		实线器组件(厚)	tension asm.			1	1
65	1381300700		电子实线器组件	Nut less e-device			1	1
66	5102009		回圈架固定螺钉M4x6	Screw M4x6			1	1
67	11413011		固定式导线圈	Thread guide			1	1
68	401516001		螺母SM9/64*40	Nut SM9/64*40			1	1
69	138510002		卷边器螺钉SM1/6*4*40 L=5.5	Screw SM1/6*4*40 L=5.5			1	1
70	13812019		卷边器座	Ruler stop seat			1	1
71	104517002		针板螺钉(进口)SM1/6*4*40	Screw SM1/6*4*40			2	2
72	11414006		定做专用针板(大钩大范围)	plate			1	1
73	11315001		针板(兄弟款)	Needle plate			1	1
74	1015002		推板	Slide plate			1	1
75	10127009		推板簧	Slide plate spring			1	1
76	10151019		推板簧螺钉SM3/32*56 L=2	Screw SM3/32*56 L=2			2	2
77	10128016		橡胶垫圈(薄)	Washer			1	1
78	13812007		卡簧	BuKle			1	1
79	504021		螺钉	Screw			1	1
80	1922015		橡皮塞	Rubber plug			1	1
81	13826009		罩壳(亚克力)	Pin			1	1
82	14011002		面板座(亚克力)	Panel seat			1	1



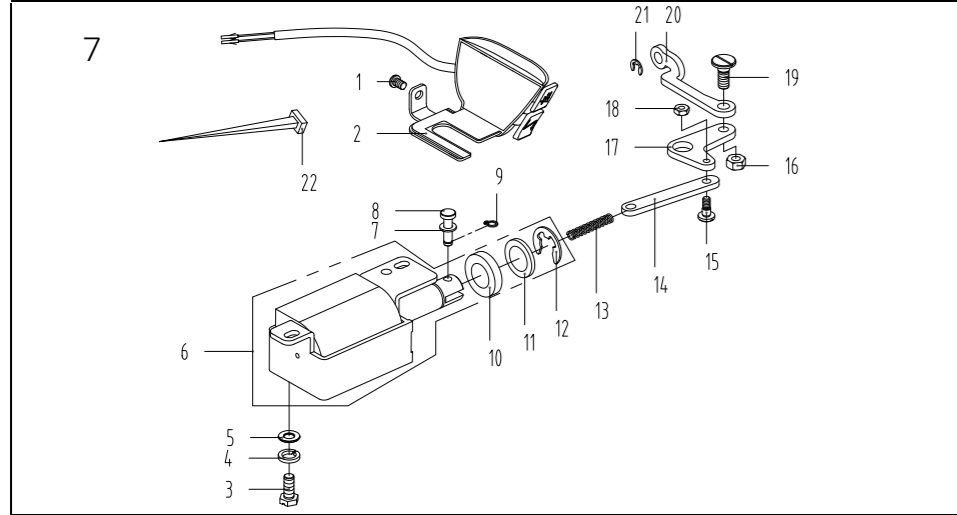
2. 上轴排线分组件/Main Shaft & Thread Take-up Components

序号NO.	公司件号	Part NO.	名称	PartName	零件描述	Description	数量	Number
1	10126001		排线连杆(厚料)	Thread take-up connecting rod pin			1	1
2	11326013		排线连杆	Thread take-up connecting rod pin			1	1
3	10105001		上轴螺钉 SM15/64*28 L=15	Screw SM15/64*28 L=15			1	1
4	402503		排线连杆(厚料)	Thread take-up connecting rod			1	1
5	11328010		CB/71896-1986挡圈	Snap ring			22	22
6	1012003		垫片	washer			1	1
7	1012003		针曲柄簧板	Needle bar crank protecting plate			1	1
8	1013800100		排线杆分组件	Thread take-up lever asm.			26	26
9	1133800200		排线杆分组件(厚料)	Thread take-up lever asm.			1	1
10	10124001		排线杆滚针轴承	Needle bearing			2	2
11	10130012		排线曲柄分组件	Thread take-up crank			29	29
12	101000400		排线曲柄分组件(厚料)	Thread take-up crank			1	1
13	10105002		针连杆	Needle bar connecting rod			1	1
14	101517001		排线曲柄螺钉(左旋)	Screw			1	1
15	101515004		针杆曲柄固定螺钉SM9/32*28 L=16	Screw SM9/32*28 L=16			1	1
16	10151003		针杆曲柄固定螺钉SM9/32*28 L=16	Screw SM9/32*28 L=16			1	1
17	10404001		针杆曲柄	Needle bar crank			1	1
18	11404035		针杆曲柄(厚料)	Needle bar crank			1	1
19	10130012		送料轴固定螺钉SM1/4*40 L=6	Screw SM1/4*40 L=6			2	2
20	1402300200		上轴前轴套组件	Main shaft bushing front			1	1
21	10151006		实线架螺钉SM15/64*28 L=7	Screw SM15/64*28 L=7			1	1
22	12203002		主轴中轴套	Main shaft bushing mid			1	1
23	10154001		上轴中套挡圈螺钉	Screw			4	4
24	10108001		上轴挡圈	Main shaft thrust collar			2	2
25	H03002		挡圈20	Snap ring 20			1	1
26	11310014		送料偏心轮	Feed eccentric cam			1	1
27	400006		送料偏心轮(厚料)	Feed eccentric cam			1	1
28	1012017		送料偏心轮盖板	Cooper eccentric cam			1	1
29	10151013		送料偏心轮螺钉SM1/4*40 L=13	Screw SM1/4*40 L=13			2	2
30	11351003		扩针片螺钉 SM9/64*40 L=5	Screw SM9/64*40 L=5			2	2
31	13803002		上轴后轴套	Oil seal			1	1
32	10122005		上轴后套油封	Oil seal			1	1
33	H03001		GB/T994.1-1986挡圈15	Snap ring 15			1	1
34	13802660		上轴	Main shaft			1	1
35	13810121		手柄胶条	Hand/heel leable			1	1
36	510009		螺钉	Screw			2	2
37	302830		手轮(喷漆)	Hand/wheel			1	1
38	1383300600		电机罩壳组件(配瑞星)	Motor cover asm,pxing			1	1
39	1383300700		电机罩壳组件(配鲍麦克斯)	Motor cover asm,Powermax			1	1
40	1383300500		电机罩壳组件(配瑞星)	Motor grating sensor asm			1	1
41	1383300900		电机罩壳组件(配鲍麦克斯)	Motor grating sensor asm			1	1
42	6B/777-2000		内六角平端紧定螺钉M3x4	Screw M3x4			1	1
43	6B/777-2000		内六角平端紧定螺钉M6x6	Screw M6x6			1	1
44	138330400		电机转子总成	Motor rotor			1	1
45	13833002		电机定子总成(配鲍麦克斯)	Motor stator,pxing			1	1
46	13833003		电机定子总成(配鲍麦克斯)	Motor stator,Powermax			1	1
47	6B/193-1987		弹簧5	Spring washer 5			4	4
48	6B/1701-2000		内六角圆头柱头螺钉M5x50 8.8级	Screw M5x50			4	4
49	6B/1778-2000		内六角圆头柱头螺钉M6x8	Screw M6x8			1	1
50	6B/1778-2000		内六角圆头柱头螺钉M3x4	Screw M3x4			1	1
51	6B/19074.8		一字槽小盘头螺钉组合件M3x8上	Screw			6	6
52	10120122		轴孔套	Rubber plug			1	1
53	13833050		ZB-MA4-25A光电伺服电机(鲍麦)	Motor,Powermax			1	1
54	13833051		ZB-MA4-25A光电伺服电机(瑞星)	Motor,pxing			1	1
55	10425004		上轴伞齿轮	Upper shaft bevel gear			1	1
56	10425003		轴套上伞齿轮	Upper small bevel gear asm			1	1
57	10425002		轴套下伞齿轮	Lower large bevel gear asm			1	1
58	10151014		针杆下衬套	Screw SM1/4*40 L=7			2	2
59	10425001		钩头驱动轴衬套	Hook drive shaft bevel gear			1	1
60	10151014		下轴伞齿轮	Screw SM1/4*40 L=7			2	2
61	10151014		齿轮螺钉SM1/4*40 L=7	Screw SM1/4*40 L=7			2	2
62	10151014		齿轮螺钉SM1/4*40 L=7	Screw SM1/4*40 L=7			2	2
63	10151014		齿轮螺钉SM1/4*40 L=7	Screw SM1/4*40 L=7			2	2
64	11351036		一字开槽紧定螺钉SM15/64*28 L=4.7	Screw SM15/64*28 L=4.7			1	1
65	10403020		竖轴上轴套	Upright shaft bushing upper			1	1
66	10102007		竖轴	Upright shaft			1	1
67	10403013		竖轴下轴套	Upright shaft bushing lower			1	1
68	10403019		钩头驱动轴衬套	Hook driving shaft bushing back			1	1
69	10108002		下轴挡圈	Hook driving shaft snap ring			1	1
70	11303021		下轴中套	Lower shaft middle bushing			1	1
71	11304003		下轴	Hook driving shaft			1	1
72	11303001		钩头驱动轴衬套	Hook driving shaft bushing front			1	1
73	10123009		下轴限位芯	Oil wick			1	1
74	10153005		下轴限位油封	Oil seal			1	1
75	11418007		曲柄架(中国)	Hook asm (China)			1	1
76	11418002		曲柄架(泰国)	Hook asm (China Desheng)			1	1
77	10119003		偏心	Bobbin			1	1
78	11218054		梳壳	Bobbin case asm.			1	1
79	10120126		旋梭定位钩	Finger positioner			1	1
80	1012032		旋梭定位钩(厚料)	Finger positioner			1	1
81	11651005		牙架曲柄螺钉 SM11/64*40 L=13	Screw SM11/64*40 L=13			1	1
82	10151012		下轴挡圈螺钉 SM11/64*40 L=4.8	Screw SM11/64*40 L=4.8				



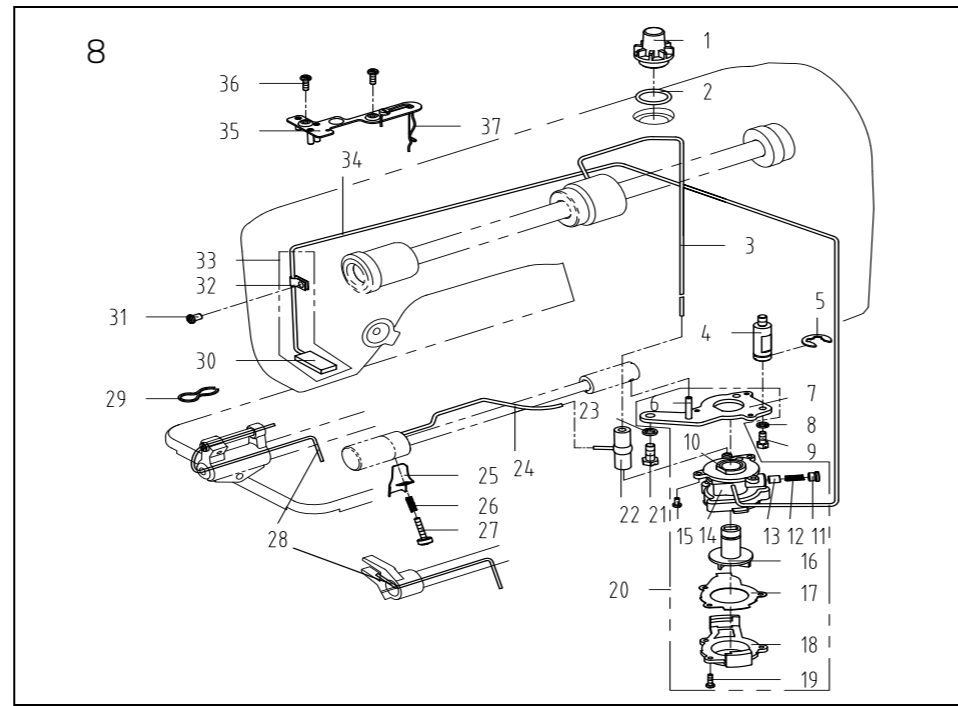
6. 切线装置部件/Thread Trimmer Components

序号NO.	公司件号	Part NO.	名称	PartName	零件描述	Description	数量	Number
1	11315002		定刀调节螺钉SM11/8"x44 L=9.5	Screw SM11/8"x44 L=9.5			1	1
2	11319001		定刀	Secant knife			1	1
3	11317001		螺钉SM9/64"x40	Screw SM9/64"x40			1	1
4	11312003		护针片	Needle guard patch			1	1
5	20151009		螺钉SM9/64"x40 L=5.5	Screw SM9/64"x40 L=5.5			1	1
6	11311001		螺钉SM11/64"x40 L=12	Screw SM11/64"x40 L=12			2	2
7	10128003		牙架油螺钉轴圈	Washer			2	2
8	11312004		刀架压板组件	Knife bracket press component			1	1
9	11312032		偏心连杆	Eccentric connecting rod			1	1
10	11303012		短套	Short bushing			2	2
11	11317002		活动刀固定螺钉SM11/64"x40 L=4.4	Screw SM11/64"x40 L=4.4			2	2
12	11319002		活动刀(薄料长槽)	Moterial knife			1	1
13	11319003		活动刀(厚料长槽)	Moterial knife			1	1
14	11307001		连杆刀架	Knife bracket			1	1
15	11312001		铰链螺钉SM11/64"x40	Hinge Screw SM11/64"x40			2	2
16	11312005		连杆	Connecting rod			1	1
17	11415004		螺母SM11/64"x40	Nut SM11/64"x40			1	1
18	11304001		曲柄	Crank			1	1
19	11322001		驱动曲柄止动块	Crank driver stopper block			1	1
20	11322002		螺钉M5x14	Screw M5x14			1	1
21	11322003		弹簧	Spring			1	1
22	11230004		14孔垫圈	Plug			1	1
23	11230005		电线插针	Pin			1	1
24	11303003		切线轴套	Thread cutting shaft bushing			1	1
25	11303005		驱动曲柄轴衬套	Crank drive shaft bushing			1	1
26	11314002		螺钉SM11/64"x40 L=5.5	Screw SM11/64"x40 L=5.5			1	1
27	11322002		扭簧盖	Spring cover			1	1
28	11317002		弹簧	Spring			1	1
29	11304002		切线凸轮曲柄轴	Crank shaft			1	1
30	116514003		针杆曲柄固定螺钉SM11/4"x40 L=4.5	Screw SM11/4"x40 L=4.5			1	1
31	116514005		螺钉SM11/4"x40 L=10	Screw SM11/4"x40 L=10			2	2
32	11309030		凸轮顶柱	Push rod			2	2
33	11310004		凸轮	Cam			1	1
34	11310001		凸轮(厚料)	Cam			1	1
35	11324001		滚柱	Rolling pin			1	1
36	11316002		螺母SM11/64"x40	Nut SM11/64"x40			1	1
37	1130400500		穿线驱动组件	Thread trimmer drive asm.			1	1
38	11320002		轴	Shaft			1	1
39	11322001		驱动曲柄止动块	Positioning block			1	1
40	H05013		GB/T896-1986挡圈	Spring ring			1	1
41	1012003		针杆曲柄护板	Counter weight protecting			1	1
42	11322003		电磁铁缓冲片	Solenoid cushion rubber			1	1
43	11309001		切线电磁铁顶销	Solenoid pin			1	1
44	10151026		油泵安装螺钉SM15/64"x28 L=9	Screw SM15/64"x28 L=9			1	1
45	11312006		切线磁铁支架	Solenoid bracket			1	1
46	N01001		螺母M4	Nut M4			2	2
47	W01013		GB/T971-1985垫圈4.5	Washer			2	2
48	112516006		螺母SM11/4"x40	Nut SM11/4"x40			1	1
49	001004		O型圈	Rubber ring			1	1
50	1133003300		穿线电磁铁组件	Thread trimmer solenoid asm.			1	1
51	11327003		弹簧	Spring			1	1
52	1132007		松线盘	Thread release bed			1	1
53	11320002		螺钉SM11/4"x28	Screw SM11/4"x28			1	1



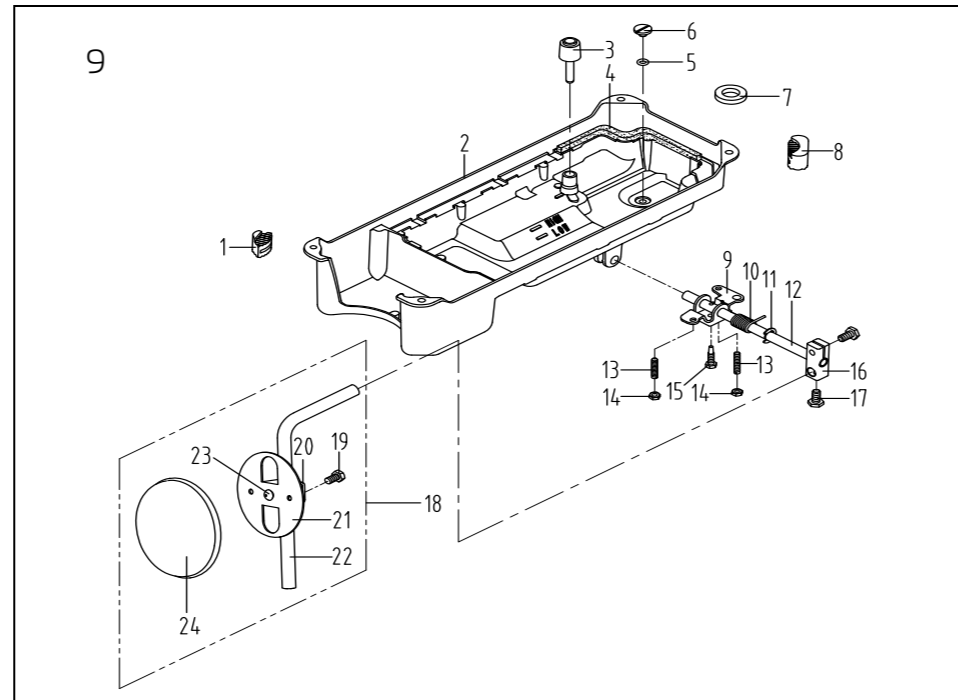
7. 自动倒送料开关组件/Automatic Reverse Feed Components

序号NO.	公司件号	Part NO.	名称	PartName	零件描述	Description	数量	Number
1	10151004		换线杆护罩螺钉SM3/16"x28 L=7	Screw SM3/16"x28 L=7			1	1
2	1133003700		双开关组件	Auto reverse feed switch asm			1	1
3	116530003		拾牙叉固定螺钉SM15/64"x28 L=14.5	Screw SM15/64"x28 L=14.5			2	2
4	W02004		GB/T193-1987弹垫M6	Washer M6			2	2
5	11628005		拾牙叉固定螺钉轴圈	Washer			2	2
6	1133003400		自动倒送料电磁铁	Auto reverse feed solenoid			1	1
7	W01009		轴套	Washer 5			1	1
8	11325004		销子	pin			1	1
9	H03042		挡圈	Snop ring 5			1	1
10	11322040		橡胶垫片	rubber plunger			1	1
11	11328031		垫片	Washer			1	1
12	H05014		GB/T896-1986开口挡圈	Snop ring			1	1
13	1127006		自动倒送料连杆弹簧	Plunger spring			1	1
14	11312009		自动倒送料连杆	Auto reverse feed connecting rod			1	1
15	112520002		曲柄轴螺钉SM11/64"x40	Hinge Screw SM11/64"x40			1	1
16	112516007		曲柄轴螺母SM11/4"x28	Nut SM11/4"x28			1	1
17	11204003		自动倒送料曲柄	Auto reverse feed crank			1	1
18	112516008		曲柄轴螺母SM11/64"x40	Nut SM11/64"x40			1	1
19	112520001		曲柄轴螺钉SM11/4"x28	Hinge Screw SM11/4"x28			1	1
20	11210209		自动倒送料拉杆	Auto reverse feed pull shaft			1	1
21	11329020		开口挡圈5	Snop ring 5			1	1
22	1121005		尼龙扎带	Cable band			4	4



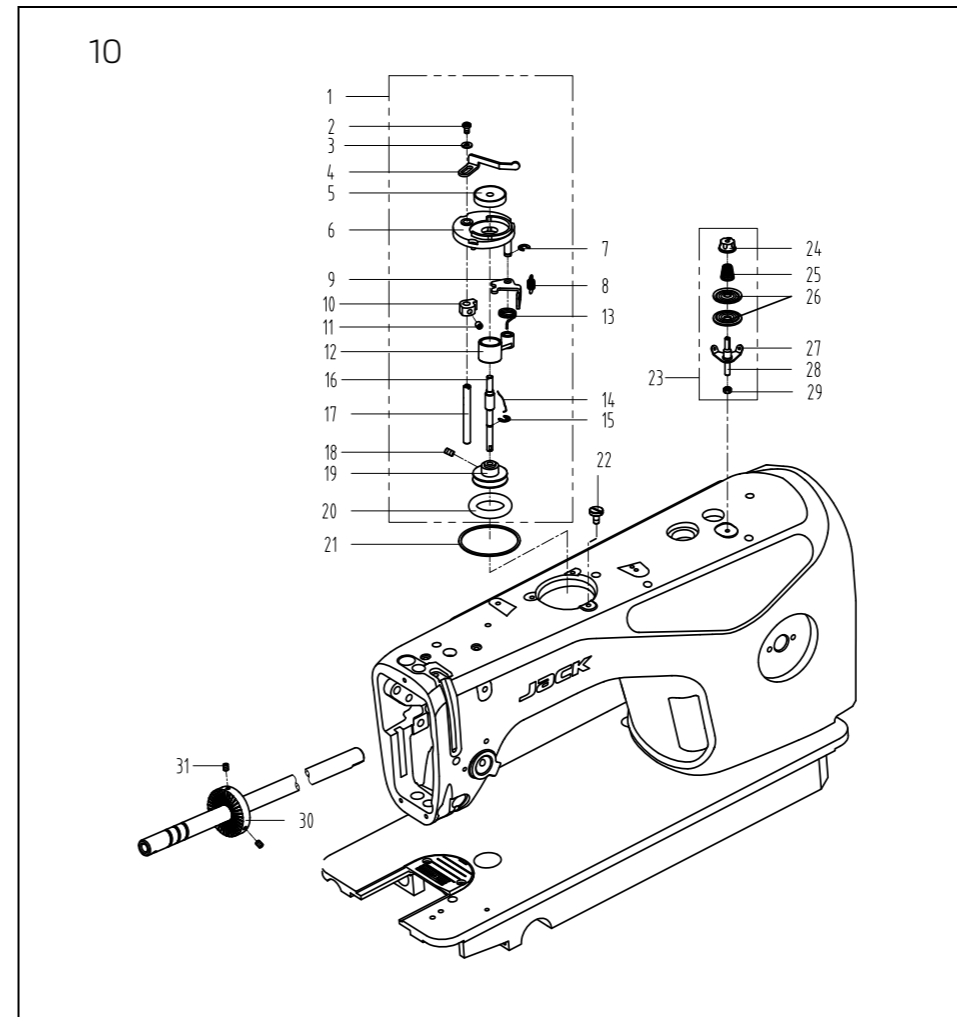
8. 润滑组件/Oil Lubrication Components

序号NO.	公司件号	Part NO.	名称	PartName	零件描述	Description	数量	Number
1	1121004		油窗	Oil sight window			1	1
2	10122019		油窗O形圈	Rubber ring			1	1
3	11321008		主轴供油管	Main shaft oil tube			1	1
4	112530005		油泵连接螺栓	Oil pump connecting stud			1	1
5	11329010		开口挡圈10	Snop ring 10			1	1
6	10121001		下轴供油管	Hook driving shaft oil tube			1	1
7	1012020		油泵安装板	Oil pump installing base			1	1
8	W03002		弹垫	Spring washer			1	1
9	20952001		压脚螺钉SM11/64 " x40 L=10.5	Screw SM11/64 " x40 L=10.5			1	1
10	10103022		油泵体衬套	Oil pump bushing			1	1
11	101530007		柱塞螺钉	Plunger Screw			1	1
12	10127013		柱塞簧	Plunger spring			1	1
13	10122018		回油柱塞	Plunger			1	1
14	10120001		油泵体	Oil pump			1	1
15	S04009		油泵螺钉	Screw			3	3
16	10111003		油泵叶轮	Oil pump impeller			1	1
17	1012021		油泵叶轮托板	Oil pump impeller cover			1	1
18	10111007		油泵盖	Lubricating oil pump cover			1	1
19	101530006		螺钉	Screw			3	3
20	101000100		油泵分部件	Lubricating oil pump component			1	1
21	116530003		拾牙叉固定螺钉SM15/64 " x28 L=14.5	Screw SM15/64 " x28 L=14.5			1	1
22	10136001		供油管接头	Rubber joint			1	1
23	W02004		GB/T 896-1986弹垫M6	Spring Washer M6			1	1
24	11321002		供油管	Hook oil tube			1	1
25	1132031		挡油罩	Oil shield cover			1	1
26	11327004		油窗调节螺钉	Spring			1	1
27	113330001		油窗调节螺钉	Screw			1	1
28	10423005		油毡	Oil wick			1	1
29	10127015		回油毡夹	Oil felt clamp			1	1
30	10123006		回油毡	Oil felt felt			1	1
31	10151004		换线杆护罩螺钉SM3/16"x28 L=7	Screw SM3/16"x28 L=7			1	1
32	1012023		回油毡夹	Oil tube clamp			1	1
33	10121007		回油管部件	Oil return tube component			1	1
34	10121008		回油管	Oil return tube			1	1
35	1012025		油线固定板	Oil wick fixing plate			1	1
36	10151010		压脚板螺钉SM9/64"x40 L=11	Screw SM9/64"x40 L=11			2	2
37	10123010		油线	Oil wick			1	1



9. 油盘、膝抬压脚分组件/Oil Ceservoir,Knee Lifter Components

序号NO.	公司件号	Part NO.	名称	PartName	零件描述	Description	数量	Number
1	10122022		油盘座垫	Oil reservoir rubber cushion			2	2
2	13801020		油盘	Oil Reservoir			1	1
3	10110005		膝抬脚顶杆	Knee lifter push rod			1	1
4	10122020		油盘垫	Oil Reservoir gasket			1	1
5	10122021		O形圈	Rubber ring			1	1
6	10151028		排油孔螺钉SM5/16"x24 L=7	Screw SM5/16"x24 L=7			1	1
7	10131001		油盘磁铁	Oil reservoir magnet			1	1
8	10122023		油盘支架	Oil reservoir rubber cushion			2	2
9	1012027		膝抬脚双向曲柄	Knee lifter crank			1	1
10	10127016		双向曲柄弹簧	Knee lifter spring			1	1
11	H05010		GB/T896-1986挡圈10	Snop ring 10			1	1
12	10102001		膝抬脚轴	Knee lifter shaft			1	1
13	10151012		双向曲柄限位调节螺钉M6 L=30	Screw M6 L=30			2	2
14	10151004		双向曲柄限位调节螺母M6 L=4	Nut M6 L=4			2	2
15	10151002		双向曲柄螺钉M6 L=26	Screw M6 L=26			1	1
16	10101008		膝抬脚限位杆	Beasing bracket			1	1
17	10151003		限位杆头螺钉M8 L=16	Screw M8 L=16			2	2
18	101202800		限位杆组件	Knee press plate asm			1	1
19	10151004		限位杆头螺钉M6 L=11	Screw M6 L=11			1	1
20	1012030		限位杆头	Knee press plate holder			1	1
21	1012029		限位板	Knee press plate			1	1
22	1012028		限位杆	Knee lifter plate rod			1	1
23	10122025		限位杆垫	Rubber			1	1
24	10122024		限位板胶垫	Knee press plate cover			1	1



10. 绕线器组件/ Bobbin Components

序号NO.	公司件号	Part NO.	名称	PartName	零件描述	Description	数量	Number
1	1133103900		绕线器组件	Bobbin winder asm.			1	1
2	11451008		螺钉M4x6	Screw M4x6			1	1
3	GB/T971		垫圈4	Washer			1	1
4	10113030		压线控制板	Thread press control plate			1	1
5	1011120		绕线衬垫	Winding pad			1	1
6	11331101		绕线器装置底座	Bobbin winder bed			1	1
7	GB/T 896-1986		开口挡圈5	Snop ring			1	1
8	10127061		限位板簧	Spring			1	1
9	11312110		调节板	Regulating plate			1	1
10	10110030		绕线凸轮	Bobbin winder cam			1	1
11	S09042		螺钉	Screw			1	1
12	11380510500		绕线器连杆组件	Bobbin winder connecting rod			1	1
13	11382703		绕线器位置	Spring			1	1
14	10127060		弹簧	Spring			1	1
15	GB/T 896-1986		开口挡圈4	Snop ring			1	1
16	11380211		绕线器主轴	Bobbin winder main shaft			1	1
17	113802026		绕线器凸轮轴	Bobbin winder cam shaft			1	1
18	S09103		绕线器螺钉	Screw			2	2
19	11331102		绕线器	Bobbin winder wheel			1	1
20	00110		O型圈	Ring			1	1
21	11422062		密封垫	Washer			1	1
22	114511003		螺钉SM3/16"x28 L=10	Screw SM3/16"x28 L=10			3	3
23	1131300600		磁线圈夹器	Bobbin thread tension asm.			1	1
24	11311004		夹线螺母	Thread tension nut			1	1
25	11427006		小夹线弹簧	Spring			1	1