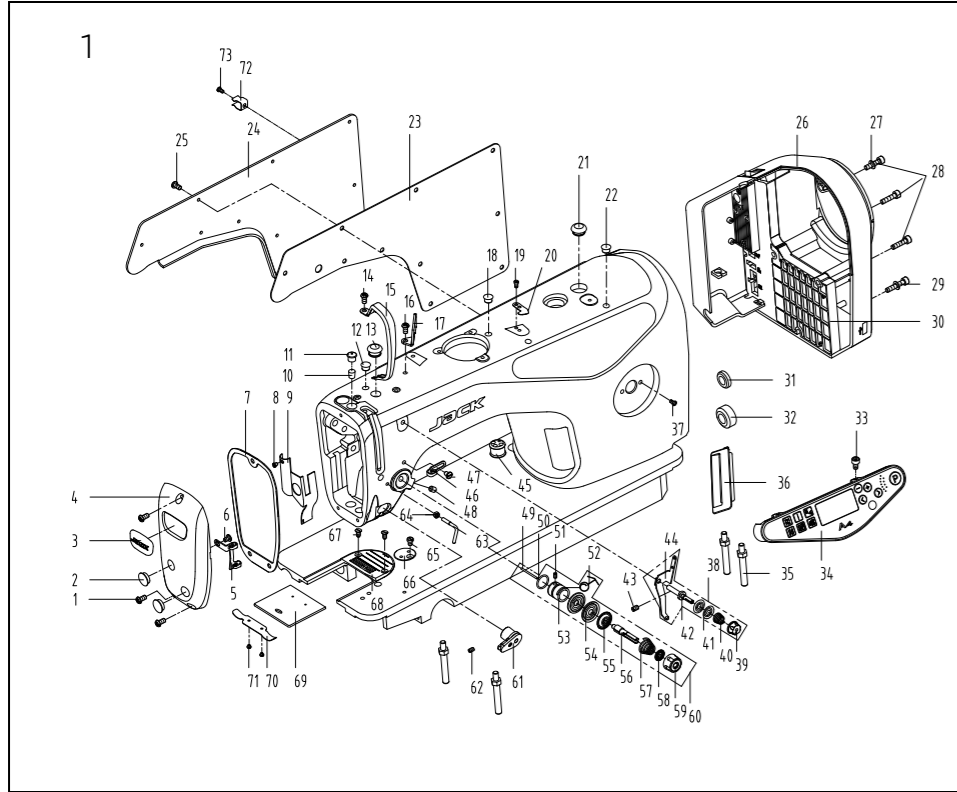


A4系列 A4 Series

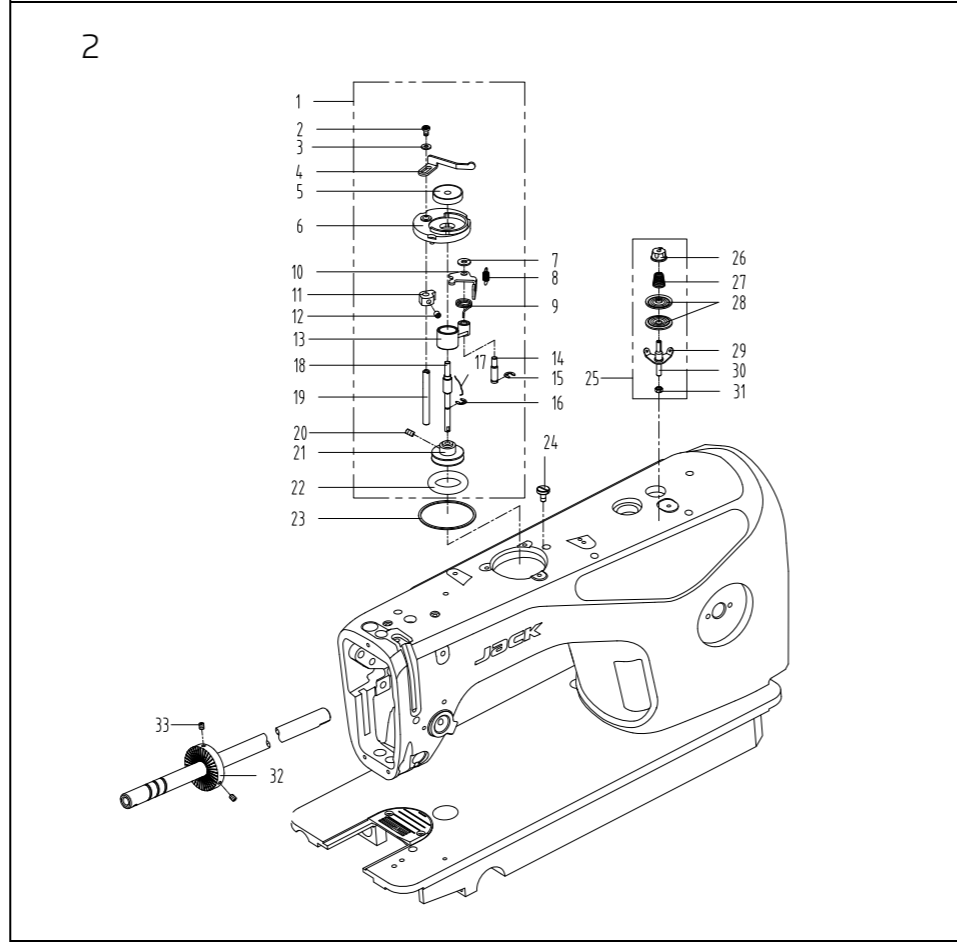


1. 机壳、外装组件/Machine Frame & Miscellaneous Cover Components

序号NO.	公司件号	Part NO.	名称	PartName	零件描述	Description	数量	Number
1	10151001		后面板螺钉SM3/16"x28 L=9	Screw SM3/16"x28 L=9		3	3	
2	10122003		面板调节孔塞	Rubber plug		2	2	
3	13837002		商标牌	Head card		1	1	
4	302591		面板 (喷漆)	Face plate asm		1	1	
5	13813005		左线钩	Thread guide left		1	1	
6	10151007		右线钩螺钉SM11/64"x40 L=6	Screw SM11/64"x40 L=6		1	1	
7	13822006		面板板	Face plate gasket		1	1	
8	10151027		防油板螺钉SM11/8"x44 L=3.4	Screw SM11/8"x44 L=3.4		1	1	
9	10122007		面部防油板	Face oil shield asm.		1	1	
10	11422062		面部防油板 (厚料)	Face oil shield asm.		1	1	
11	10123002		针杆上衬套	Rubber plug		1	1	
12	10122003		针杆上衬套孔塞	Rubber plug		1	1	
13	10122005		排线连杆销螺孔塞	Rubber plug		1	1	
14	10122004		针杆吊钩螺孔塞	Rubber plug		1	1	
15	10151004		排线杆护罩螺钉SM3/16"x28 L=7	Screw SM3/16"x28 L=7		1	1	
16	13812018		排线杆护罩罩	Thread take-up lever cover		1	1	
17	10151004		排线杆护罩螺钉SM3/16"x28 L=7	Screw SM3/16"x28 L=7		1	1	
18	13512004		三孔线钩	3-hole thread guide		1	1	
19	10122005		排线连杆销螺孔塞	Rubber plug		1	1	
20	11451015		割线刀螺钉SM9/64"x40 L=6	Screw SM9/64"x40 L=6		2	2	
21	1149001		割线刀	Knife		1	1	
22	20722002		油塞	Rubber plug		1	1	
23	13822001		操作屏孔塞	Rubber plug		2	2	
24	13822007		后面板板	Side plate gasket		1	1	
25	302592		后面板 (喷漆)	Side plate		1	1	
26	10151001		后面板螺钉SM3/16"x28 L=9	Screw SM3/16"x28 L=9		11	11	
27	138100300		一体机电控罩组件 (帕克斯)	Electronic control box		1	1	
28	1010009		一体机电控罩组件 (帕克斯)	Electronic control box		2	2	
29	11451001		K-音源电机螺钉Mx20	Screw Mx20		3	3	
30	114530001		螺母(内六角)Mx25	Screw Mx25		1	1	
31	13833010		一体机电控罩组件 (帕克斯)	Electronic control box		1	1	
32	13833013		一体机电控罩组件 (帕克斯)	Electronic control box		1	1	
33	10122006		送料调节器孔塞	Rubber plug		1	1	
34	10122007		下轴工艺孔塞	Rubber plug		1	1	
35	138505001		操作面板按钮	Control panel button		2	2	
36	13813012		一体机电控罩按钮组件 (帕克斯)	Control panel covermax		1	1	
37	10151001		机器头罩	Machine head stud		4	4	
38	13822002		装饰条	Decorative article		1	1	
39	10151004		螺钉	Screw		2	2	
40	1381300400		小尖线器组件	Thread tension asm.		1	1	
41	138516019		小尖线器螺母	Thread tension nut		1	1	
42	11272001		小尖线弹簧	Thread tension spring		1	1	
43	11262004		小尖线板	Thread tension disk		2	2	
44	13810008		小尖线器螺母	Thread tension post		1	1	
45	138508006		小尖线器固定螺钉SM3/16"x28 L=7	Screw SM3/16"x28 L=7		1	1	
46	13812666		过线板	Thread tension guide plate		1	1	
47	11322016		橡皮套(四孔)	Rubber plug		1	1	
48	1013004		右线钩	Thread guide right		1	1	
49	10151007		右线钩螺钉SM11/64"x40 L=6	Screw SM11/64"x40 L=6		1	1	
50	10151010		左线钩螺钉SM15/64"x28 L=10.5	Screw SM15/64"x28 L=10.5		1	1	
51	11326012		松线钩	Tension release pin		1	1	
52	10122014		排线调节器O型圈	Rubber ring		1	1	
53	10151005		夹线器固定螺钉SM9/64"x40 L=5.5	Screw SM9/64"x40 L=5.5		1	1	
54	10127001		排线簧	Thread take-up spring		1	1	
55	10130311		排线簧调节座	Thread tension base		1	1	
56	1012005		夹线板	Thread tension disk		2	2	
57	1012006		松线板	Disk stopper		1	1	
58	10130002		夹线螺钉	Thread tension post		1	1	
59	10127002		夹线弹簧	Thread tension spring A		1	1	
60	1012007		夹线板	Thread disk rotating stopper		1	1	
61	138516013		夹线螺母	Thread tension nut		1	1	
62	138100250		夹线器组件	Thread tension asm.		1	1	
63	1381300700		夹线器组件 (厚)	Thread tension asm.		1	1	
64	1383002700		电子夹线器组件	Nest less e-device		1	1	
65	510008		回源紧定螺钉M4X6	Screw M4X6		1	1	
66	114301		固定式螺线钩	Thread guide		1	1	
67	401516001		螺母SM9/64"x40	Nut SM9/64"x40		1	1	
68	13851002		卷边器螺钉SM11/64"x40 L=5.5	Screw SM11/64"x40 L=5.5		1	1	
69	13812019		卷边器座	Ruler stop seat		1	1	
70	104517002		针板螺钉(进口) SM11/64"x40	Screw SM11/64"x40		2	2	
71	1143005		固定专用衬板(大缝切范围)	Needle plate		1	1	
72	1135001		衬板(兄弟款)	Needle plate		1	1	
73	1015002		衬板	Slide plate		1	1	
74	10127009		衬板簧	Slide plate spring		1	1	
75	10151019		衬板簧螺钉SM3/32"x56 L=2	Screw SM3/32"x56 L=2		2	2	
76	13812007		卡簧	Buckle		1	1	
77	504021		螺钉	Screw		1	1	

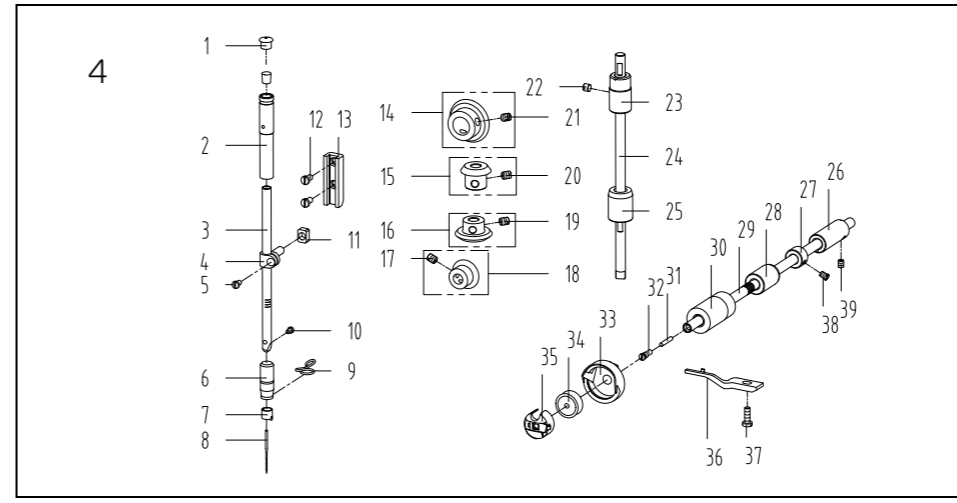
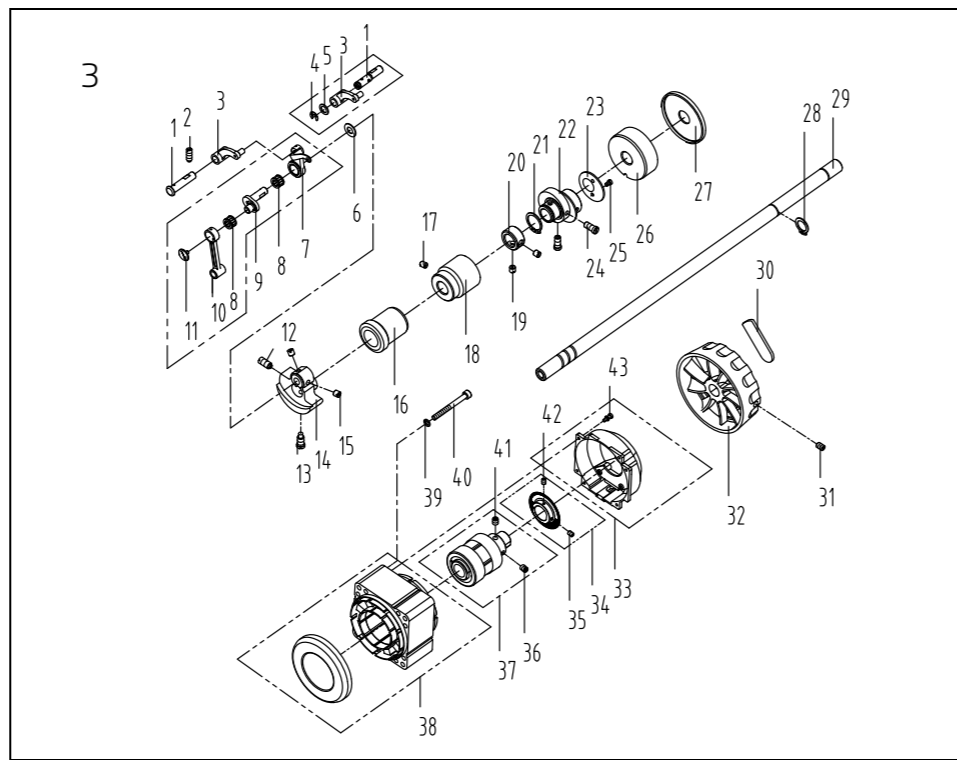
零件手册

Parts Manual



2. 绕线器组件/ Bobbin Components

序号NO.	公司件号	Part NO.	名称	PartName	零件描述	Description	数量	Number
1	1383303800		绕线器组件	Bobbin winder asm.		1	1	
2	11451008		螺钉M4x6	Screw M4x6		1	1	
3	11428009		平垫圈4x9x1	Washer 4x9x1		1	1	
4	1143012		压线控制板	Thread press control plate		1	1	
5	11410003		绕线衬垫	Washer		1	1	
6	1143002		绕线器装置主座	Bobbin winder bed		1	1	
7	11428010		平垫圈5.1x2x1.2	Washer 5.1x2x1.2		1	1	
8	11427036		弹簧	Spring		1	1	
9	11427037		绕线器复位位置	Reset spring		1	1	
10	11401058		调节板	Regulating plate		1	1	
11	11410003		绕线器绕线器	Bobbin winder cam		1	1	
12	509042		螺钉	Screw		1	1	
13	11405022		绕线器连杆	Bobbin winder connecting rod		1	1	
14	114531001		螺钉销	Pin		1	1	
15	H03016		GB/T 8941-1986挡圈5	Snap ring		1	1	
16	H05006		GB/T 896-1986挡圈5	Snap ring		1	1	
17	11427038		弹簧	Spring		1	1	
18	13802043		绕线器主轴	Bobbin winder cam shaft		1	1	
19	13810002		绕线器轴套	Bobbin winder mian shaft		1	1	
20	509102		GB/T 27 螺钉M4x5	Screw M4x5		2	2	
21	11431050		绕线器轮	Bobbin winder wheel		1	1	
22	010133		O型圈	Ring		1	1	
23	11422062		密封垫	Washer		1	1	
24	11451003		螺钉SM3/16"x28 L=10	Screw SM3/16"x28 L=10		3	3	
25	138100600		底线夹线器	Bobbin thread tension asm.		1	1	
26	13810004		夹线螺母	Thread tension nut		1	1	
27	11427006		小尖线弹簧	Spring		1	1	
28	1012005		夹线板	Thread tension disk		2	2	
29	1143012		夹线器固定板	Thread tension guide plate		1	1	
30	112513004		夹线螺钉	Screw		1	1	
31	114516001		螺母SM11/64"x40	Nut SM11/64"x40		1	1	
32	11435013		绕线器驱动轮	Driving wheel		1	1	
33	510009		螺钉M6x8	Screw M6x8		2	2	

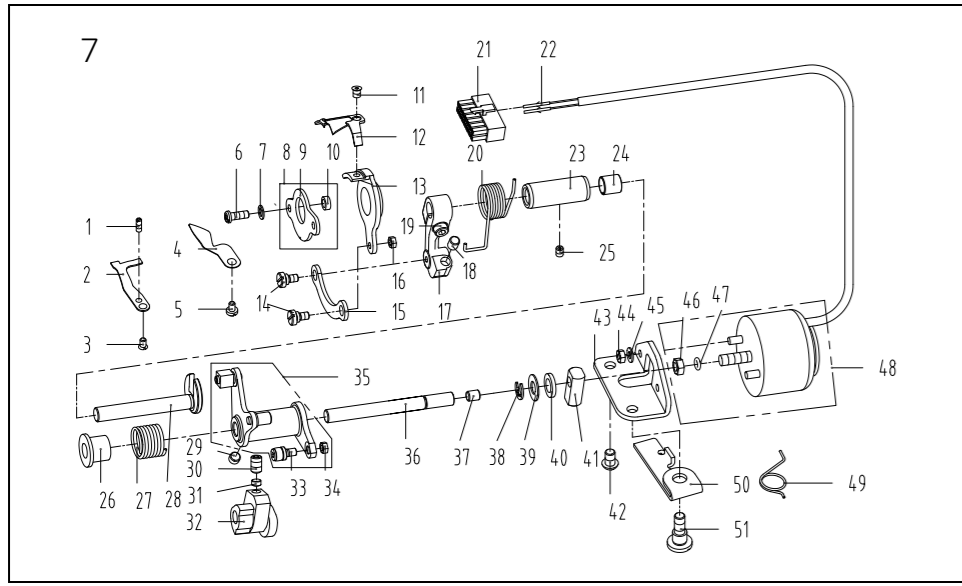


4. 针杆、竖轴、下轴部件/Needle bar,Upright Shaft & Hook Driving Shaft Components

序号NO.	公司件号	Part NO.	名称	PartName	零件描述	Description	数量	Number
1	10122013		针杆上衬套孔塞	Rubber plug		1	1	
2	10103009		针杆上衬套	Needle bar bushing upper		1	1	
3	11402039		针杆	Needle bar		1	1	
4	10102021		针杆 (厚料)	Needle bar		1	1	
5	10138002		针杆连接杆	Needle bar connecting rod		1	1	
6	10103010		螺钉 SM9/64"x40 L=6	Screw SM9/64"x40 L=6		1	1	
7	11303023		针杆下衬套	Needle bar bushing lower		1	1	
8	10130002		针杆线钩	Needle bar thread guide		1	1	
9	11412063		针杆线钩 (厚料)	Needle bar thread guide		1	1	
10	1017001		机针 (14#)	Needle		1	1	
11	1017002		机针DP-5#21 (厚料)	Needle		1	1	
12	1043001		针杆下衬套线钩	Lower bushing thread guide		1	1	
13	1013009		针杆下衬套线钩 (厚料)	Lower bushing thread guide		1	1	
14	10451006		螺钉SM11/8"x44 L=4.5	Screw SM11/8"x44 L=4.5		1	1	
15	10109001		针杆连接柱滑块	Slide block		1	1	
16	10151008		滑块导轨螺钉SM11/64"x40 L=8	Screw SM11/64"x40 L=8		2	2	
17	10109002		针杆头滑块导轨	Needle bar guide		1	1	
18	10425004		上轴伞齿轮	Upper shaft bevel gear		1	1	
19	10425003		上轴小伞齿轮	Upper small bevel gear asm		1	1	
20	10425002		上轴大伞齿轮	Lower large bevel gear asm		1	1	
21	10151004		钩驱动轴螺钉SM11/4"x40 L=7	Screw SM11/4"x40 L=7		2	2	
22	10425001		钩驱动轴伞齿轮	Hook drive shaft bevel gear		1	1	
23	10151014		齿轮螺钉SM11/4"x40 L=7	Screw SM11/4"x40 L=7		2	2	
24	10151014		齿轮螺钉SM11/4"x40 L=7	Screw SM11/4"x40 L=7		2	2	
25	10151014		齿轮螺钉SM11/4"x40 L=7	Screw SM11/4"x40 L=7		2	2	
26	11351036		一字开槽紧定螺钉SM5/64"x28 L=4.7	Screw SM5/64"x28 L=4.7		1	1	
27	10403020		竖轴上轴套	Upright shaft bushing upper		1	1	
28	10102007		竖轴	Upright shaft		1	1	
29	10403013		竖轴下轴套	Upright shaft bushing lower		1	1	
30	10102009		钩驱动轴衬套	Hook driving shaft bushing back		1	1	
31	10102002		钩驱动轴衬套	Hook driving shaft snap ring		1	1	
32	11303021		下轴衬套	Lower shaft middle bushing		1	1	
33	10104003		下轴	Hook driving shaft		1	1	
34	11303001		下轴前轴套	Hook driving shaft bushing front		1	1	
35	10123009		下轴限油芯	Oil wick		1	1	
36	101530005		下轴限油螺钉	set screw		1	1	
37	11418003		广潮中厚料旋梭(大缝切范围)	Hook asm (Hirose)		1	1	
38	11418007		精工旋梭(国产)	Hook asm (China)		1	1	
39	11418004		精工旋梭(厚料旋梭(方便款))	Hook asm (China Desheng)		1	1	
40	11418004		精工旋梭(厚料旋梭(有尾齿))	Hook asm (Hirose)		1	1	
41	1018003		梭心	Bobbin		1	1	
42	11418504		梭壳	Bobbin case asm.		1	1	
43	1012016		旋梭定位钩	Finger positioner		1	1	
44	1012032		旋梭定位钩 (厚料)	Finger positioner		1	1	
45	11651005		牙架吊钩螺钉 SM11/64"x40 L=13	Screw SM11/64"x40 L=13		1	1	
46	10151012		下轴后轴套螺钉 SM11/64"x40 L=4.8	Screw SM11/64"x40 L=4.8		2	2	
47	113514020		下轴后轴套螺钉 SM11/64"x40 L=6	Screw SM11/64"x40 L=6		1	1	

3. 上轴抽线组件/Main Shaft & Thread Take-up Components

序号NO.	公司件号	Part NO.	名称	PartName	零件描述	Description	数量	Number
1	10126001		排线连杆销 (厚料)	Thread take-up connecting rod pin		1	1	
2	11326013		排线连杆销	Thread take-up connecting rod pin		1	1	
3	10151001		上轴螺钉 SM15/64"x28 L=15	Screw SM15/64"x28 L=15		1	1	
4	10151001		排线抽线杆 (厚料)	Thread take-up connecting rod		1	1	
5	11305010		排线抽线杆	Thread take-up connecting rod		1	1	
6	H05013		GB/T896-1986挡圈	Snap ring		1	1	
7	11328010		垫片	washer		1	1	
8	1012003		针杆曲柄护板	Needle bar crank protecting plate		1	1	
9	1013800100		排线杆分组件	Thread take-up lever asm.		1	1	
10	138100200		排线杆分组件 (厚料)	Thread take-up lever asm.		2	2	
11</								



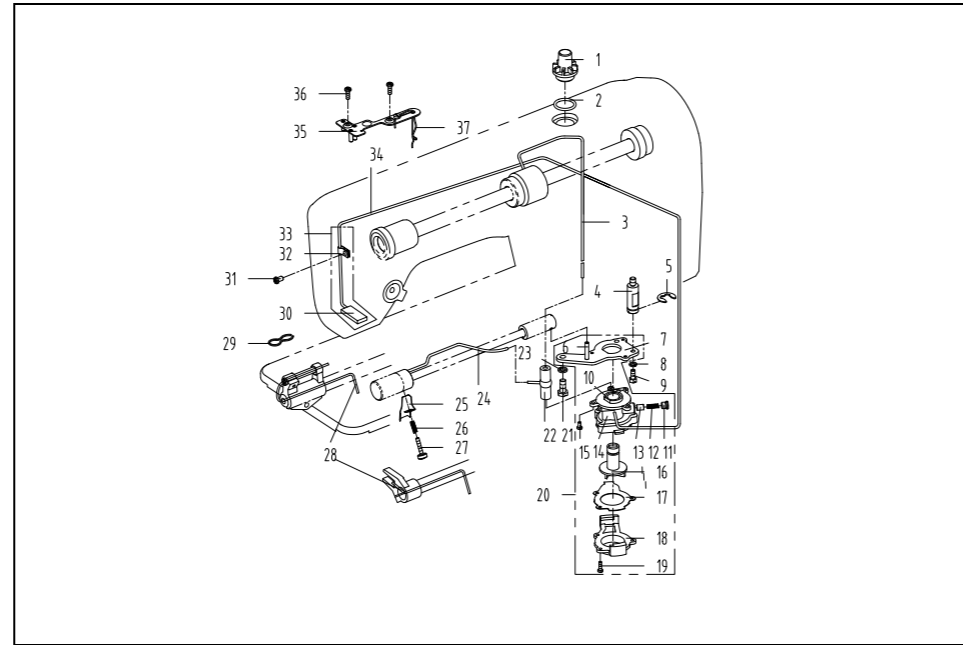
7. 切线装置部件/Thread Trimmer Components

序号NO.	公司件号	Part NO.	名称	PartName	零件描述	Description	数量	Number
1	113515002		压刀调节螺钉SM1/8"x4 L=9.5	Screw SM1/8"x4 L=9.5			1	1
2	11319001		压刀	Secant knife			1	1
3	113517001		螺钉SM9/64"x40	Screw SM9/64"x40			1	1
4	11321003		护针片	Needle guard patch			1	1
5	201511009		螺钉SM9/64"x40 L=5.5	Screw SM9/64"x40 L=5.5			1	1
6	113511001		螺钉SM11/64"x40 L=12	Screw SM11/64"x40 L=12			2	2
7	10128003		牙架座螺钉垫圈	Washer			2	2
8	11312004		刀架压板组件	Knife bracket press component			1	1
9	11321032		偏心连接杆	Eccentric connecting rod			1	1
10	11321032		短轴衬套	Short bushing			2	2
11	113517002		活动刀固定螺钉SM11/64"x40 L=4.4	Screw SM11/64"x40 L=4.4			2	2
12	11319002		活动刀(厚料长槽)	Moterial knife			1	1
13	11319003		活动刀(薄料长槽)	Moterial knife			1	1
14	11319001		剪线刀架	Knife bracket			1	1
15	11322001		连杆螺钉SM11/64"x40	hinge Screw SM11/64"x40			2	2
16	11312005		连杆	Connecting rod			2	2
17	114516004		螺母SM11/64"x40	Nut SM11/64"x40			1	1
18	11314003		凸轮	Cam			1	1
19	11322001		驱动曲柄止动块	Crank driver stopper block			1	1
20	5052004		螺钉M5x4	Screw M5x4			1	1

6. 送料分组件/Feed Mechanism Components

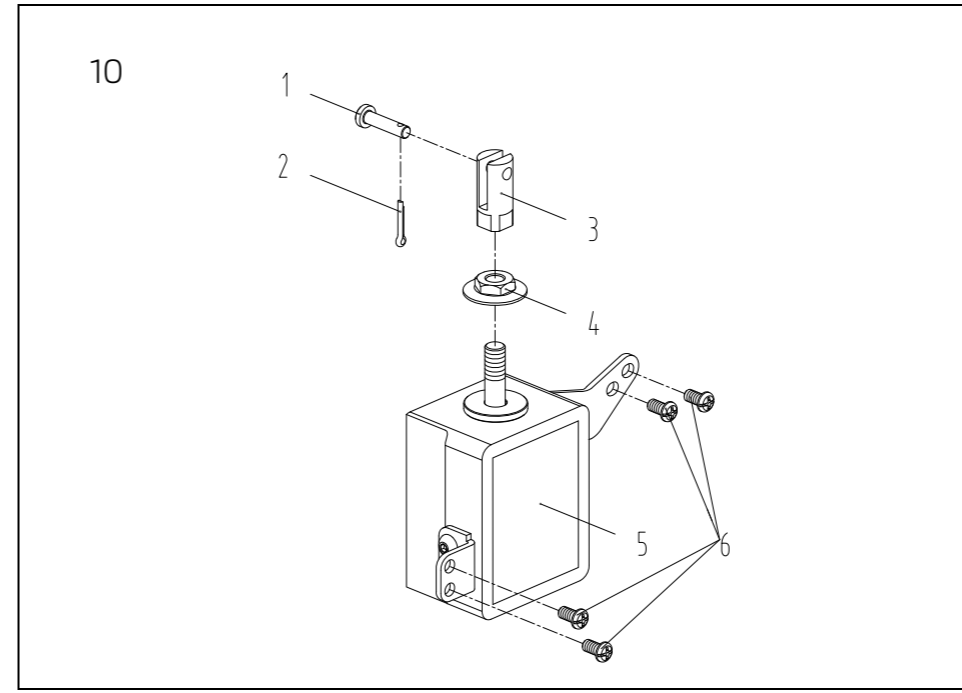
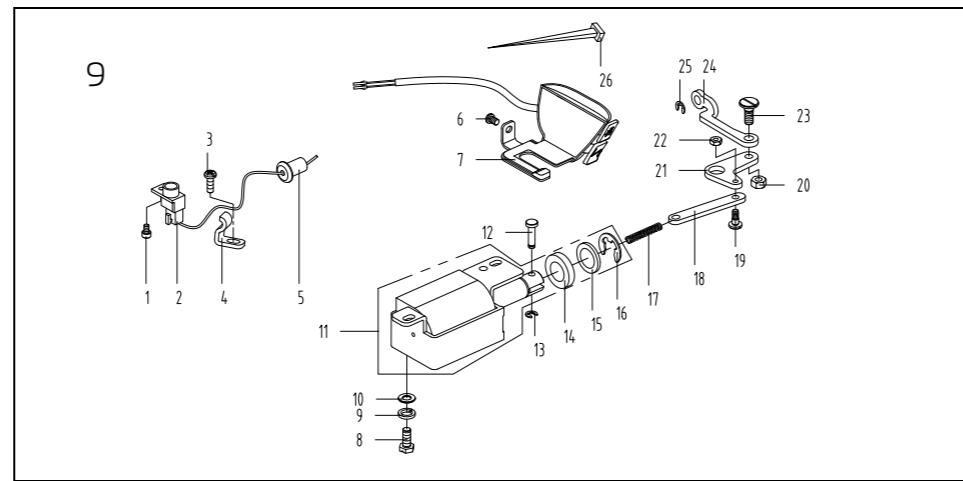
序号NO.	公司件号	Part NO.	名称	PartName	零件描述	Description	数量	Number
1	11405015		倒送料连杆	Reverse feed connecting rod			1	1
2	11426021		倒送料连杆销	Connecting rod pin			1	1
3	10151005		螺钉 SM9/64"x40 L=6	Screw SM9/64"x40 L=6			6	6
4	11401015		送料调节器	Feed regulator			1	1
5	11403043		送料调节器轴套	Feed regulator bushing			1	1
6	10151023		送料调节器轴端螺母SM3/16"x28 L=6.5	Screw SM3/16"x28 L=6.5			1	1
7	13826005		标盘螺钉	Feed regulator stud			1	1
8	10122016		送料调节器O形圈	Rubber ring			1	1
9	13811008		固定表盘	Fixing dial plate			1	1
10	11405018		GB/T1986-1986挡圈3.5	Snap ring 3.5			2	2
11	13811009		标盘旋扭	Dial plate button			1	1
12	13827002		按钮复位位置	Spring			1	1
13	13812010		上限位片	Upper limit patch			1	1
14	1381100700		标盘旋扭组件	Knob component			1	1
15	10151022		送料能旋扭螺钉SM3/16"x28 L=18	Screw SM3/16"x28 L=18			1	1
16	10126011		送料曲柄销	Feed rocker crank pin			1	1
17	101520005		抬牙连杆轴位螺钉 SM9/32"x28	hinge Screw SM9/32"x28			1	1
18	10140402		送料曲柄	Feed rocker shaft crank			1	1
19	10151016		送料曲柄螺钉SM3/16"x28 L=14	Screw SM3/16"x28 L=14			1	1
20	4002093		送料连杆	Connecting rod			1	1
21	10151016		送料曲柄螺钉 SM3/16"x28 L=14	Screw SM3/16"x28 L=14			1	1
22	10140404		抬牙后曲柄	Feed driving shaft crank			1	1
23	400091		送料连杆	Rocker shaft connecting rod			1	1
24	10126006		送料连杆销	Connecting rod pin			1	1
25	101516003		抬牙连杆轴位螺母 SM9/32"x28	Hinge Screw SM9/32"x28			1	1
26	10151023		送料调节器轴端螺母SM3/16"x28 L=6.5	Screw SM3/16"x28 L=6.5			1	1
27	13803021		倒送料轴衬套	Reverse feed shaft bushing back			1	1
28	13822003		倒送料轴O形圈	Rubber ring			1	1
29	13802010		倒送料轴套	Reverse feed shaft			1	1
30	13803020		倒送料轴衬套	Reverse feed shaft bushing mid			1	1
31	13822056		倒送料轴中套密封	Mid bushing oil seal			1	1
32	302665		倒送料轴中套	Reverse feed lever asm			1	1
33	13851010		内六角锥顶固定螺钉M5X8	Screw M5X8			1	1
34	10151002		送料轴挡圈螺钉SM1/4"x40 L=6	Screw SM1/4"x40 L=6			4	4
35	10108003		送料轴挡圈	Feed rocker shaft snap ring			2	2
36	10410315		轴套	Bushing			2	2
37	11403001		GB/T1994-1986挡圈15	Snap ring 15			2	2
38	10104003		抬牙叉形曲柄	Driving shaft crank			1	1
39	10151020		抬牙叉形曲柄螺钉SM11/64"x40 L=10.5	Screw SM11/64"x40 L=10.5			1	1
40	11414002		送料牙	Feed dog			1	1
41	11314001		送料牙(兄弟款)	Feed dog(Brother type)			1	1
42	470060		牙架	Feed bar asm.			1	1
43	10151016		送料曲柄螺钉SM3/16"x28 L=14	Screw SM3/16"x28 L=14			1	1
44	10128003		牙架座螺钉垫圈	Washer			1	1
45	10151025		限位板螺钉SM11/64"x40 L=7	Screw SM11/64"x40 L=7			1	1
46	10410107		牙架销	Feed bar pin			1	1
47	480095		牙架销	Feed bar bed.			1	1
48	10151018		送料牙螺钉 SM1/8"x44 L=6	Screw SM1/8"x44 L=6			2	2
49	10151010		送料牙螺钉 SM15/64"x28 L=10.5	Screw SM15/64"x28 L=10.5			1	1
50	10126009		送料拨动板左销	Left pin			1	1
51	10126007		短拨动板连杆销	Connecting pin			2	2
52	10109005		送料短拨动板	Feed short shaking plate			2	2
53	10109004		送料长拨动板	Feed long shaking plate			2	2
54	102100200		送料拨动板座分组件	Feed shaking plate bed components			1	1
55	10126010		送料短拨动板左销	Right pin			1	1
56	113514010		左销螺钉 SM15/64"x28 L=12	Screw SM15/64"x28 L=12			1	1
57	11427011		送料调节弹簧	Spring			1	1
58	11329020		挡圈5	Snap ring 5			2	2
59	13812081		拉簧固定板	Pull spring fixing plate			1	1
60	13827006		倒送料拉簧	Reverse feed pull spring			1	1
61	1140402700		倒送料曲柄组件	Feed reverse crank asm.			1	1
62	11321005		油管	Tube			1	1
63	114530007		弹簧垫圈螺钉	Screw			1	1
64	114530015		GB/T193-1987弹簧垫圈M4	Spring washer M4			1	1
65	114516004		螺母SM11/64"x40	Nut SM11/64"x40			1	1
66	501102		螺钉 SM3/16"x28 L=18	Screw SM3/16"x28 L=18			1	1
67	10102008		送料轴	Feed rocker shaft			1	1
68	13802001		抬牙轴	Feed driving shaft			1	1
69	510035		GB/T180-2000螺钉M5x8	Screw			1	1
70	400689		牙架组件(成品)	Feed bar asm.			1	1

20	11327001		弹簧	Spring			1	1
21	11230004		14孔接线器	Plug			1	1
22	11230005		电线插针	Pin			1	1
23	11303003		切线轴套	Thread cutting shaft bushing			1	1
24	11503005		驱动曲柄轴衬套	Crank drive shaft bushing			1	1
25	113514002		螺钉SM11/64"x40 L=5.5	Screw SM11/64"x40 L=5.5			1	1
26	11322002		弹簧盖	Spring cover			1	1
27	11327002		弹簧	Spring			1	1
28	11304002		切线凸轮曲柄轴	Crank shaft			1	1
29	116514003		针杆曲柄轴定位螺钉SM1/4"x40 L=4.5	Screw SM1/4"x40 L=4.5			1	1
30	116514005		螺钉SM1/4"x40 L=10	Screw SM1/4"x40 L=10			2	2
31	11309030		凸轮顶柱	Push rod			2	2
32	11310004		凸轮	Cam			1	1
33	11310011		凸轮(厚料)	Cam			1	1
34	11344001		滚柱	Rolling pin			1	1
35	113516002		螺母SM11/64"x40	Nut SM11/64"x40			1	1
36	1130405000		剪线驱动组件	Thread trimmer drive asm.			1	1
37	11302002		轴	Shaft			1	1
38	11322001		驱动曲柄止动块	Positioning block			1	1
39	H05013		GB/T896-1986挡圈	Snap ring			1	1
40	10112003		针杆曲柄轴衬套	Cunter weight protecting			1	1
41	11322003		电磁铁缓冲片	Solenoid cushion rubber			1	1
42	11309001		切线电磁铁顶销	Solenoid pin			1	1
43	10151026		油腺安装螺钉SM15/64"x28 L=9	Screw SM15/64"x28 L=9			1	1
44	11321006		切线电磁铁支架	Solenoid bracket			1	1
45	N01001		螺母 M4	Nut M4			2	2
46	W01013		GB/T191-1985垫圈4.5	Washer			2	2
47	112516006		螺母SM1/4"x40	Nut SM1/4"x40			1	1
48	O01004		O形圈	Rubber ring			1	1
49	1383003300		剪线电磁铁组件	Thread trimmer solenoid asm.			1	1
50	11327003		弹簧	Spring			1	1
51	11320007		松线座	Thread release bed			1	1
52	113520002		螺钉SM1/4"x28	Screw SM1/4"x28			1	1



8. 润滑组件/Oil Lubrication Components

序号NO.	公司件号	Part NO.	名称	PartName	零件描述	Description	数量	Number
1	11210014		油窗	Oil sight window			1	1
2	10122019		油窗O形圈	Rubber ring			1	1
3	13821008		上轴供油管	Main shaft oil tube			1	1
4	112530005		油泵连接螺母	Oil pump connecting stud			1	1
5	11329010		开口挡圈10	Snap ring 10			1	1
6	10121001		下轴供油管	Hook driving shaft oil tube			1	1
7	10120200		油泵安装板	Oil pump installing base			1	1
8	W03002		弹簧	Spring washer			1	1
9	201520001		压脚螺钉SM11/64"x40 L=10.5	Screw SM11/64"x40 L=10.5			1	1
10	10103022		油泵衬套	Oil pump bushing			1	1
11	101520007		柱塞螺钉	Rubber ring			1	1
12	10127013		柱塞套	Plunger spring			1	1
13	10122018		回油柱塞	Plunger			1	1
14	1020001		油泵体	Oil pump			1	1
15	504009		油泵螺钉	Screw			3	3
16	10111003		油泵叶轮	Oil pump impeller			1	1
17	10112021		油泵叶轮托板	Oil pump impeller cover			1	1
18	10111007		油泵盖	Lubricating oil pump cover			1	1
19	101530005		螺钉	Screw			3	3
20	101200100		润滑分组件	Lubricating oil pump component			1	1
21	116530003		抬牙叉固定螺钉SM15/64"x28 L=14.5	Screw SM15/64"x28 L=14.5			1	1
22	10131001		供油接头	Oil reservoir magnet			1	1
23	W02004		GB/T193-1987弹簧M6	Spring Washer M6			1	1
24	11321002		供油管	Hook oil tube			1	1
25	11321001		挡油罩	Oil shield cover			1	1
26	11327004		油窗调节螺钉弹簧	Spring			1	1
27	113530001		油窗调节螺钉	Screw			1	1
28	10123005		油线	Oil wick			1	1
29	10127015		回油毡夹	Oil felt clamp			1	1
30	10123006		回油毡	Oil felt felt			1	1
31	10151004		挑线杆护套螺钉SM3/16"x28 L=7	Screw SM3/16"x28 L=7			1	1
32	10120223		回油管夹	Oil tube clamp			1	1
33	10121007		回油管部件	Oil return tube component			1	1
34	10121008		回油管	Oil return tube			1	1
35	10112025		油线固定板	Oil wick fixing plate			1	1
36	10151010		压脚扳手螺钉SM9/64"x40 L=11	Screw SM9/64"x40 L=11			1	1
37	10123010		油线	Oil wick			2	2



10. 自动抬压脚组件/Auto Lifter Components

序号NO.	公司件号	Part NO.	名称	PartName	零件描述	Description	数量	Number
1	11326005		销子	Pin			1	1
2	P04001		开口销 GB/T91 2x14	Cotter pin			1	1