

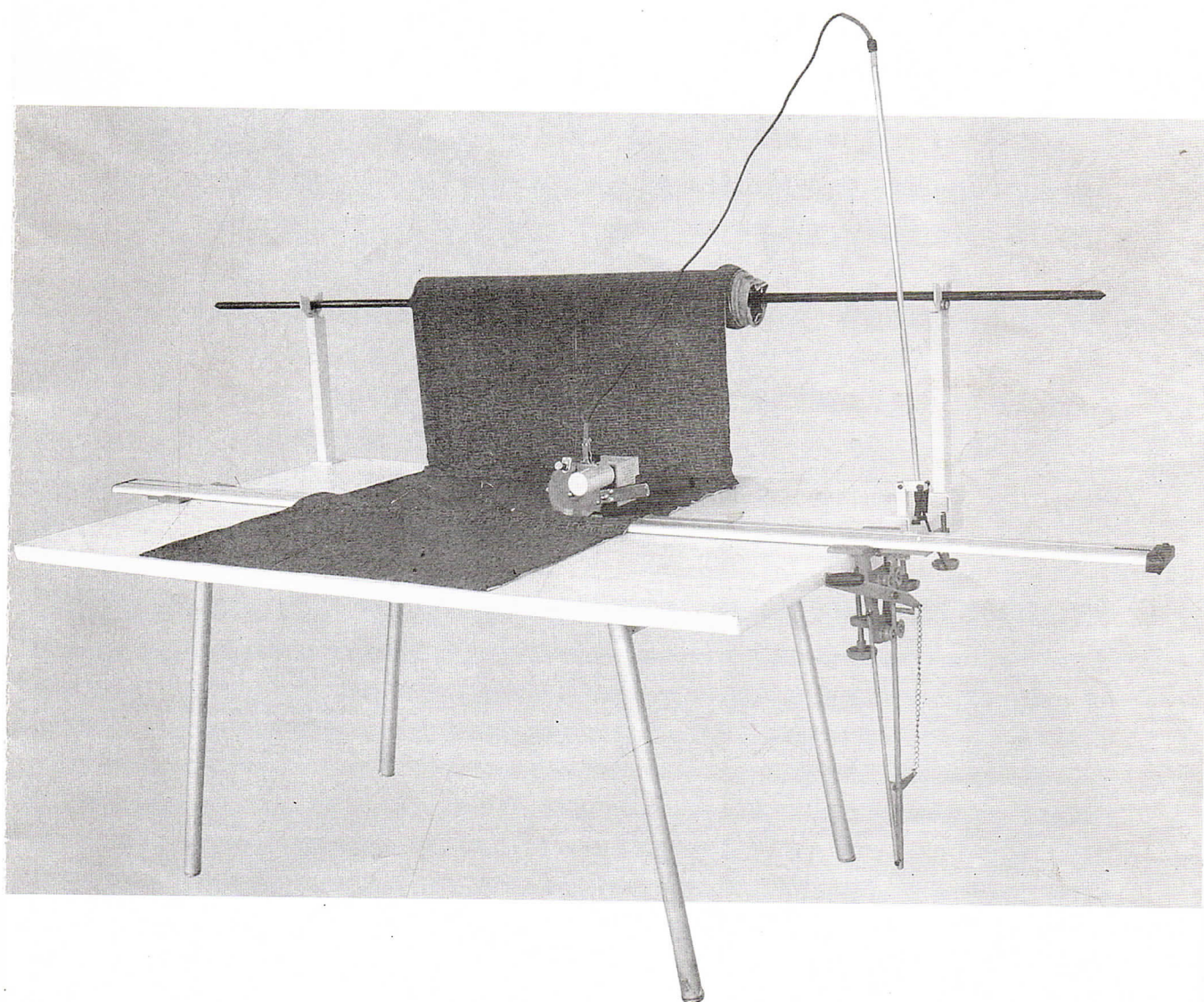
# CLOTH END CUTTER

## D108断布机

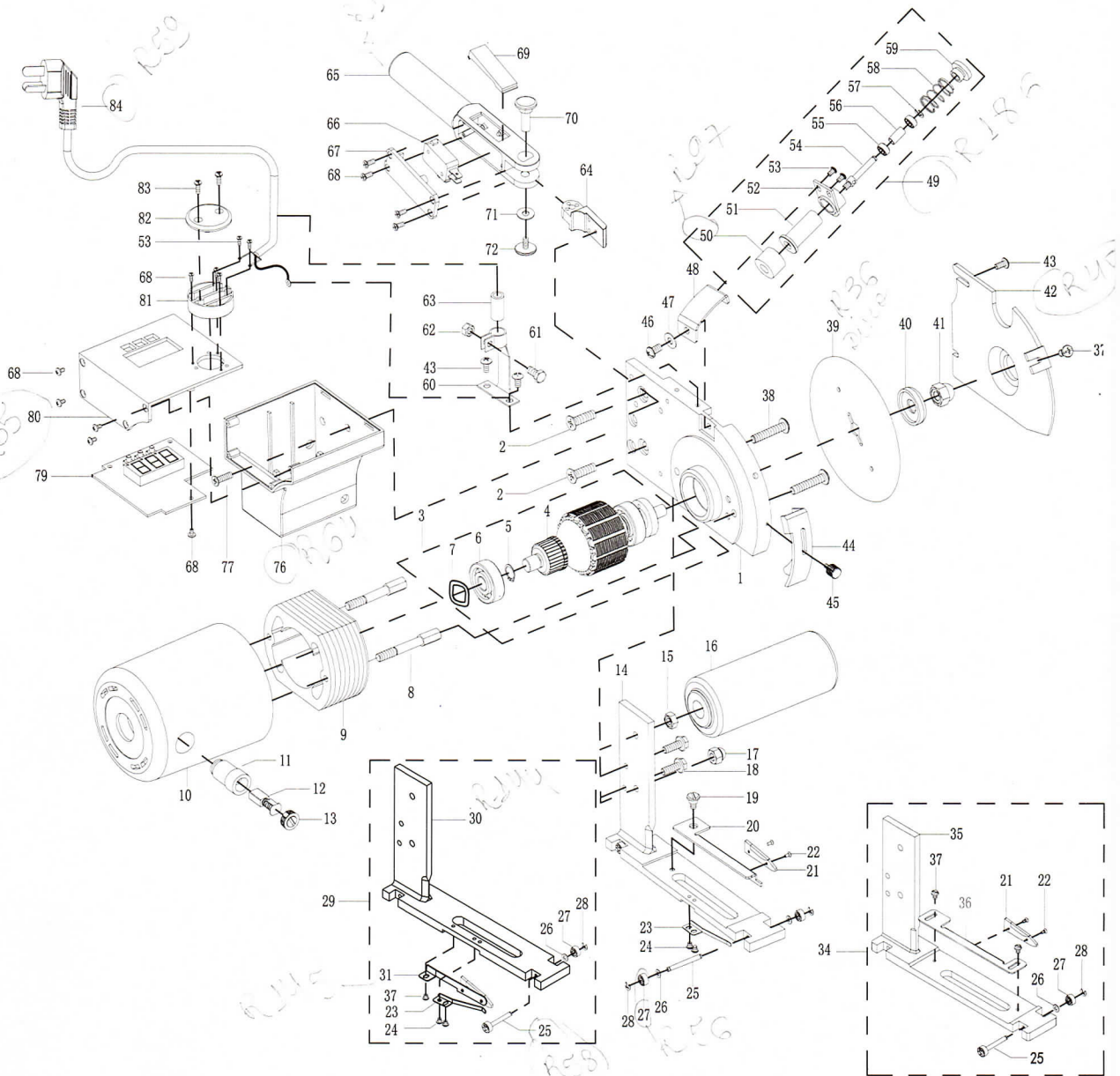
使用説明書

INSTRUCTION/INSSTRUCTION

INSTRUCCION/INSTRUCÕES

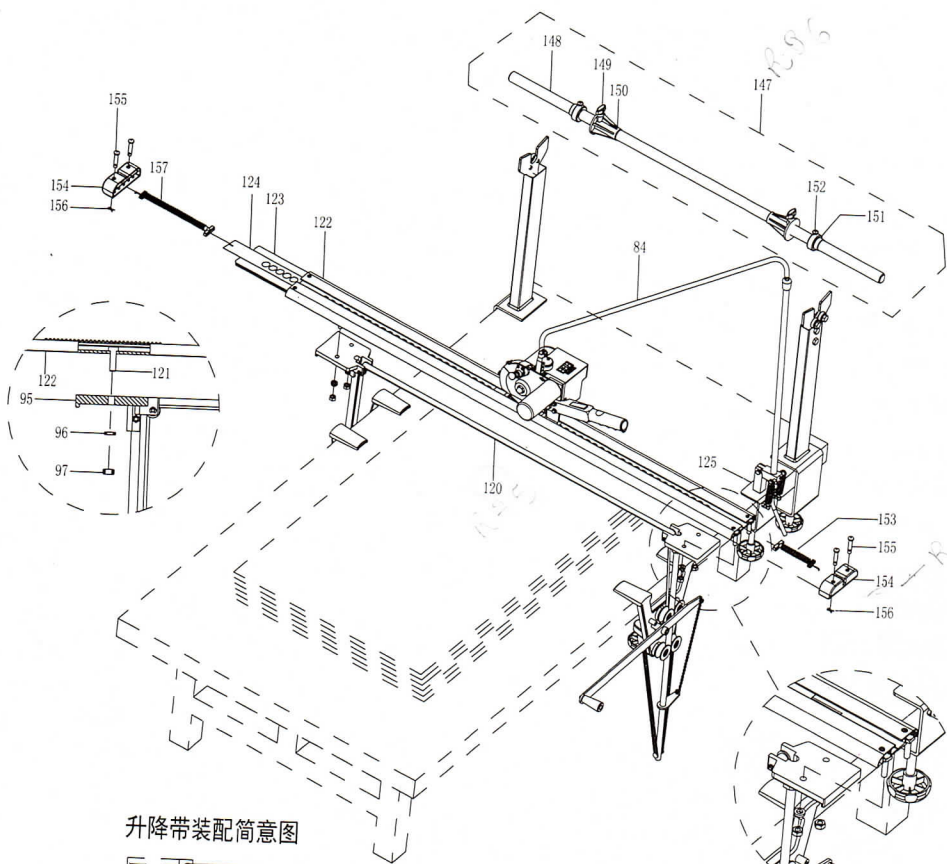


# D108 Three dimensional assembly picture

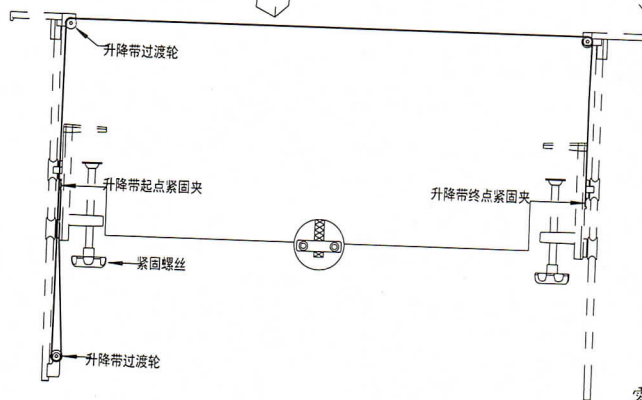


序号 Ref.no.	零件编号及名称 Part.no & Description	序号 Ref.no.	零件编号及名称 Part.no & Description	序号 Ref.no.	零件编号及名称 Part.no & Description
1	R9电机前盖板Front Cover For Motor	19	R48M5台阶螺丝Screw	39	R36刀片Blade
2	R22 M6X25十字沉头螺丝Standard Screw	20	R49底刀架Lower Kniff Base	40	R37刀片垫圈Blade Washer
3	R90转子组件成套Rotor Assembly	21	R51底刀Lower Knife Base	41	R38刀片螺母Blade Nut
4	R5转子Rotor	22	S143 M2X4十字沉头螺丝Screw	42	R40防护罩Fach Plate
5	R4 φ10轴用挡圈Collar	23	B127下刀弹簧片Spring	43	G42 M4X8十字圆头螺丝Standard Screw
6	R3转子轴承(下) Bearing	24	W7 M3X3十字半圆头螺丝Screw	44	R41护刀架Safe Guard
7	S106波形垫片Wave Washer	25	R58滚子轴Roller Shaft	45	R42护刀架螺丝Safe Guard Screw
8	R8定子螺丝Screw For Stator	26	R57 φ3X0.5垫片Washer	46	R24 M5X8十一字螺丝Standard Screw
9	R2定子Stator	27	R56轴承Bearing	47	R25 φ5X1平垫片Washer
10	R1电机壳Motor Housing	28	R55 φ2E型轴用挡圈Collar	48	R26砂轮架Grinder Wheel Holder
11	S168碳刷组件Carbon Brush Sockel Assembly	29	R141下刀架组件Base Plate Assembly	49	R186砂轮成套Grinder Assembly
12	S104碳刷Carbon Brush	30	R144下刀架Base Plate	50	R97砂轮Grinder Wheel
13	S105碳刷帽Cap For Carbon Brush	31	R145底刀Lower Knife Base	51	R189砂轮外轴Grinder Wheel Shaft (Outer)
14	R52下刀架Base Plate	34	R200下刀架组件Base Plate Assembly	52	R31砂轮上轴Grinder Wheel Shaft (Inner)
15	B16下刀架螺母Nut	35	R201下刀架Base Plate	53	R34砂轮上轴螺丝Grinder Wheel Front Base Screw
16	R45平衡块Balance Block	36	R202底刀架Lower Kniff Base	54	R182砂轮内轴Grinder Wheel Shaft (Inner)
17	R47球形螺母Sphericity Nut	37	B125防护罩螺丝Fach Plate Screw	55	R183轴承684Bearing
18	R111下刀架固定螺丝Screw	38	R35电机前盖板螺丝Front Cover For Motor Screw	56	R187轴承隔套Bearing Collar





升降带装配简意图

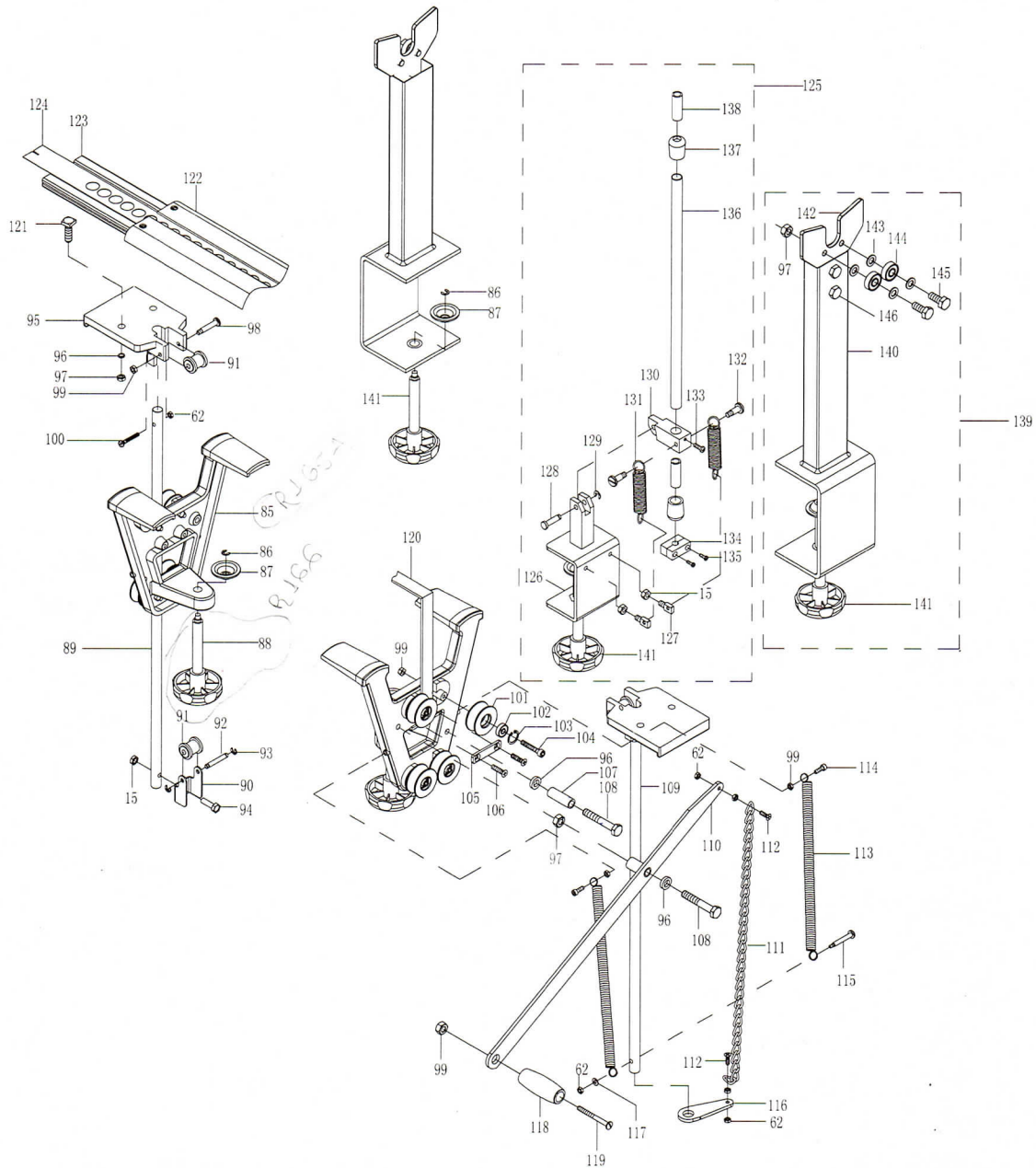


零件更新,恕不另行通知

序号 Ref.no.	零件编号及名称 Part.no & Description
57	R188 $\phi$ 2.5E型轴用挡圈Shaft Ring
58	R32砂轮外轴弹簧Spring
59	R96砂轮按钮Grinder Button
60	R60电源线夹座Cord Clamp
61	G50 M4X10圆头螺丝Standard Screw
62	G24 M4X3.2螺帽Nut Cap
63	R122塑料管Plastic Tube
64	R99手柄活动头Handle Head
65	R100活动手柄(新)Handle (new)
66	W57开关Switch
67	R20开关盖Switch Box Cover
68	R10 M3X8十字沉头自攻螺丝Standard Screw
69	R18开关盖Switch Cover
70	R98手柄活动销Handle Pin
71	R124活动销垫片Washer
72	R109 M5X12内六角杯头螺丝Standard Screw
76	R64计数器盒Counter House
77	R12 M5X8螺丝Screw

序号 Ref.no.	零件编号及名称 Part.no & Description
79	R205计数器(新)Counter (new)
80	R65计数器盒盖Counter House Cap
81	R11电源线接线座Socket
82	R16电源线接线座盖Socket Cap
83	G1 M3X8一字开口自攻螺丝Standard Screw
84	R59电源线Cord With Plug
85	R165A字架A Holder
86	R105 $\phi$ 7E型轴用挡圈Shaft Ring
87	R106夹紧帽Lock Cap
88	R166 A字架夹手轮A Holder Wheel
89	R136升降顶杆(左) Lift Lever (left)
90	R139导轮架Guide Wheel Holder
91	R131导轮Guide Wheel
92	R138导轮销Guide Wheel Pin
93	R137 $\phi$ 5E型轴用挡圈Shaft Ring
94	R140 M6X20外六角螺丝Standard Screw
95	R133导轨顶板Orbit Holder
96	R126 $\phi$ 8X2.1弹垫Washer

序号 Ref.no.	零件编号及名称 Part.no & Description
97	R72 M8X6.8螺母Nut
98	R130导轮销轴Pin
99	R132螺母Nut
100	R134顶板销螺丝Screw
101	R168升降杆导轮Guide Wheel
102	R169轴承Bearing
103	R170 $\phi$ 16孔轴用挡圈Callar
104	R171螺丝Screw
105	R149升降带压块Bell Press Block
106	R150 M5X20十字沉头螺丝Standard Screw
107	R125塑料管Plastic Tube
108	R153 M8X50外六角螺丝Standard Screw
109	R142升降顶杆(右) Lift Lever (Right)
110	R156升降扳手Lift Arm
111	R161升降链条Lift Chain
112	R162 M4X14十字沉头螺丝Standard Screw
113	R146升降拉簧Spring
114	T33 M5X16内六角螺丝Standard Screw



序号 Ref.no.	零件编号及名称 Part.no & Description	序号 Ref.no.	零件编号及名称 Part.no & Description	序号 Ref.no.	零件编号及名称 Part.no & Description
115	R143升降拉簧销Pin	131	R112电源线支撑架拉簧Spring	147	R86穿布棒组件Fabric Holder Sets
116	R160升降滑动块Lift Slider	132	R174电源线支撑架拉簧螺丝Screw	148	R80穿布棒Fabric Holder
117	W46垫圈Washer	133	S156 M4X12一字半圆头螺丝Standard Screw	149	R82带柄螺丝Screw Value
118	R158升降手柄Lift Arm	134	B168升降杆导轮Guide Wheel	150	R81锥柄套Stopper
119	R157升降手柄螺丝Screw	135	G10调节夹螺丝Screw	151	R83 M6X14一字半圆头螺丝Standard Screw
120	R75升降皮带Belt	136	R120不锈钢管 (Φ12.8) Steel Tube (Φ12.8)	152	R84定位套Positin Sleeve
121	R71 M8X2.5螺丝Screw	137	R121护套Cord Sleeve	153	R179挡块保护弹簧Spring
122	R70导轨Orbit	138	R122塑料管Plastic Tube	154	R77导轨挡块Plastic Stopper
123	R73压片橡胶条Rubber	139	R172底布架组件Fabric Holder Assembly	155	R78挡块插销Pin
124	R74导轨槽不锈钢皮Stainless Steel	140	R104顶布支架Stand	156	R180开口销Pin
125	R85电源线支撑架组件Cord Holder Assembly	141	R107顶布架夹紧手轮Lock wheel	157	R177复位弹簧Spring
126	R108电源线支撑架夹板Cord Holder Lock Plate	142	R129顶布叉Fabric Holder Fork		
127	R110电线拉簧螺丝Screw	143	R103垫片Washer		
128	R117支撑架活动销Pin	144	R102轴承Bearing		
129	W38 φ6E型轴用挡圈Shaft Ring	145	R101 M8X20外六角螺丝Standard Screw		
130	R118支撑架活动上块Cord Holder Block (Upper)	146	R128螺丝Screw		