



model **MS-26**

High Speed, Tubular Shape, Three-Needle  
Lap Seam Felling Industrial Sewing Machine

**PARTS \* BOOK**

REVISION No. 3

*1149X5*

*CANION*

*13/15  
30  
1176*



*CANION*

**MS-26**

sections according to the functions of parts and also contains illustrations to assist

If you want some parts for the LOOPER MECHANISM COMPONENTS, just refer to the section on "LOOPER MECHANISM COMPONENTS" etc.

3. The figures on the illustrations indicate the corresponding numbers on the LIST.
4. On bits and pieces parts such as screws, etc. the illustration shows only a representative one and so for the required quantity of these parts, refer to the LIST.
5. Parts marked with \* on the "Ref. No." column, mean these parts are one complete assembly unit.
6. The parts under "Amt. Req." column circled by  $\odot$  are parts included in the one assembly unit which is marked with \* just above these parts.
7. When placing your order, please specify your order by the assembly unit number marked with \* under the "Ref. No." column.

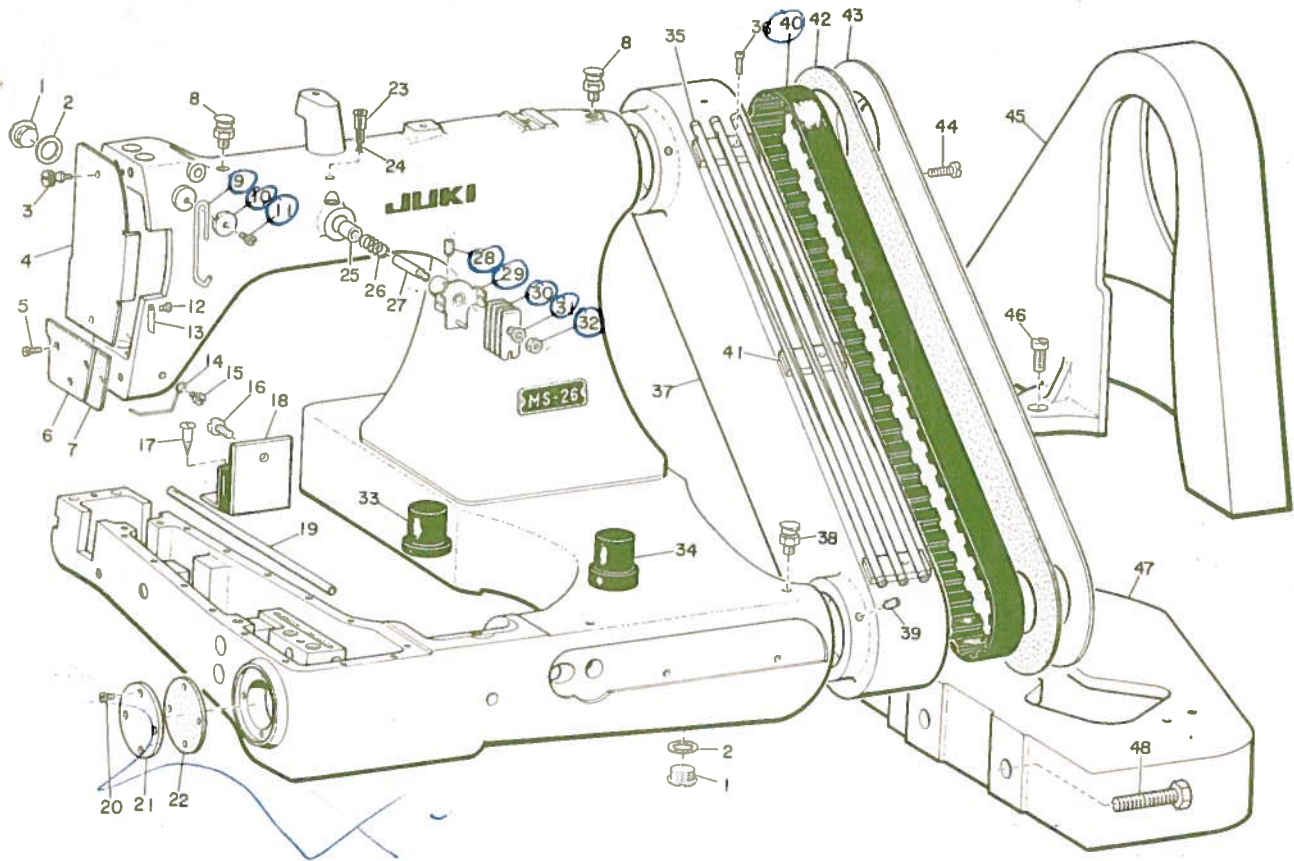
### FOR EXAMPLE

Ref. No.	Part No.	Description	Amt. req.	
*1	B-1111-111-OA0	Name of part	1	Means one assembly unit
2	B-1111-111-000	" "	$\odot$	Means this is included in the above B-1111-111-OA0 assembly unit. (This part can be sold as a single unit)

### CONTENTS

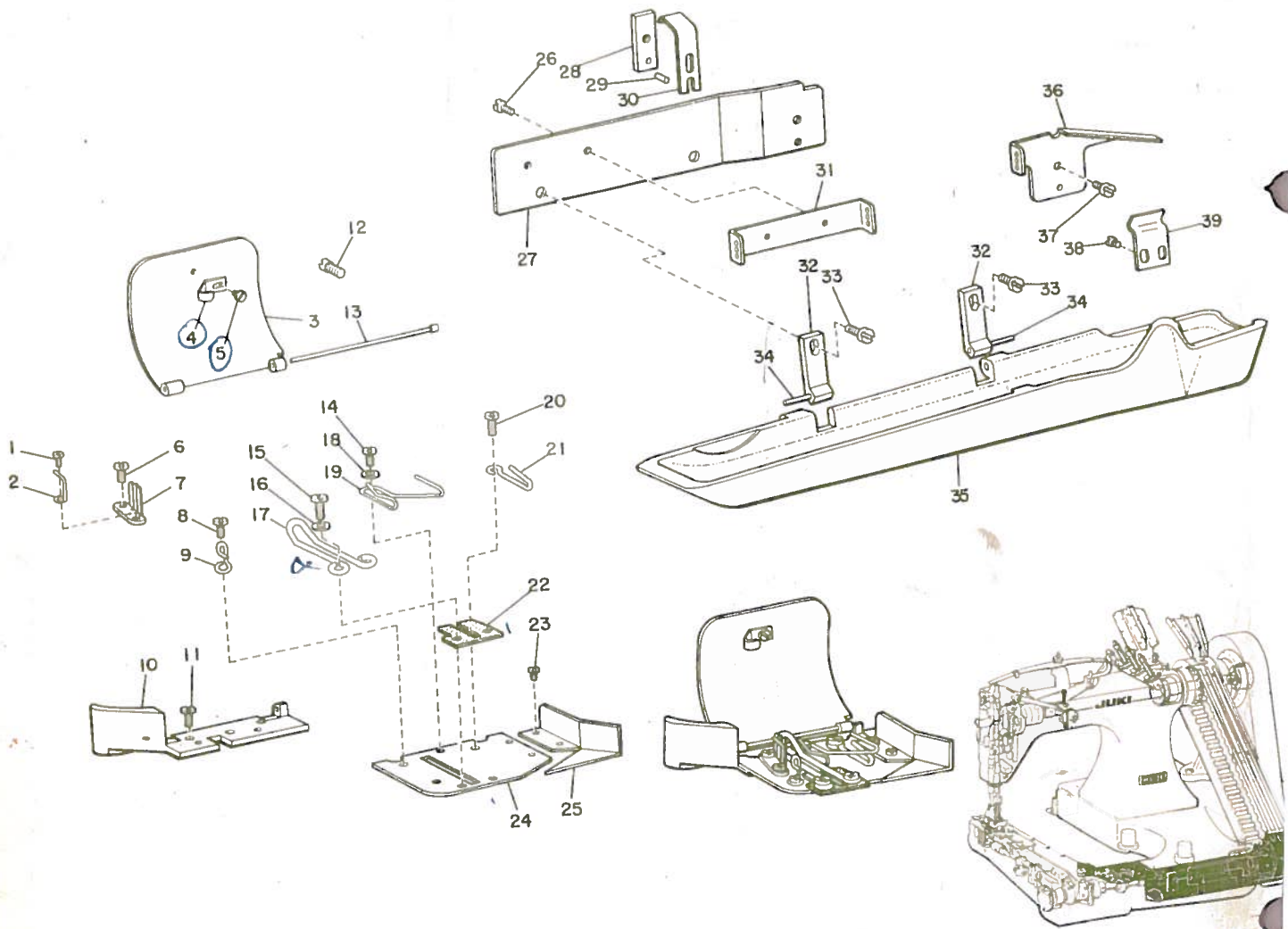
1. FRAME & MISCELLANEOUS COVERS COMPONENTS .....	1
2. THREAD TAKE-UP & LOOPER THREAD TENSION COMPONENTS .....	2
3. LOOPER MECHANISM COMPONENTS .....	3
4. NEEDLE BAR & ARM ROTARY SHAFT COMPONENTS .....	4
5. PRESSER BAR & BED ROTARY SHAFT COMPONENTS .....	5
6. FEED & LOOPER DRIVING MECHANISM COMPONENTS .....	6
7. THREAD TENSION & PRESSER LIFTER COMPONENTS .....	7
8. NUMERICAL INDEX OF PARTS .....	9

# 1. FRAME & MISCELLANEOUS COVERS COMPONENTS



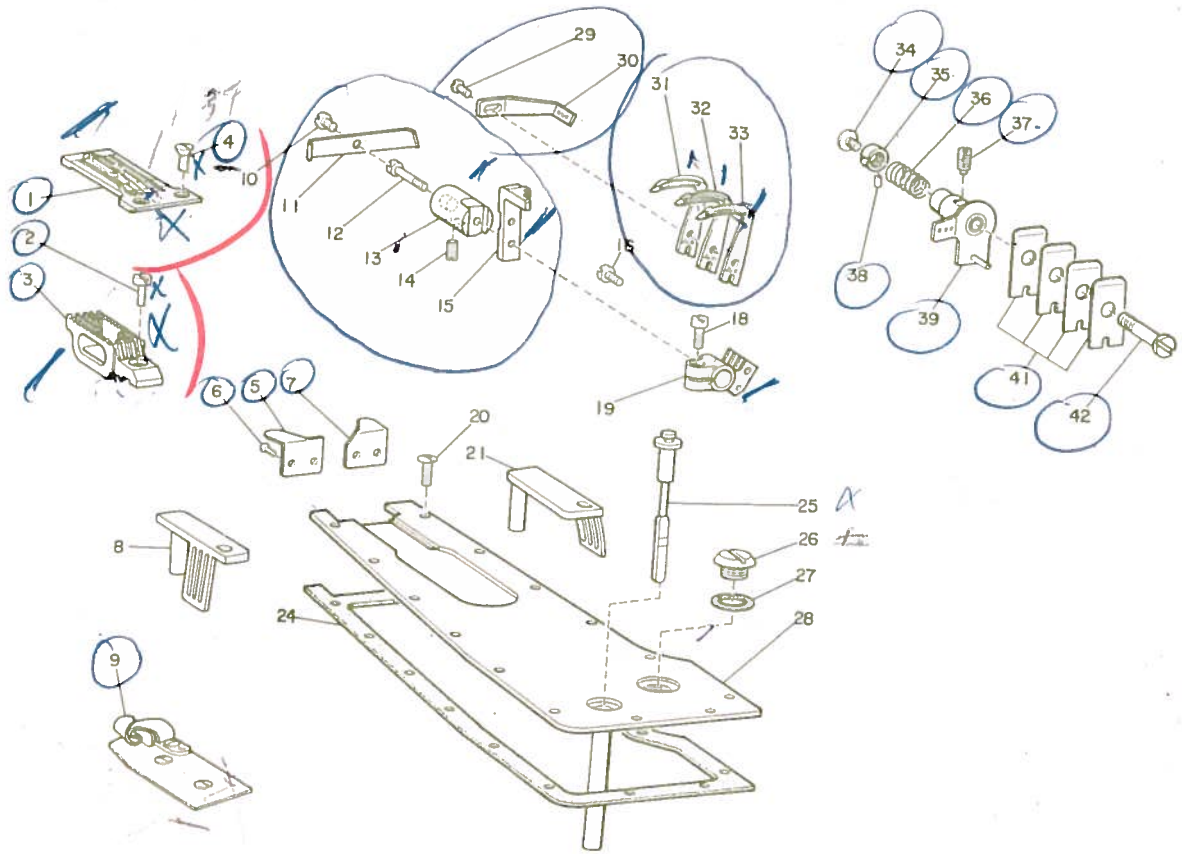
Ref. No.	Part No.	Description	Amt. Req.	Ref. No.	Part No.	Description	Amt. Req.
1	B-1139-019-000	Oil reservoir plug screw	2	26	B-1144-026-000	Nipper stud spring	1
2	B-1140-019-000	. . . Washer	2	27	B-1143-026-000	Needle thread tension nipper	1
3	B-3106-019-000	Screw, for face plate, upper	1	28	SS-6151220-SP	. . . Screw	1
4	B-3101-026-000	Face plate, upper	1	29	B-1140-026-0A0	Needle thread tension nipper body & guide	1
5	SS-1090920-SP	Screw, for face plate, lower	3	30	B-2413-019-000	Needle thread tension nipper tension plate	1
6	B-3102-019-000	Face plate, lower	1	31	WP-0480856-SP	Washer, for nipper stud	1
7	B-3103-019-000	. . . Gasket	1	32	NS-6110420-SP	Nut, for nipper stud	1
8	B-1155-019-000	Oil cup	2	33	B-1152-019-000	Rubber cushion (B)	1
9	B-1903-026-000	Thread take-up tension lever	1	34	B-1156-019-000	Rubber cushion (C)	1
10	B-1904-019-000	. . . Washer	1	35	B-2412-026-000	Thread tube bushing	6
11	SS-6090630-SP	. . . Screw	1	36	SS-4091010-SP	Screw, for thread tube seat	3
12	SS-7060310-SP	Screw, for face plate pawl spring	1	37	B-1110-026-000	Sprocket wheel cover	1
13	B-3104-019-000	Face plate pawl spring	1	38	B-1155-019-000	Oil cup	1
14	B-1130-051-000	Needle bar thread guide	1	39	SS-8660610-TP	Screw, for sprocket wheel cover	2
15	SS-2090710-SP	. . . Screw	1	40	B-1219-019-000	Timing belt	1
16	SS-6151440-SN	Screw (A), for rubber cushion	1	41	B-2409-026-000	Looper thread tube	1
17	SK-3552000-SC	Screw (B), for rubber cushion	1	42	B-1117-019-000	Sprocket wheel cover gasket	1
18	B-1148-019-000	Rubber cushion	2	43	B-1111-019-000	Sprocket wheel cover plate	1
19	B-1157-019-000	Looper thread tube (C)	1	44	SS-7151210-SP	. . . Screw	2
20	SS-6090620-SP	Screw, for bushing cover	4	45	B-1104-019-000	Belt guard	1
21	B-1805-019-000	Bed rotary shaft front bushing cover	1	46	SS-6151440-SP	. . . Screw	2
22	B-1806-019-000	. . . Gasket	1	47	B-1105-019-000	Bed extension	1
23	B-1156-026-000	Oil cup, for needle thread	1	48	SS-9284043-CP	. . . Screw	2
24	B-1157-026-000	. . . Oil wick	1				
25	B-1145-026-000	Nipper stud wearing sleeve	1				

## 2. THREAD TAKE-UP & LOOPER THREAD TENSION COMPONENTS



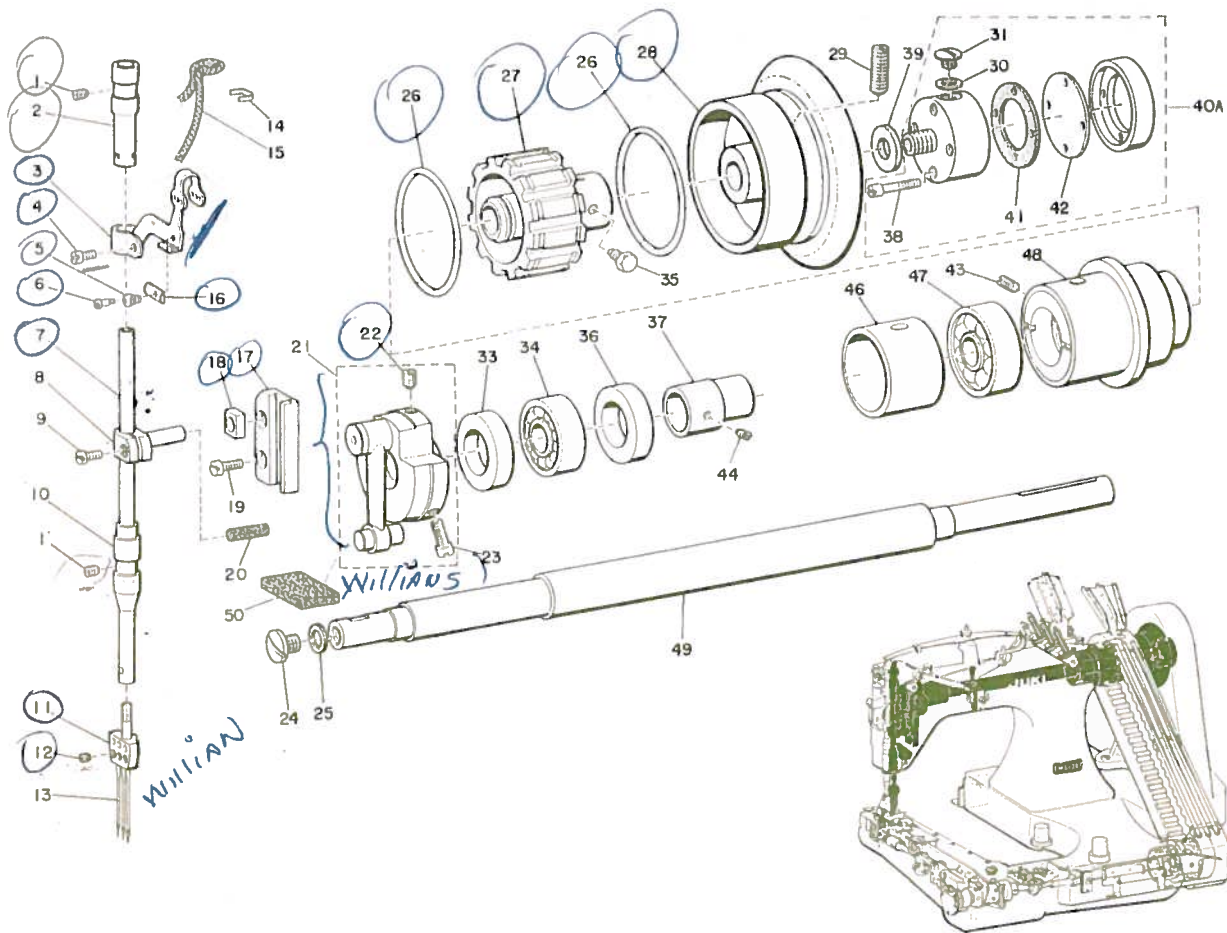
Ref. No.	Part No.	Description	Amt. Req.	Ref. No.	Part No.	Description	Amt. Req.
1	SS-6060210-SP	Screw (E), for looper thread guide (E)	1	21	B-2211-026-000	Looper thread guide (A)	1
2	B-2215-026-000	Looper thread guide (E)	1	22	B-2213-038-000	Looper thread guide (C) cushion	1
3	B-2207-019-000	Looper thread take-up cover	1	23	SS-6060340-SP	Screw, for thread guard	2
4	B-2208-019-000	Looper thread take-up cover spring	1	24	B-2201-019-000	Looper thread take-up stripper plate	1
5	SS-6060210-SP	Screw	1	25	B-2202-019-000	Thread guard	1
6	SS-7090710-SP	Screw (F), for looper thread guide (F)	1	26	SS-2060310-SP	Screw, for looper thread guide plate (A)	2
7	B-2216-026-000	Looper thread guide (F)	1	27	B-2414-026-000	Looper thread guide plate base	1
8	SS-6060340-SP	Screw (D), for looper thread guide (D)	1	28	B-1144-019-000	Looper thread tube cover presser plate	1
9	B-2213-019-000	Looper thread guide (D)	1	29	B-2419-019-000	Looper thread tube cover spring pin	1
10	B-2203-019-000	Looper thread take-up stripper plate bracket	1	30	B-1143-019-000	Looper thread tube cover spring (B)	1
11	SS-3090510-SP	Screw	1	31	B-2413-026-A00	Looper thread guide plate (A)	1
12	B-2226-019-000	Looper thread take-up cover pin locking screw stud	1	32	B-1114-019-000	Looper thread tube cover hinge	2
13	B-2224-019-000	Looper thread take-up cover pin	1	33	SS-7091110-SP	Screw	2
14	SS-7090710-SP	Screw (A), for looper thread guide (A)	1	34	B-1115-019-000	Pin	2
15	SS-7090530-SP	Screw (B), for looper thread guide (B)	1	35	B-1113-019-000	Looper thread tube cover	1
16	WP-0371016-SP	Washer	1	36	B-2413-026-B00	Looper thread guide plate (B)	1
17	B-2212-026-000	Looper thread guide (B)	1	37	SS-3090710-TP	Screw, for tube cover spring (B)	1
18	WP-0371016-SP	Washer, for looper thread guide (C)	1	38	SS-7060610-SP	Screw, for tube cover spring (A)	2
19	B-2212-019-000	Looper thread guide (C)	1	39	B-1141-019-000	Looper thread tube cover spring (A)	1
20	SS-7090710-SP	Screw	1				

### 3. LOOPER MECHANISM COMPONENTS



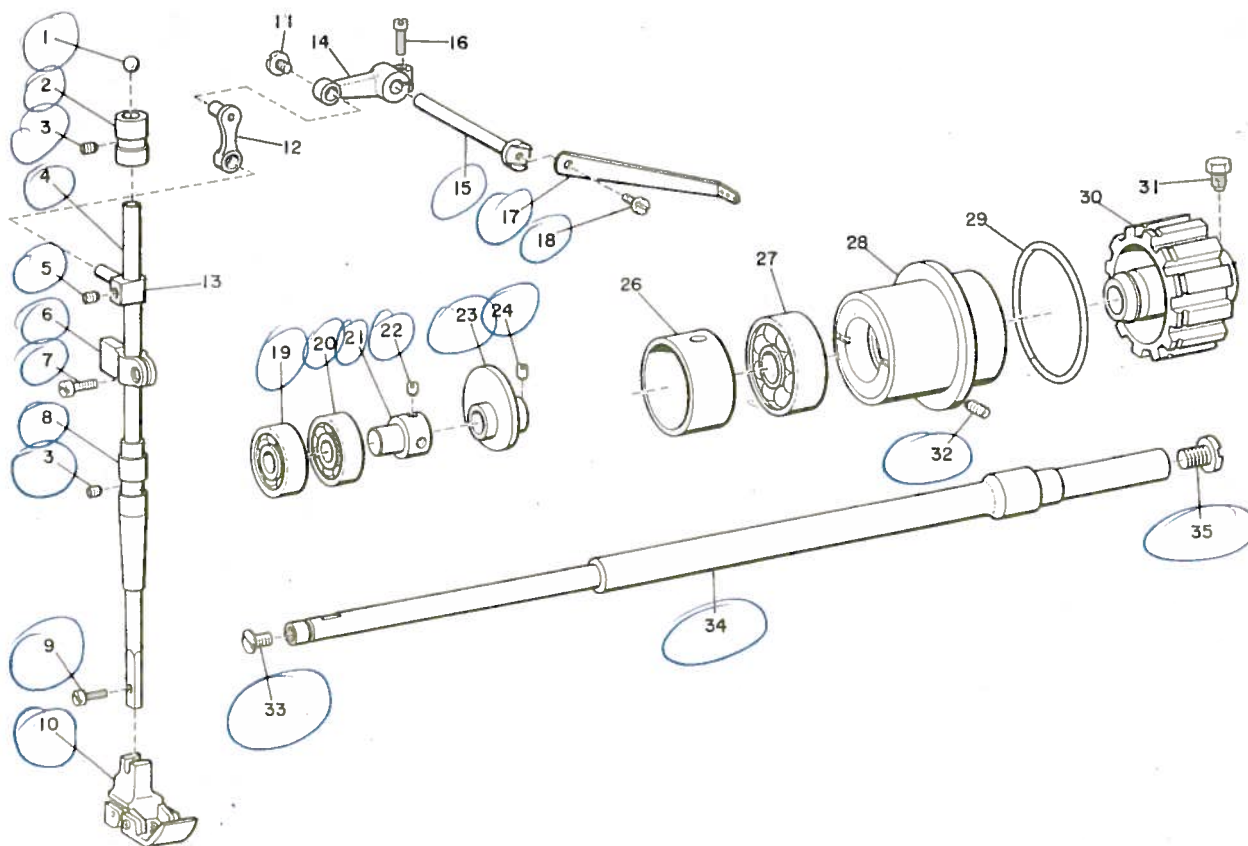
Ref. No.	Part No.	Description	Amt. Req.	Ref. No.	Part No.	Description	Amt. Req.
1	B-1108-026-F00	Throat plate (F)	1	24	B-1119-026-000	Bed cover gasket	2
2	SS-7621040-SP	Screw, for feed dog	1	25	B-1134-019-000	Bed oil gauge	1
3	B-1604-026-A00	Feed dog	1	26	B-1139-019-000	Bed oil drain plug screw	1
4	SS-2110920-TP	Screw, for throat plate	2	27	B-1140-019-000	Washer	1
5	B-1131-026-000	Chain cutter blade (B)	1	28	B-1116-026-0A0	Bed cover	1
6	SS-3060710-SP	Screw	2	29	SS-6080710-SP	Screw, for looper thread eyelet	1
7	B-1130-026-000	Chain cutter blade (A)	1	30	B-2510-026-000	Looper thread eyelet	1
8	B-1125-026-0A0	Looper gate assembly, left	1	31	B-2515-026-F00	Looper (C) 139057 1/4	1
9	B-9100-026-FA0	Lap seam feller (1/4)	1	32	B-2514-026-000	Looper (B) 7392-88	1
10	SS-7090710-SP	Screw, for looper gate retaining spring	1	33	B-2513-026-F00	Looper (A) 139056 1/4	1
11	B-1127-026-000	Looper gate retaining spring	2	34	SS-6090630-SP	Cap screw, for tension regulating screw	1
12	SS-7092360-SP	Screw, for needle guard	1	35	B-2414-019-000	Nut, for tension regulating screw	1
13	B-2509-019-000	Needle guard holder	1	36	B-2415-019-000	Looper thread tension spring	1
14	SS-8150410-SP	Screw	1	37	SS-8151150-SP	Set screw, for tension body	1
15	B-2507-026-000	Needle guard	1	38	B-2411-019-000	Position pin, for regulating screw nut	1
16	B-2518-026-000	Screw, for looper	1	39	B-2421-026-0A0	Looper thread tension body & thread guide	1
17	B-2517-026-000	Looper support pin	1	41	B-2413-019-000	Looper thread tension plate	4
18	SS-6111040-SP	Clamp screw, for looper holder	1	42	B-2416-019-000	Tension regulating screw	1
19	B-2516-026-000	Looper holder	1				
20	SS-5091020-SP	Screw, for bed cover	14				
21	B-1122-026-0A0	Looper gate, right	1				

#### 4. NEEDLE BAR & ARM ROTARY SHAFT COMPONENTS



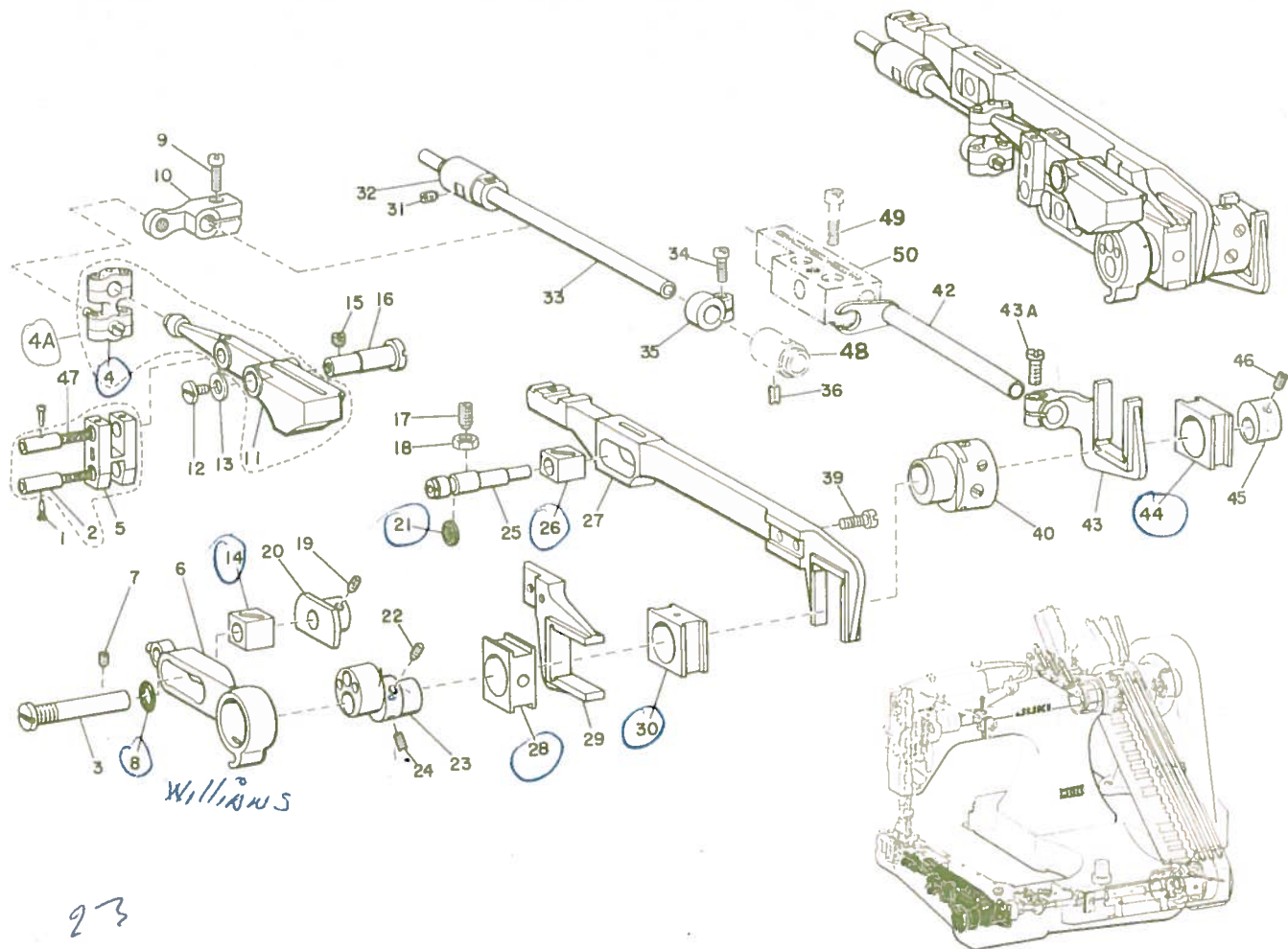
Ref. No.	Part No.	Description	Amt. Req.	Ref. No.	Part No.	Description	Amt. Req.
1	SS-8150310-SP	Screw, for needle bar bushing	2	26	B-1214-019-000	Sprocket ring	2
2	B-1402-026-000	Needle bar upper bushing	1	27	B-1211-019-000	Sprocket wheel (A)	1
3	B-1901-026-000	Thread take-up	1	28	B-1215-026-000	Hand wheel	1
4	SS-6090670-TP	... Clamp screw	1	29	SS-8152030-SP	... Screw	2
5	B-1910-019-000	... Tension spring	1	33	B-1221-019-000	Arm rotary shaft ball bearing thrust collar (B)	1
6	SD-0280410-SL	... Screw stud	1	34	B-1218-019-000	Arm rotary shaft front ball bearing	1
7	B-1401-026-000	Needle bar	1	35	SS-9150860-SK	Screw, for sprocket wheel	2
8	B-1409-019-000	Needle bar connection	1	36	B-1220-019-000	Arm rotary shaft ball bearing thrust collar (A)	1
9	SS-7090910-SP	... Clamp screw	1	37	B-1222-026-000	Arm rotary shaft eccentric	1
10	B-1404-026-000	Needle bar lower bushing	1	38	SS-6092120-SP	Screw, for oil cup body cap retainer	4
11	B-1406-026-F00	Needle holder	1	39	B-3505-019-000	Oil cup gasket	1
12	SS-8110310-SP	... Screw	3	*40A	B-3501-019-0A0	Oil cup body asm.	1
13	MTV-500 B1900	Needle (TV x 5)	3	41	B-3503-019-000	Oil cup body cap gasket	①
14	B-1419-026-000	Oil wick retainer	2	42	B-3502-019-000	Oil cup body cap	①
15	CQ-303000000	Needle bar bushing oil wick	1	30	B-3508-019-000	Washer, for oil plug screw	①
16	B-1906-026-000	Thread take-up tension plate	1	31	SS-5660440-SP	Oil cup body oil plug screw	①
17	B-1412-038-000	Needle bar connection slide block guide	1	43	SS-8701140-SP	Screw, for ball bearing case	1
18	B-1411-019-000	Needle bar connection slide block	1	44	SS-8150410-SP	Screw, for eccentric	2
19	SS-7120910-SP	Clamp screw, for slide block guide	1	46	B-1204-019-000	Arm rotary shaft ball bearing spacing collar	1
20	B-1418-019-000	Roller felt, for needle bar connection	1	47	B-1202-019-000	Arm rotary shaft rear ball bearing	1
21	B-1207-026-0A0	Counterweight assembly	1	48	B-1203-019-0A0	Arm rotary shaft ball bearing case	1
22	SS-8660410-SP	Screw, for needle bar connecting link pin	2	49	B-1201-026-000	Arm rotary shaft	1
23	SS-6151220-SP	Screw, for counter weight	2	50	B-3510-019-000	Oil return felt	1
24	SS-7740740-SP	Arm rotary shaft screw	1				
25	B-1222-019-000	... Washer	1				

## 5. PRESSER BAR & BED ROTARY SHAFT COMPONENTS



Ref. No.	Part No.	Description	Amt. Req.	Ref. No.	Part No.	Description	Amt. Req.
1	B-1506-019-000	Presser bar steel ball	1	19	B-1802-019-000	Bed rotary shaft ball bearing, front	1
2	B-1502-019-000	Presser bar upper bushing	1	20	B-1803-019-000	Bed rotary shaft ball bearing, intermediate	1
3	SS-8150310-SP	. . . Screw	2	21	B-1808-019-000	. . . Sleeve	1
4	B-1501-019-000	Presser bar	1	22	SS-8110320-SP	. . . Screw	1
5	SS-8150410-SP	Screw, for No. 13	1	23	B-2210-019-000	Looper thread take-up	1
6	B-1504-019-000	Presser bar lifting bracket	1	24	SS-8660330-SP	. . . Screw	1
7	SS-7111110-TP	. . . Clamp screw	1	26	B-1811-019-000	Bed rotary shaft ball bearing spacing collar	1
8	B-1503-026-000	Presser bar lower bushing	1	27	B-1202-019-000	Bed rotary shaft ball bearing, rear	1
9	SS-7091110-SP	Screw, for presser foot	1	28	B-1810-026-0A0	Bed rotary shaft ball bearing case	1
10	B-1507-026-FA0	Presser foot assembly	1	29	B-1214-019-000	Sprocket ring	1
11	SS-5090710-SP	Screw, for connecting link	1	30	B-1212-019-000	Sprocket wheel (B)	1
12	B-1161-026-000	Tension release lever shaft crank connecting link	1	31	SS-9150860-SP	. . . Screw	4
13	B-1159-026-000	. . . Bracket	1	32	SS-8701140-SP	Screw, for ball bearing case	1
14	B-1162-026-000	Tension release lever shaft crank	1	33	SS-7110830-SP	Bed rotary shaft screw, front	1
15	B-1164-026-000	Tension release lever shaft	1	34	B-1801-026-000	Bed rotary shaft	1
16	SS-4091010-SP	Clamp screw, for crank	1	35	SS-7161040-SP	Bed rotary shaft screw, rear	1
17	B-1165-026-000	Tension release lever	1				
18	SS-7090710-SP	. . . Screw	1				

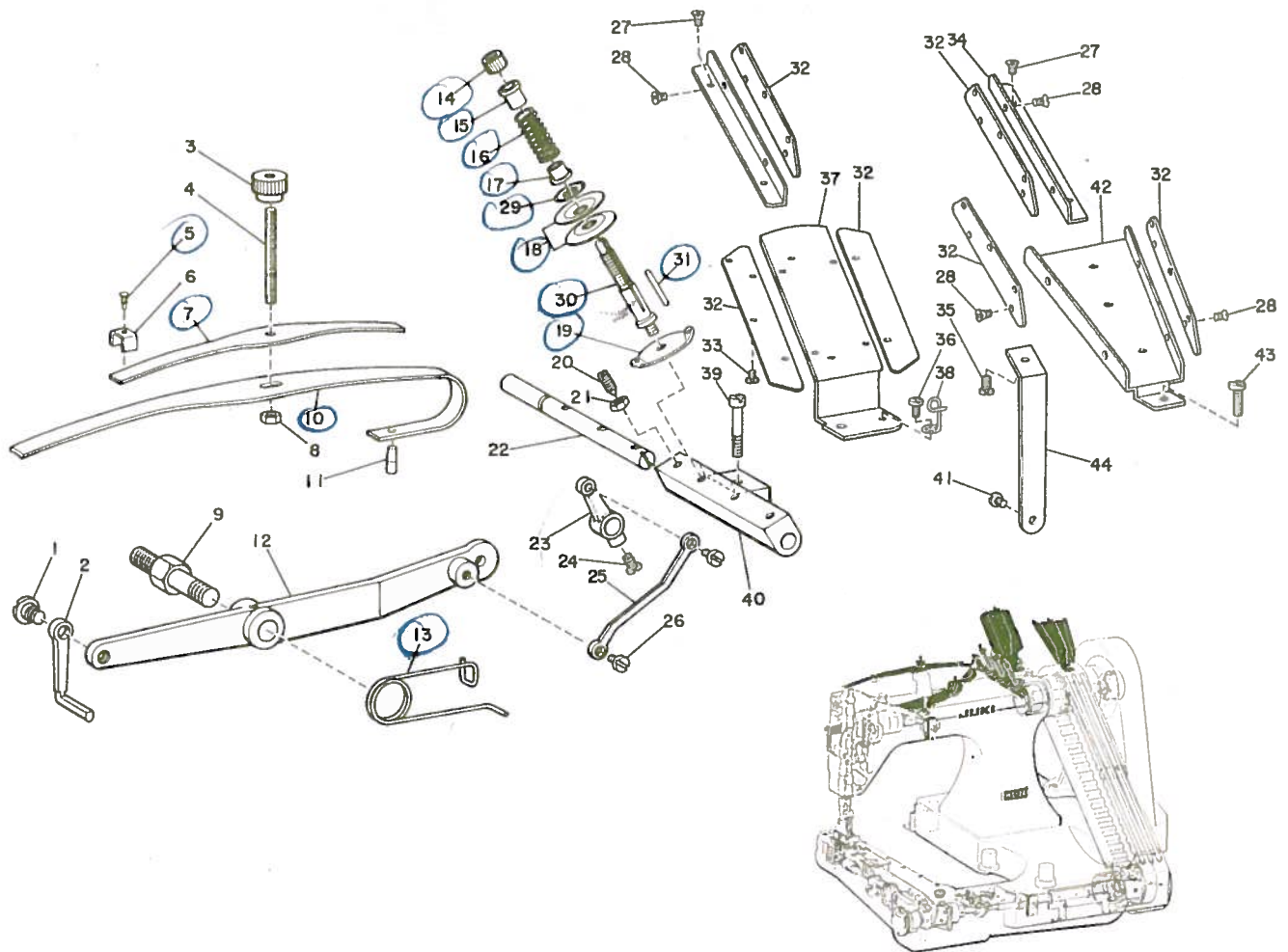
## 6. FEED & LOOPER DRIVING MECHANISM COMPONENTS



Ref. No.	Part No.	Description	Amt. Req.	Ref. No.	Part No.	Description	Amt. Req.
1	B-2117-019-000	Screw, for connecting link pin	2	23	B-2103-026-000	Feed rocker eccentric	1
2	B-2116-019-000	Feed rocker connecting link pin	②	24	SS-8660410-SP	. . . Screw	2
3	B-2106-026-000	Feed rocker & looper avoid lever slide block pin	1	25	B-1608-026-000	Feed bar hinge pin	1
5	B-2115-019-0A0	Feed rocker connecting link (with pin)	1	26	B-1610-019-000	Feed bar hinge pin slide block	1
6	B-2101-026-000	Feed rocker & looper avoid lever	1	27	B-1601-026-000	Feed bar	1
7	SS-8150410-SP	Screw, for slide block pin	1	28	B-1607-019-000	Feed lifting forked connection slide block	1
8	RO-0952001-00	Rubber ring, for slide block pin	1	29	B-1602-019-000	Feed lifting forked connection	1
9	SS-7111110-TP	Clamp screw, for connecting	1	30	B-1606-019-000	Feed bar slide block	1
10	B-2123-026-000	Feed rocker connecting rod crank	1	31	SS-8151150-SP	Screw, for front bushing	1
*4A	B-2102-026-0A0	Feed rocker asm.	1	32	B-2502-019-000	Looper rocker shaft front bushing	1
11	B-2102-026-000	Feed rocker	①	33	B-2501-026-000	Looper rocker shaft	1
4	B-2109-026-0A0	Feed rocker connecting rod assembly	①	34	SS-7111110-TP	Screw, for thrust collar	1
12	SS-8150710-SP	Screw, for feed rocker shaft	1	35	B-2505-019-000	Looper rocker shaft thrust collar	1
13	B-2122-019-000	. . . Washer	1	36	SS-8150410-SP	Screw, for rear bushing	1
14	B-2105-019-000	Feed rocker & looper avoid lever slide block	1	39	SS-7111110-TP	Screw, for feed lifting forked connection	2
15	SS-7110830-SP	Clamp screw, for feed rocker shaft	1	40	B-1611-019-0A0	Feed eccentric body assembly	1
16	B-2107-019-000	Feed rocker shaft	1	42	B-2002-026-000A	Looper avoiding shaft bracket	1
17	SS-8151150-SP	Screw, for feed bar hinge pin	1	43	B-2001-026-000	Looper avoiding forked connection	1
18	NS-6150320-SP	. . . Nut	1	43A	SS-7111110-TP	. . . Clamp screw	1
19	SS-8110510-SP	Screw, for slide block stopper	2	44	B-1607-019-000	Looper avoiding shaft slide block	1
20	B-2108-026-000	Feed rocker & looper avoid lever slide block stopper	1	45	B-2006-019-000	Looper avoid eccentric	1
21	B-1617-019-000	Feed bar hinge pin washer (gasket)	1	46	SS-8110410-TP	. . . Screw	2
				47	CQ-2020000-00	Oil wick	2
				48	B-2503-019-000	Looper rocker shaft rear bushing	1
				⑤0	B-2003-026-000	Looper avoiding eccentric forked connection bracket	1
				49	SS-6122030-SP	. . . Screw	2



## 7. THREAD TENSION & PRESSER LIFTER COMPONENTS



Ref. No.	Part No.	Description	Amt. Req.	Ref. No.	Part No.	Description	Amt. Req.
1	SD-0790431-SP	Hinge pin, for bracket lifter	1	24	SS-7110710-SP	Screw	1
2	B-2322-019-000	Presser bar lifting bracket lifter	1	25	B-2315-019-000	Tension releasing shaft connecting link	1
3	B-2326-019-000	Presser regulating screw nut (B)	1	26	SD-0450211-SP	Hinge screw	2
4	B-2324-019-000	Pressure regulating screw	1	27	SS-5060410-SP	Screw, for thread guide	4
5	A-1161-001-00B	Presser bar spring retaining pin	1	28	SS-2060510-SP	Screw, for thread guide	8
6	B-2330-019-000	Presser bar spring retainer	1	29	B-3132-012-000	Tension releasing disc	3
7	B-2329-019-000	Presser bar spring, upper	1	30	B-2307-019-000	Tension post	3
8	NS-6120310-SP	Presser regulating screw nut (A)	1	31	B-2310-019-000	Tension releasing pin	3
9	B-3701-019-000	Hinge screw, for lifting lever	1	32	B-2402-019-000	Thread guide	6
10	B-2327-019-000	Presser bar spring, lower	1	33	SS-5060410-SP	Screw	4
11	B-2328-019-000	Presser bar spring pin	1	34	B-2405-026-000	Thread guide bracket	2
12	B-2319-019-000	Presser bar lifting lever	1	35	SS-7090520-SP	Screw (B), for bracket support	1
13	B-2321-019-000	Presser bar lifting lever spring	1	36	SS-7090510-SP	Screw, for thread eyelet	1
14	B-2414-019-000	Tension regulating thumb nut	3	37	B-2431-026-000	Thread guide mounting bracket	1
15	B-2312-019-000	Tension spring bushing (A)	3	38	B-2421-019-000	Thread eyelet (needle thread)	1
16	B-2311-019-000	Tension spring	3	39	SS-4622340-SP	Screw, for tension bracket	1
17	B-2313-019-000	Tension spring bushing (B)	3	40	B-2301-026-000	Tension bracket	1
18	B-3126-012-000	Tension disc	6	41	SS-4091010-SP	Screw (A), for bracket support	1
19	B-2306-019-000	Tension thread guide	3	42	B-2401-026-000	Thread guide bracket (looper thread)	1
20	SS-8111160-SP	Screw, for tension releasing shaft	1	43	SS-7090710-SP	Screw	1
21	NS-6110310-SP	Nut	1	44	B-2406-026-000	Thread guide bracket support (looper thread)	1
22	B-2303-026-000	Tension releasing shaft	1				
23	B-2317-019-000	Tension releasing shaft crank	1				

## 8. GAUGE SET COMPONENTS

MS-26

\* Size code:      3/16" = D      9/32" = G  
                      7/32" = E      5/16" = H  
                      1/4" = F      3/8" = K

\*( $\Delta$ ) Binder code:    M (For light weight materials = A)  
                              MH (For medium heavy weight materials = B)  
                              H (For heavy weight materials = C)

Note: When placing your order for the below listed parts, please substitute the above size code with the size you desire in place of the \* mark.

(Example: B-1108-026\*F0---->B-1108-026-DF0)

Also, for parts with  $\Delta$  mark, substitute the above binder code (A, B, or C) with the code you desire in place of the  $\Delta$  mark.

(Example: B-1108-026\*F $\Delta$ ---->B-1108-026-DFA)

B-1108-026-*F0	Gauge set (without binder)
B-1108-026-*F $\Delta$	Gauge set (with binder)
B-1108-026-*00	Throat plate
B-1604-026-*00	Feed dog (7/32", 1/4", 9/32")
B-1604-026-B00	Feed dog (5/16", 3/8")
B-1604-026-D00	Feed dog (3/16")
B-1507-026-*A0	Presser foot
B-1406-026-*00	Needle clamp
B-1406-019-D00	Needle clamp (For 3/16")
B-2513-026-*A0	Looper set
B-2513-026-DA0	Looper set (for 3/16")
B-2513-026-*00	Looper A
B-2514-026-000	Looper B
B-2515-026-*00	Looper C
B-2516-026-000	Looper support arm
B-2516-026-D00	Looper support arm (for 3/16")
B-9100-026-*A $\Delta$	Binder
B-2507-026-D00	Needle guide (for 3/16")

Note: 3/16" is twin needle. With the exception of B, the looper codes are A and C  
Exclusive needle guide is incorporated to the 3/16" gauge set.

# 3. NUMERICAL INDEX OF PARTS

Part No.	Page	Ref. No.	Part No.	Page	Ref. No.	Part No.	Page	Ref. No.	Part No.	Page	Ref. No.	Part No.	Page	Ref. No.
<b>EXCLUSIVE PARTS</b>														
A-1161-001-00B	7-5		B-1504-019-000	5-6		B-2324-019-000	7-4		SS-3090510-SP	2-11		SS-8660410-SP	4-22	
B-1104-019-000	1-45		B-1506-019-000	5-1		B-2326-019-000	7-3		SS-3090710-SP	2-37		SS-8660410-SP	6-24	
B-1105-019-000	1-47		B-1507-026-FA0	5-10		B-2327-019-000	7-10		SS-4091010-SP	1-36		SS-8660610-TP	1-39	
B-1108-026-F00	3-1		B-1601-026-000	6-27		B-2328-019-000	7-11		SS-4091010-SP	5-16		SS-8660610-TP	6-22	
B-1110-026-000	1-37		B-1602-019-000	6-29		B-2329-019-000	7-7		SS-4091010-SP	7-40		SS-8701140-SP	4-43	
B-1111-019-000	1-43		B-1604-026-A00	3-3		B-2330-019-000	7-6		SS-4622340-SP	7-39		SS-8701140-SP	5-32	
B-1113-019-000	2-35		B-1606-019-000	6-30		B-2401-026-000	7-42		SS-5060410-SP	7-27		SS-9150860-SP	4-35	
B-1114-019-000	2-32		B-1607-019-000	6-28		B-2402-019-000	7-32		SS-5060410-SP	7-33		SS-9150860-SP	5-31	
B-1115-019-000	2-34		B-1607-019-000	6-44		B-2405-025-000	7-34		SS-5090710-SP	5-11		SS-9284043-CP	1-48	
B-1116-026-0A0	3-28		B-1608-026-000	6-25		B-2406-026-000	7-44		SS-5091020-SP	3-20		WP-0371016-SP	2-16	
B-1117-019-000	1-42		B-1610-019-000	6-26		B-2409-026-000	1-41		SS-5660440-SP	4-31		WP-0371019-SP	2-18	
B-1119-026-000	3-24		B-1611-019-0A0	6-40		B-2411-019-000	3-38		SS-6060210-SP	2-5		WP-0480856-SP	1-31	
B-1122-026-0A0	3-21		B-1617-019-000	6-21		B-2421-026-0A0	3-39		SS-6060210-SP	2-1				
B-1125-026-0A0	3-8		B-1801-026-000	5-34		B-2412-026-000	1-35		SS-6060340-SP	2-8				
B-1127-026-000	3-11		B-1802-019-000	5-19		B-2413-019-000	1-30		SS-6060340-SP	2-23				
B-1130-026-000	3-7		B-1803-019-000	5-20		B-2413-019-000	3-41		SS-6080710-SP	3-29				
B-1130-051-000	1-14		B-1805-019-000	1-21		B-2413-026-A00	2-31		SS-6090620-SP	1-20				
B-1131-026-000	3-5		B-1806-019-000	1-22		B-2413-026-B00	2-36		SS-6090630-SP	1-11				
B-1134-019-000	3-25		B-1808-019-000	5-21		B-2414-019-000	3-35		SS-6090630-SP	3-34				
B-1139-019-000	1-1		B-1810-026-0A0	5-28		B-2414-026-000	2-27		SS-6090670-TP	4-4				
B-1139-019-000	3-26		B-1811-019-000	5-26		B-2415-019-000	3-36		SS-6092120-SP	4-38				
B-1140-019-000	1-2		B-1901-026-000	4-3		B-2416-019-000	3-42		SS-6111040-SP	3-18				
B-1140-019-000	3-27		B-1903-026-000	1-9		B-2419-019-000	2-29		SS-6122030-SP	6-49				
B-1140-026-0A0	1-29		B-1904-019-000	1-10		B-2421-019-000	7-38		SS-6151220-SP	4-23				
B-1141-019-000	2-39		B-1906-026-000	4-16		B-2431-026-000	7-37		SS-6151220-SP	1-28				
B-1143-019-000	2-30		B-1910-019-000	4-5		B-2501-026-000	6-33		SS-6151440-SN	1-16				
B-1143-026-000	1-27		B-2001-026-000	6-43		B-2502-019-000	6-32		SS-6151440-SP	1-46				
B-1144-019-000	2-28		B-2002-026-000A	6-42		B-2503-019-000	6-48		SS-7060310-SP	1-12				
B-1144-026-000	1-26		B-2003-026-000	6-50		B-2505-019-000	6-35		SS-7060610-SP	2-38				
B-1145-026-000	1-25		B-2006-019-000	6-45		B-2507-026-000	3-15		SS-7090510-SP	7-36				
B-1148-019-000	1-18		B-2101-026-000	6-6		B-2509-019-000	3-13		SS-7090520-SP	7-35				
B-1152-019-000	1-33		B-2102-026-000	6-11		B-2510-026-000	3-30		SS-7090530-SP	2-15				
B-1155-019-000	1-8		B-2102-026-0A0	6-11A		B-2513-026-F00	3-33		SS-7090710-SP	2-6				
B-1155-019-000	1-38		B-2103-026-000	6-23		B-2514-026-000	3-32		SS-7090710-SP	2-14				
B-1156-019-000	1-34		B-2105-019-000	6-14		B-2515-026-F00	3-31		SS-7090710-SP	2-20				
B-1156-026-000	1-23		B-2106-026-000	6-3		B-2516-026-000	3-19		SS-7090710-SP	3-10				
B-1157-019-000	1-19		B-2107-019-000	6-16		B-2517-026-000	3-17		SS-7090710-SP	5-18				
B-1157-026-000	1-24		B-2108-026-000	6-20		B-2518-026-000	3-16		SS-7090710-SP	7-43				
B-1159-026-000	5-13		B-2109-026-0A0	6-4		B-3101-026-000	1-4		SS-7090910-SP	4-9				
B-1161-026-000	5-12		B-2115-019-0A0	6-5		B-3102-019-000	1-6		SS-7091110-SP	5-9				
B-1162-026-000	5-14		B-2116-019-000	6-2		B-3103-026-000	1-7		SS-7091110-SP	2-33				
B-1164-026-000	5-15		B-2117-019-000	6-1		B-3104-019-000	1-13		SS-7092360-SP	3-12				
B-1165-026-000	5-17		B-2122-019-000	6-13		B-3106-019-000	1-3		SS-7110710-SP	7-24				
B-1201-026-000	4-49		B-2123-026-000	6-10		B-3126-012-000	7-18		SS-7110830-SP	5-33				
B-1202-019-000	4-47		B-2201-019-000	2-24		B-3132-012-000	7-29		SS-7110830-SP	6-15				
B-1202-019-000	5-27		B-2202-019-000	2-25		B-3501-019-0A0	4-40A		SS-7111110-TP	5-7				
B-1203-019-0A0	4-48		B-2203-019-000	2-10		B-3502-019-000	4-42		SS-7111110-TP	6-9				
B-1204-019-000	4-46		B-2207-019-000	2-3		B-3503-019-000	4-41		SS-7111110-TP	6-34				
B-1207-026-0A0	4-21		B-2208-019-000	2-4		B-3505-019-000	4-39		SS-7111110-TP	6-39				
B-1211-019-000	4-27		B-2210-019-000	5-23		B-3508-019-000	4-30		SS-7111110-TP	6-43A				
B-1212-019-000	5-30		B-2211-026-000	2-21		B-3510-019-000	4-50		SS-7120910-SP	4-19				
B-1214-019-000	4-26		B-2212-019-000	2-19		B-3701-019-000	7-9		SS-7151210-SP	1-44				
B-1214-019-000	5-29		B-2212-026-000	2-17		B-9100-026-FA0	3-9		SS-7161040-SP	5-35				
B-1215-026-000	4-28		B-2215-026-000	2-2					SS-7621040-SP	3-2				
B-1218-019-000	4-34		B-2213-019-000	2-9		<b>SCREW &amp; OTHERS</b>			SS-7740740-SP	4-24				
B-1219-019-000	1-40		B-2213-038-000	2-22		MTV-500 B1900	4-13		SS-8110310-SP	4-12				
B-1220-019-000	4-36		B-2216-026-000	2-7		CQ-2020000-00	6-47		SS-8110320-SP	5-22				
B-1221-019-000	4-33		B-2224-019-000	2-13		CQ-3030000-00	4-15		SS-8110410-TP	6-46				
B-1222-019-000	4-25		B-2226-019-000	2-12		NS-6110310-SP	7-21		SS-8110510-SP	6-19				
B-1222-026-000	4-37		B-2301-026-000	7-40		NS-6110420-SP	1-32		SS-8111160-SP	7-20				
B-1401-026-000	4-7		B-2303-026-000	7-22		NS-6120310-SP	7-8		SS-8150310-SP	5-3				
B-1402-026-000	4-2		B-2306-019-000	7-19		NS-6150320-SP	6-18		SS-8150310-SP	4-1				
B-1404-026-000	4-10		B-2307-019-000	2-30		RO-0952001-00	6-8		SS-8150410-SP	3-14				
B-1406-026-F00	4-11		B-2310-019-000	7-31		SD-0280410-SL	4-6		SS-8150410-SP	5-5				
B-1409-019-000	4-8		B-2311-019-000	7-16		SD-0450211-SP	7-26		SS-8150410-SP	6-7				
B-1411-019-000	4-18		B-2312-019-000	7-15		SD-0790431-SP	7-1		SS-8150410-SP	6-36				
B-1412-038-000	4-17		B-2313-019-000	7-17		SK-3552000-SC	1-17		SS-8150410-SP	4-44				
B-1418-019-000	4-20		B-2314-019-000	7-14		SS-1090920-SP	1-5		SS-8150710-SP	6-12				
B-1419-026-000	4-14		B-2315-019-000	7-25		SS-2060310-SP	2-26		SS-8151150-SP	6-17				
B-1501-019-000	5-4		B-2317-019-000	7-23		SS-2060510-SP	7-28		SS-8151150-SP	3-37				
B-1502-019-000	5-2		B-2319-019-000	7-12		SS-2090710-SP	1-15		SS-8151150-SP	6-31				
B-1503-026-000	5-8		B-2321-019-000	7-13		SS-2110920-TP	3-4		SS-8152030-SP	4-29				
			B-2322-019-000	7-2		SS-3060710-SP	3-6		SS-8660330-SP	5-24				