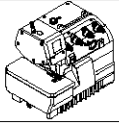
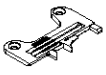
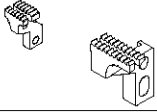
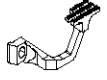

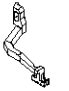


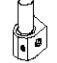

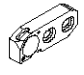

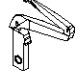



SIRUBA GAGE PARTS LIST		Series						Remark						Page	Date		
		700K												1 / 2	2016/11/20		
機 型 MODEL		針板 NEEDLE PLATE	送具 FEED DOG	送具 FEED DOG	押具 PRESSER FOOT	勾 針 LOOPER	針留 NEEDLE CLAMP	束 子 COLLER	衝 程 CRANK	衝 程 CRANK	大 心 Crankshaft	勾針連桿座 Upper Looper Holder	過線器 Bracket	下刀架 Lower Knife Holder	針 號 NEEDLE		
737K	503M2-04	E222	D210K	D207	H204K	P201-14A	LP231	KG231K-E	KJ204	KF203-E	KJ206-E	KD201K	KJ236	KJ219	KR209	DCX27#11	
	504F1-04	E206	D201K	D207	H201K	P201-14A	LP225	KG231K-E	KJ204	KF203-E	KJ206-E	KD201K	KJ236	KJ219	KR209	DCX27#9	
	504F1-15	E233K	D201K	D217	H201K	P214P-A	LP225	KG231K-E	KJ204	KF203-E	KJ206-E	KD201K	KJ236	KJ219	KR209	DCX27#9	
	504F2-02/GAL	E233K	D201K	D217	H201K	P214P-2A	LP225	KG231K-E	KJ204	KF203-E	KJ206-E	KD201K	KJ236	KJ219	KR209	DCX27#9	
	504M1-15	E207	D201K	D209	H201K	P211-A	LP225	KG231K-E	KJ204	KF203-E	KJ206-E	KD201K	KJ236	KJ219	KR209	DCX27#9	
	504M2-04	E222	D210K	D207	H204K	P201-14A	LP225	KG231K-E	KJ204	KF203-E	KJ206-E	KD201K	KJ236	KJ219	KR209	DCX27#11	
	504M2-04LFC-3	E222	D210K	D207	H204K	P216-3	LP225	KG231K-E	KJ204	KF203-E	KJ206-E	KD201K	KJ236	KJ219	KR209	DCX27#11	
	504M2-04TR	E222	D210K	D207	H204K	P216-3	LP225	KG231K-E	KJ204	KF203-E	KJ206-E	KD201K	KJ236	KJ219	KR209	DCX27#11	
	WR/LFC-3	E246					LP225	KG231K-E	KJ204	KF203-E	KJ206-E	KD201K	KJ236	KJ219			DCX27#11
	504M3-04	E220	D210K	D209	H204K	P201-14A	LP225	KG231K-E	KJ204	KF203-E	KJ206-E	KD201K	KJ236	KJ219	KR209	DCX27#11	
	504M3-05	E221	D210K	D209	H204K	P201-14A	LP225	KG231K-E	KJ204	KF203-E	KJ206-E	KD201K	KJ236	KJ219	KR209	DCX27#11	
	504M3-05PZ	E221	D210K	D209	H204K	P257-A	LP225	KG231K-E	KJ204	KF203-E	KJ206-E	KD201K	KJ236	KJ219	KR209	DCX27#18	
	504M5-04BK	E232	D203K	D207	H203K	P202-2A	LP225	KG231K-E	KJ204	KF203-E	KJ206-E	KD201K	KJ236	KJ219	KR209	DCX27#11	
	504M5-04BK-1	E232	D203K	D207	H203K	P202-2A	LP225	KG231K-E	KJ204	KF203-E	KJ206-E	KD201K	KJ236	KJ219	BK239	DCX27#11	
	505F1-04	E206	D201K	D207	H201K	P203-A	LP225	KG231K-E	KJ204	KF203-E	KJ206-E	KD201K	KJ236	KJ219	KR209	DCX27#9	
747K	512M1-25	E208	D210K	D207	H204K	P201-A	LP228	KG242K-E	KJ204	KF215-E	KJ203-E	KD201K	KJ208	KJ219	KR209	DCX27#11*2	
	512M1-34	E236	D210K	D207	H204K	P214-A	LP228	KG254K-E	KJ204	KF215-E	KJ203-E	KD201K	KJ208	KJ219	KR209	DCX27#14*2	
	514F1-24	E212K	D210K	D207	H204K	P201-A	LP226	KG242K-E	KJ234K	KF203-E	KJ203-E	KD201K	KJ208	KJ219	KR209	DCX27#11*2	
	514H4-24GA	E229	D202K	D207	H202K	P204-A	LP226	KG242K-E	KJ234K	KF203-E	KJ203-E	KD201K	KJ208	KJ219	KR209	DCX27#11*2	
	514H4-24GA/P	E229	D202K	D207	H202K	P204P-A	LP226	KG242K-E	KJ234K	KF203-E	KJ203-E	KD201K	KJ208	KJ219	KR209	DCX27#11*2	
	514M2-24	E229	D210K	D207	H204K	P201-A	LP226	KG242K-E	KJ234K	KF203-E	KJ203-E	KD201K	KJ208	KJ219	KR209	DCX27#11*2	
	514M2-24TG	E229	D210K	D207	H204K	P254J-4A	LP226	KG242K-E	KJ234K	KF203-E	KJ203-E	KD201K	KJ208	KJ219	KR209	DCX27#11*2	
	514M2-24LFC-3	E229	D210K	D207	H204K	P216-4	LP226	KG242K-E	KJ234K	KF203-E	KJ203-E	KD201K	KJ208	KJ219	KR209	DCX27#11*2	
	514M2-25	E208	D210K	D207	H204K	P201-A	LP226	KG242K-E	KJ234K	KF203-E	KJ203-E	KD201K	KJ208	KJ219	KR209	DCX27#11*2	
	514M2-25TG	E208	D210K	D207	H204K	P254J-4A	LP226	KG242K-E	KJ234K	KF203-E	KJ203-E	KD201K	KJ208	KJ219	KR209	DCX27#11*2	
	514M2-25LFC-3	E208	D210K	D207	H204K	P216-4	LP226	KG242K-E	KJ234K	KF203-E	KJ203-E	KD201K	KJ208	KJ219	KR209	DCX27#11*2	
	514M2-28	E239	D210K	D207	H204K	P201-8A	LP227A	KG242K-E	KJ204K	KF203-E	KJ203-E	KD201KA	KJ228	KJ238	KR209	DCX27#11*2	
	514M4-23	E249	D210K	D209	H204K	P201-2A	LP226	KG242K-E	KJ234K	KF203-E	KJ203-E	KD201K	KJ208	KJ219	KR209	DCX27#11*2	
	514M5-23BK	E210	D203K	D207	H203K	P202-A	LP226	KG242K-E	KJ234K	KF203-E	KJ203-E	KD201K	KJ208	KJ219	KR209	DCX27#11*2	
	514M5-23BK-1	E210	D203K	D207	H203K	P202-A	LP226	KG242K-E	KJ234K	KF203-E	KJ203-E	KD201K	KJ208	KJ219	BK239	DCX27#11*2	

SIRUBA GAGE PARTS LIST		Series							Remark						Page	Date
		700K													2 / 2	2016/09/19
機 型 MODEL		針板 NEEDLE PLATE	送具 FEED DOG	送具 FEED DOG	押具 PRESSER FOOT	勾 針 LOOPER	針筒 NEEDLE CLAMP	束 子 COLLER	衝 程 CRANK	衝 程 CRANK	大 心 Crankshaft	勾針連桿座 Upper Looper Holder	過線器 Bracket	下刀架 Lower Knife Holder	針 號 NEEDLE	
747K	514M5-24BK	E247	D203K	D207	H203K	P202-A	LP226	KG242K-E	KJ234K	KF203-E	KJ203-E	KD201K	KJ208	KJ219	KR209	DCX27#11#2
	514M5-24BK-1	E247	D203K	D207	H203K	P202-A	LP226	KG242K-E	KJ234K	KF203-E	KJ203-E	KD201K	KJ208	KJ219	KR209	DCX27#11#2
	514M7-24	E226	D212	D207	H210	P201-A	LP230	KG242K-E	KJ204K	KF203-E	KJ203-E	KD201KA	KJ228	KJ238	KR209	DCX27#16#2
	514M7-24BK	E247	D203K	D207	H203K	P202-A	LP230	KG242K-E	KJ204K	KF203-E	KJ203-E	KD201KA	KJ228	KJ238	KR209	DCX27#16#2
	514M7-24BK-1	E247	D203K	D207	H203K	P202-A	LP230	KG242K-E	KJ204K	KF203-E	KJ203-E	KD201KA	KJ228	KJ238	BK239	DCX27#16#2
	514M7-24TG	E226	D212	D207	H210	P254J-4A	LP230	KG242K-E	KJ204K	KF203-E	KJ203-E	KD201KA	KJ228	KJ238	KR209	DCX27#16#2
	514M7-25	E225	D212	D207	H210	P201-A	LP230	KG242K-E	KJ204K	KF203-E	KJ203-E	KD201KA	KJ228	KJ238	KR209	DCX27#16#2
	514M7-25BK	E248	D203K	D207	H203K	P202-A	LP230	KG242K-E	KJ204K	KF203-E	KJ203-E	KD201KA	KJ228	KJ238	KR209	DCX27#16#2
	514M7-25BK-1	E248	D203K	D207	H203K	P202-A	LP230	KG242K-E	KJ204K	KF203-E	KJ203-E	KD201KA	KJ228	KJ238	BK239	DCX27#16#2
	514M7-25TG	E225	D212	D207	H210	P254J-4A	LP230	KG242K-E	KJ204K	KF203-E	KJ203-E	KD201KA	KJ228	KJ238	KR209	DCX27#16#2
757K	401M1/TW	E237	D219K		H219K	P508-A	/	KG253K-E	KJ204	KF203-E	KJ206-E	KD201K	TW201		/	DCX27#14#1
	516H4-35GA	E213	D204K	D207	H205K	P508J-A	LP226	KG253K-E	KJ204	KF203-E	KJ206-E	KD201K	KJ236	KJ219	KR219	DCX27#14#2
	516H4-35GA/P	E213	D204K	D207	H205K	P508JP-A	LP226	KG253K-E	KJ204	KF203-E	KJ206-E	KD201K	KJ236	KJ219	KR219	DCX27#14#2
	516H4-55GA	E214	D205K	D207	H206K	P509J-A	LP226	KG255K-E	KJ204	KF203-E	KJ206-E	KD201K	KJ236	KJ219	KR219	DCX27#14#2
	516H4-55GA/P	E214	D205K	D207	H206K	P509JP-A	LP226	KG255K-E	KJ204	KF203-E	KJ206-E	KD201K	KJ236	KJ219	KR219	DCX27#14#2
	516L1-24	E215	D206	D207	H207	P500J-A	LP225	KG252K-E	KJ204	KF203-E	KJ206-E	KD201K	KJ236	KJ219	KR219	DCX27#14#2
	516L1-35	E216	D206	D207	H212	P504J-A	LP225	KG253K-E	KJ204	KF203-E	KJ206-E	KD201K	KJ236	KJ219	KR219	DCX27#14#2
	516M2-35	E217	D208K	D207	H208K	P504J-A	LP226	KG253K-E	KJ204	KF203-E	KJ206-E	KD201K	KJ236	KJ219	KR219	DCX27#14#2
	516M2-35PS	E227	D208K	D207	H214K	P504JS-A	LP226	KG253K-E	KJ204	KF203-E	KJ206-E	KD201K	KJ236	KJ219	KR219	DCX27#14#2
	516M2-55	E218	D208K	D207	H209K	P502J-A	LP226	KG255K-E	KJ204	KF203-E	KJ206-E	KD201K	KJ236	KJ219	KR219	DCX27#14#2
	516M2-55PS	E228	D208K	D207	H215K	P502JS-A	LP226	KG255K-E	KJ204	KF203-E	KJ206-E	KD201K	KJ236	KJ219	KR219	DCX27#14#2
	516X2-56	E234	D602	D601	H220A	P962-A	LP230	KG255K-E	KJ234K+KJ234	KF203-E	KJ206-E	KD201KA	KJ236	KJ238	KR223	DCX27#18#2
	401M2-30TA	E235	D211K	D222K	H216K	P224-A	/	KG266-E	KJ204	KF203-E	KJ206-E	KD201K	TW201		KR219	DCX27#14#2
	401M2-50TA	E238	D211K	D222K	H216K	P223-A	/	KG256K-E	KJ204	KF203-E	KJ206-E	KD201K	TW201		KR219	DCX27#14#2
767K	516M2-324	E219	D208K	D207	H209K	P233J-A	LP226	KG433K-E	KJ234K	KF203-E	KJ203-E	KD201K	KJ208	KJ219	KR219	DCX27#11#3
	516M2-524	E224	D208K	D207	H209K	P255J-A	LP226	KG455K-E	KJ234K	KF203-E	KJ203-E	KD201K	KJ208	KJ219	KR219	DCX27#11#3

SIRUBA GAGE PARTS LIST		Series					Remark								Page	Date
		700K/700KT					FOR BKF								1 / 1	2015/08/22
																
機 型 Model		針板 Needle Plate	送具 Feed Dog		送具 Feed Dog	押具 Presser Foot	上送具 Top Feed Dog	衝程 Crank	大心 Crank Shaft	針鎖 Needle Clamp	束子 Coller	勾針連桿座 Upper Looper Holder	上勾針 Upper Looper	下勾針 Lower Looper	針 Needle	
737K	504M5-03/BKF	E263	D210	D217	H204	P202-5A	-	KJ206-E	KD201K	KG231K-E	KJ204	KJ236	LP225	KL202	DCX27#11	
	504M5-04/BKF	E264	D210	D217	H204	P202-5A	-	KJ206-E	KD201K	KG231K-E	KJ204	KJ236	LP225	KL202	DCX27#11	
	504M5-05/BKF	E265	D210	D217	H204	P202-5A	-	KJ206-E	KD201K	KG231K-E	KJ204	KJ236	LP225	KL202	DCX27#11	
747K	514M5-23/BKF	E248K	D203	D217	H240	P202-3A	-	KJ203-E	KD201K	KG242K-E	KJ234K	KJ208	LP226	KL202	DCX27#11*2	
	514M5-24/BKF	E247K	D203	D217	H240	P202-4A	-	KJ203-E	KD201K	KG242K-E	KJ234K	KJ208	LP226	KL202	DCX27#11*2	
747KT	514H-3-23/BKF	E248K	D203	D217	H240	P606-A	D554	KJ203-E	KD201KA	KG242K-E	KJ234K	KJ208	LP227	KL202	DCX27#11*2	
	514H-3-24/BKF	E247K	D203	D217	H240	P607-A	D554	KJ203-E	KD201KA	KG242K-E	KJ234K	KJ208	LP227	KL202	DCX27#11*2	

SIRUBA

PARTS LIST

Series

**700K/700KD
988/988D**

Parts Group

KA

Subclass / Remark

***: Use for
700KD/988D**

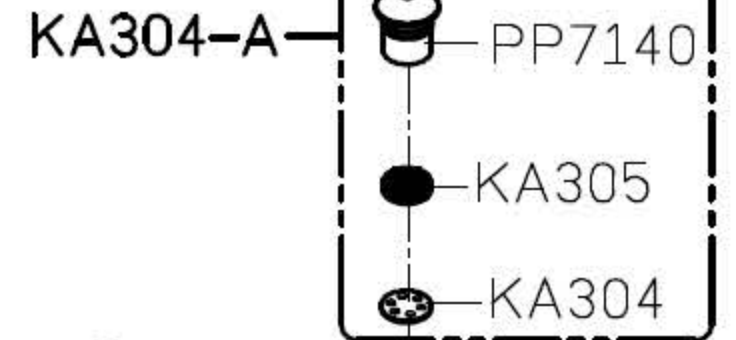
Page

1/1

Date

2016/05/26

MODEL	700K/KD	988/988D
PARTS NO	KC230	KC231



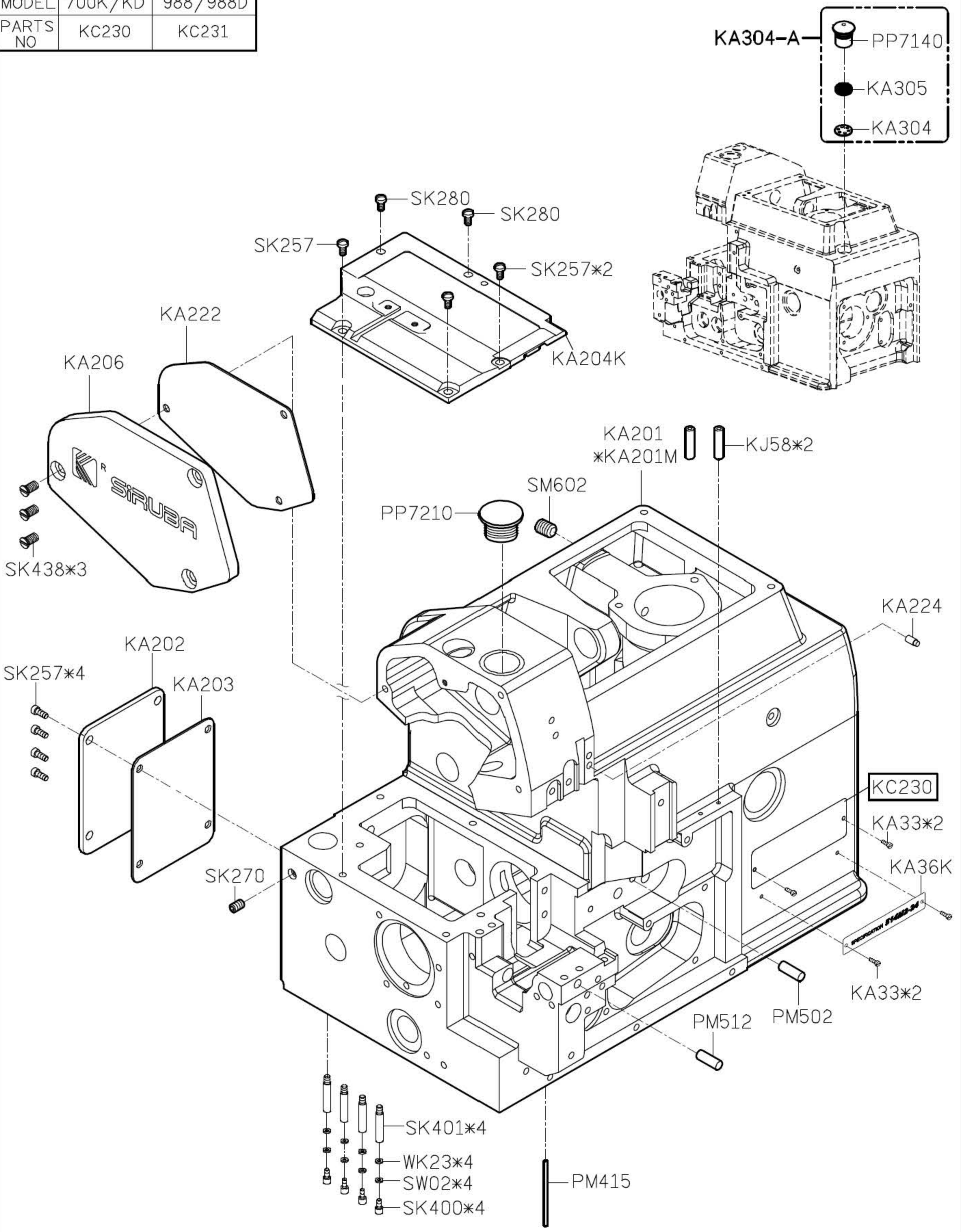
A

B

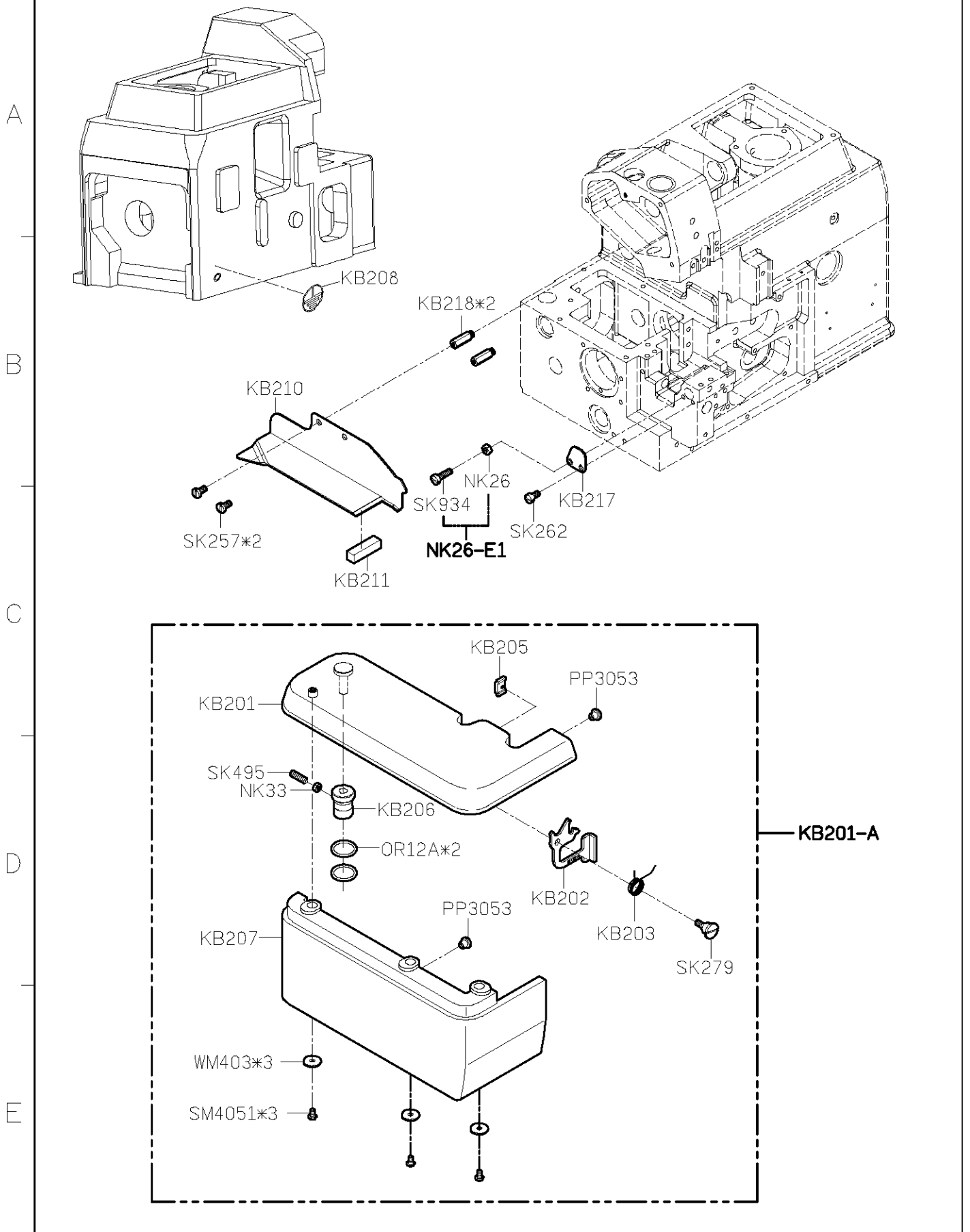
C

D

E



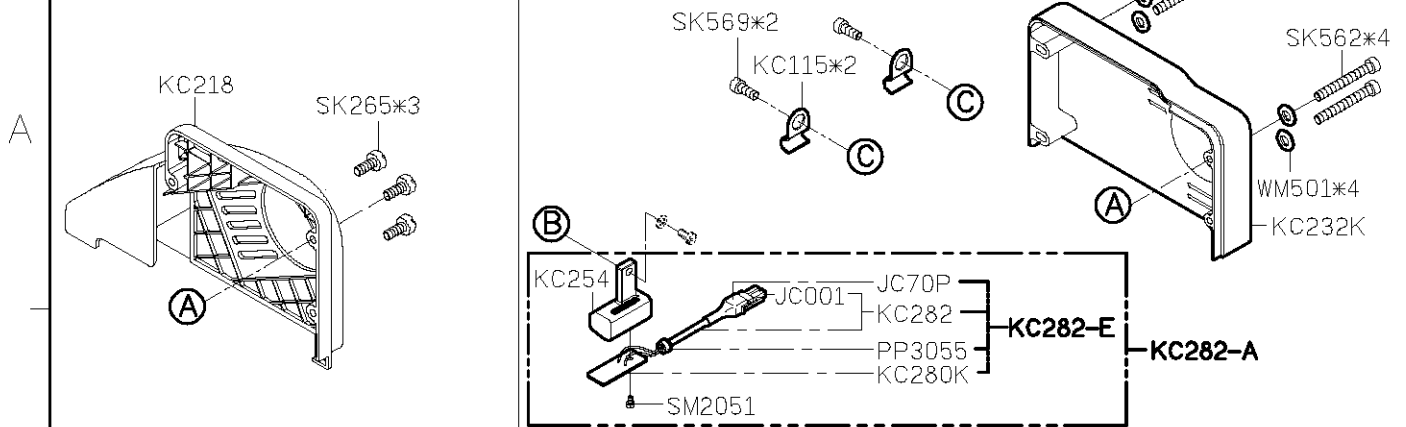
SIRUBA PARTS LIST	Series	Parts Group	Subclass / Remark	Page
	700K/700KD 988/988D	KB		1/1
				Date
				2014/08/23



1 2 3 4 5

FOR 700K/988

FOR 700KD/988D



MODEL	700K	700KD	988	988D
PARTS NO	KC38J	KC38J	KC38C	KC38DC
	SK262	SK265	SK265	SK265

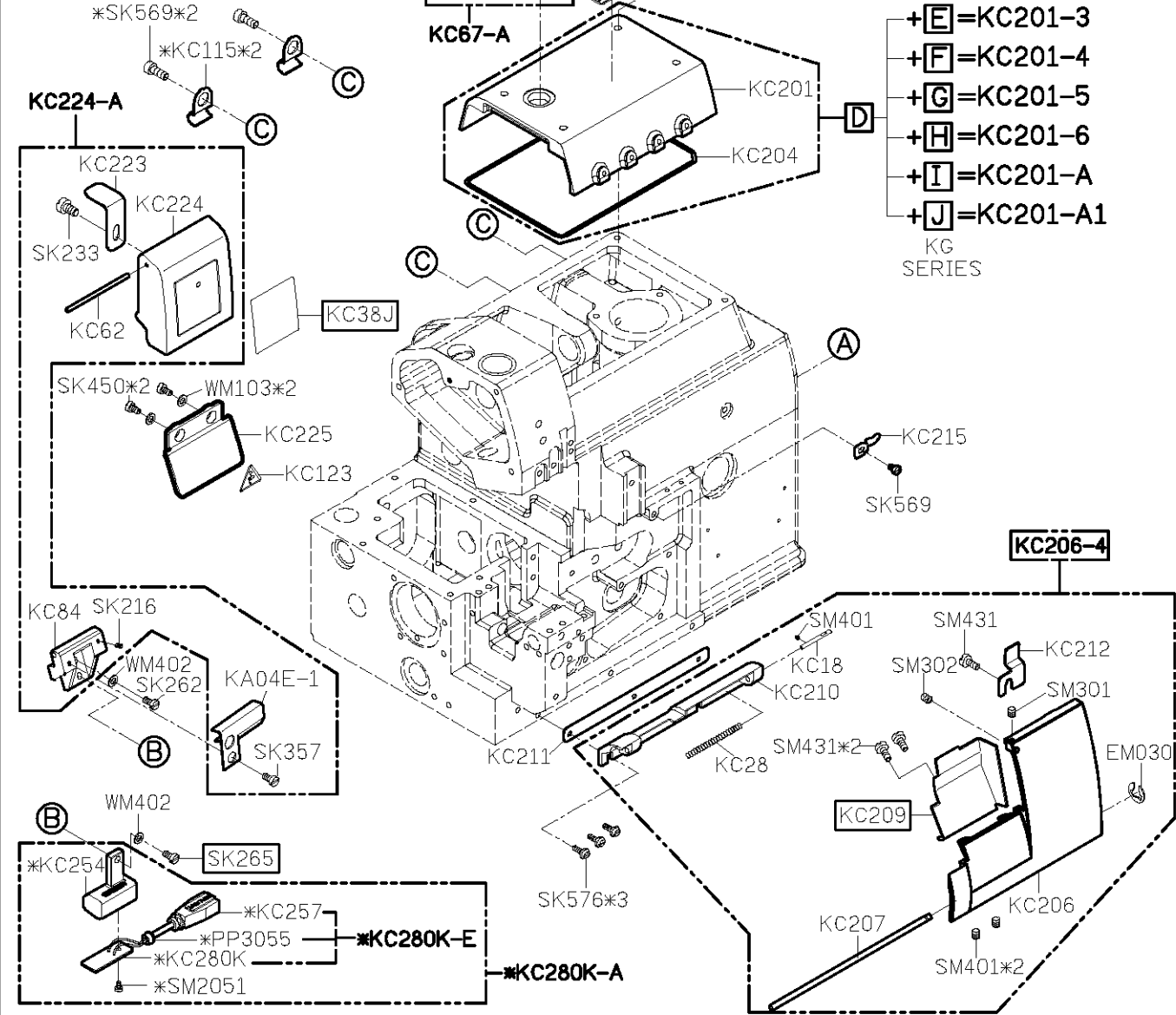
MODEL	#3/#4	#5/#6
PARTS NO	KC209	KC219
	KC206-4	KC206-5

B

C

D

E



- +E=KC201-3
 - +F=KC201-4
 - +G=KC201-5
 - +H=KC201-6
 - +I=KC201-A
 - +J=KC201-A1
- KG SERIES

1 2 3 4 5

SIRUBA PARTS LIST	Series		Parts Group	Subclass / Remark	Page
	700K/700KD 988/988D		KD	<input type="checkbox"/> FOR H MOTOR <input type="checkbox"/> FOR Y MOTOR	1/2
					Date
					2015/03/10

MODEL	#3/#4	#5/#6
	KD204	KD217
PARTS NO	SM603B	KD220
	SK241*3	SK539*2 SK872*1

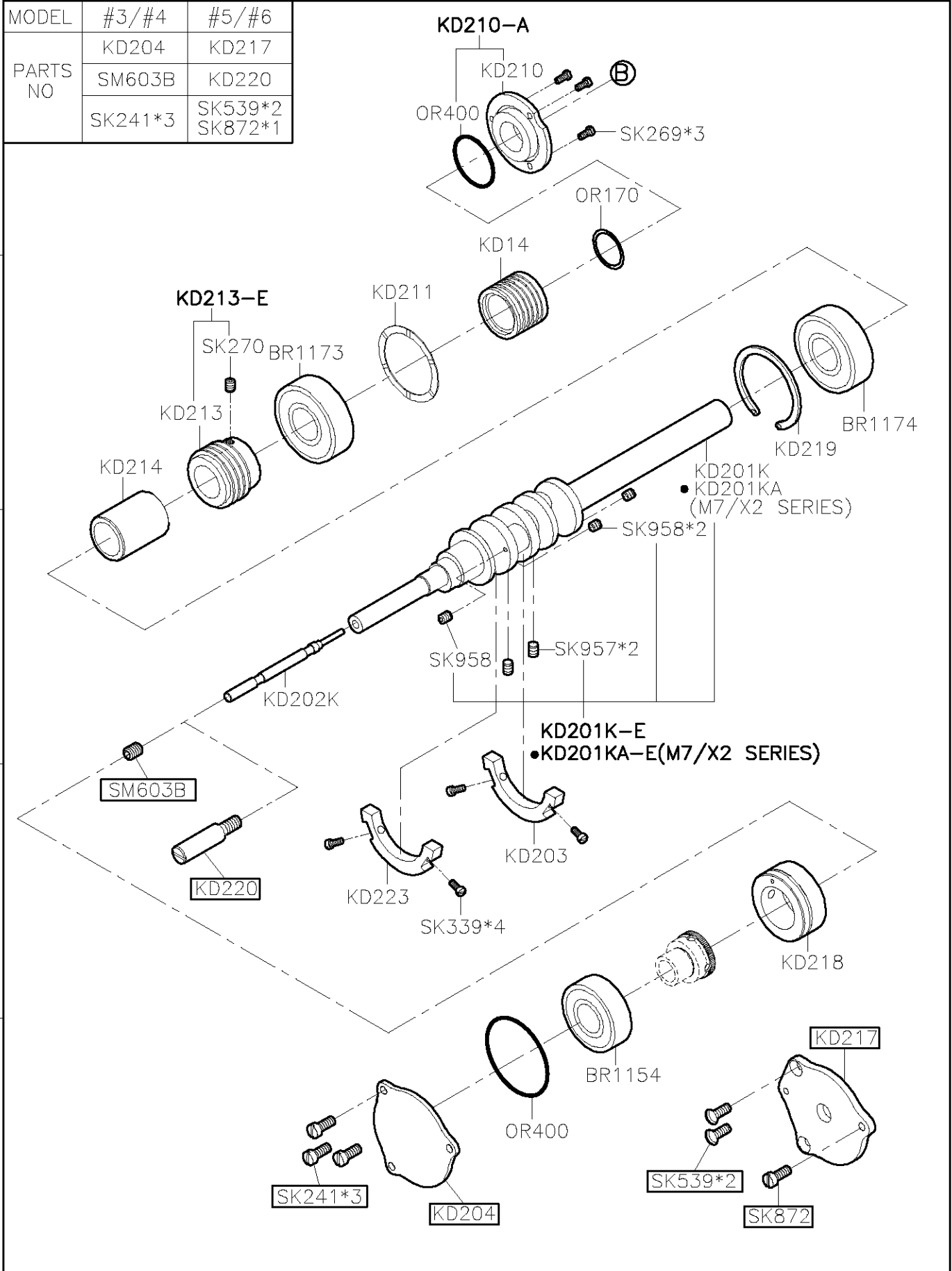
A

B

C

D

E



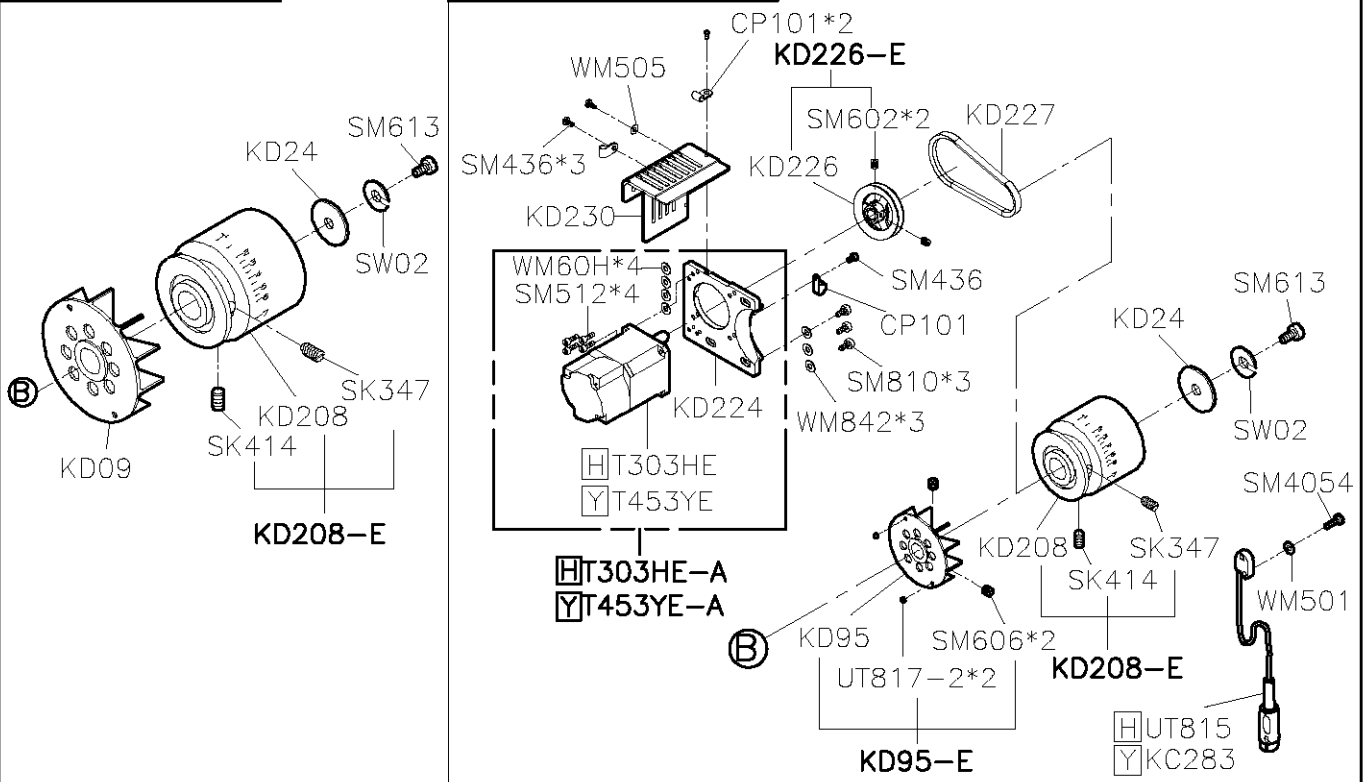
SIRUBA PARTS LIST	Series	Parts Group	Subclass / Remark	Page
	700K/700KD 988/988D	KD	<input type="checkbox"/> FOR H MOTOR <input type="checkbox"/> FOR Y MOTOR	2/2
				Date
				2015/03/31

FOR 700K/988

FOR 700KD/988D

A

B

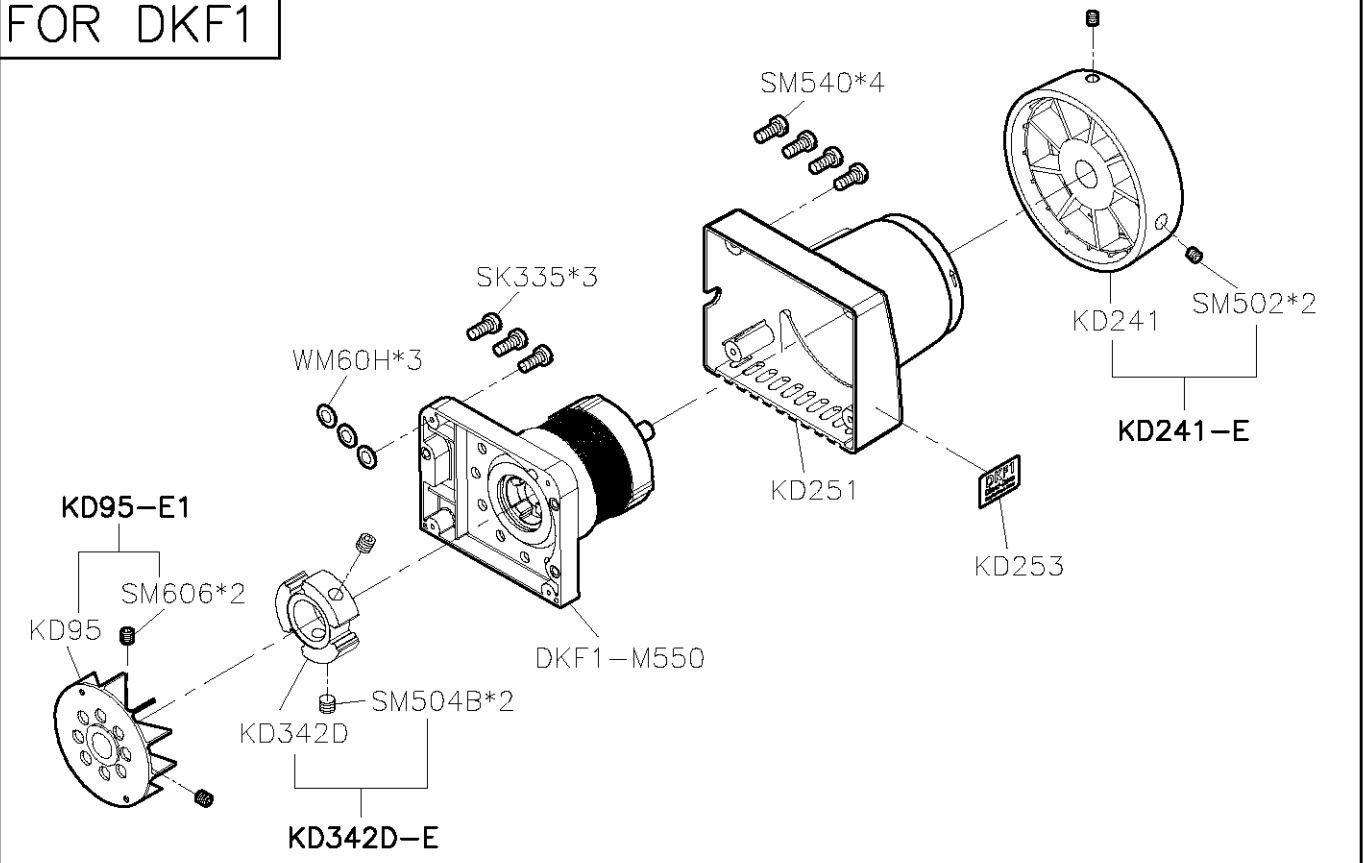


C

FOR DKF1

D

E



SIRUBA PARTS LIST	Series	Parts Group	Subclass / Remark	Page
	700K/700KD	KF		1/1
	988/988D			Date
				2015/04/22

MODEL	一般機型	X2-56 M7
PARTS NO	KF96	KF224
	KF96-C2	KF224-C

A

B

C

D

E

KF311-C
●KF311-C1(512 SERIES)

KF203-E
●KF215-E(512 SERIES)

KF21-E

KF203
●KF215(512 SERIES)

KF96-C2

KF95-E

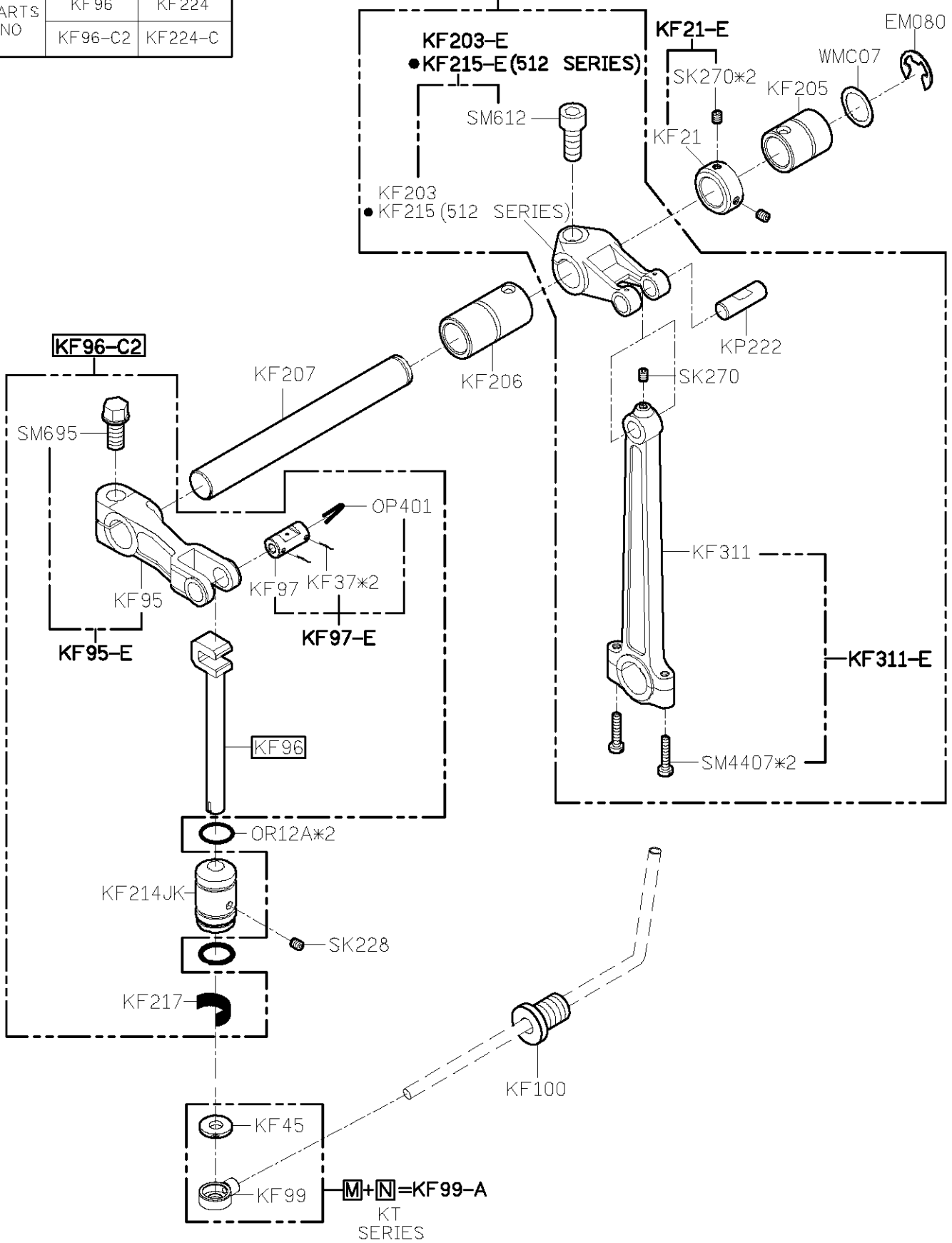
KF97-E

KF214JK

KF217

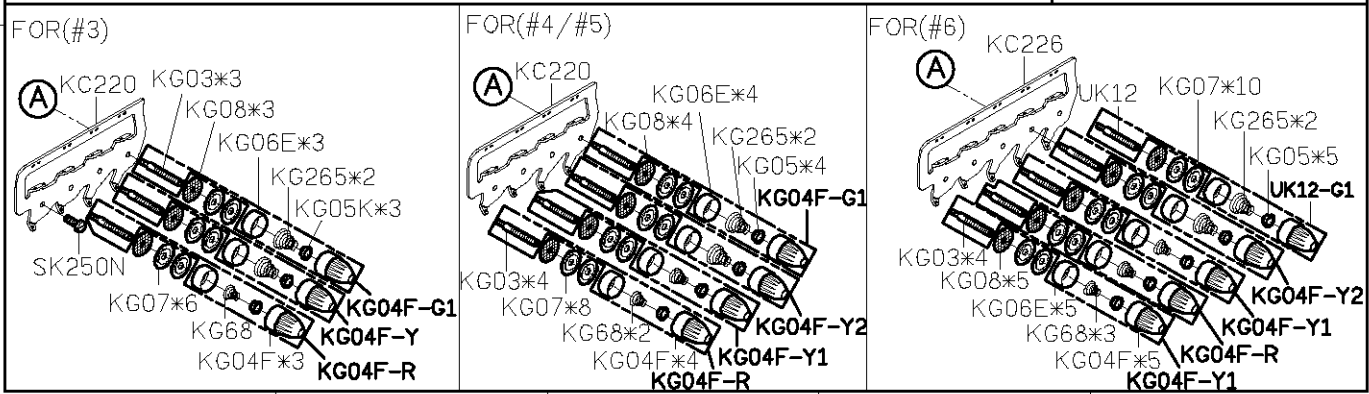
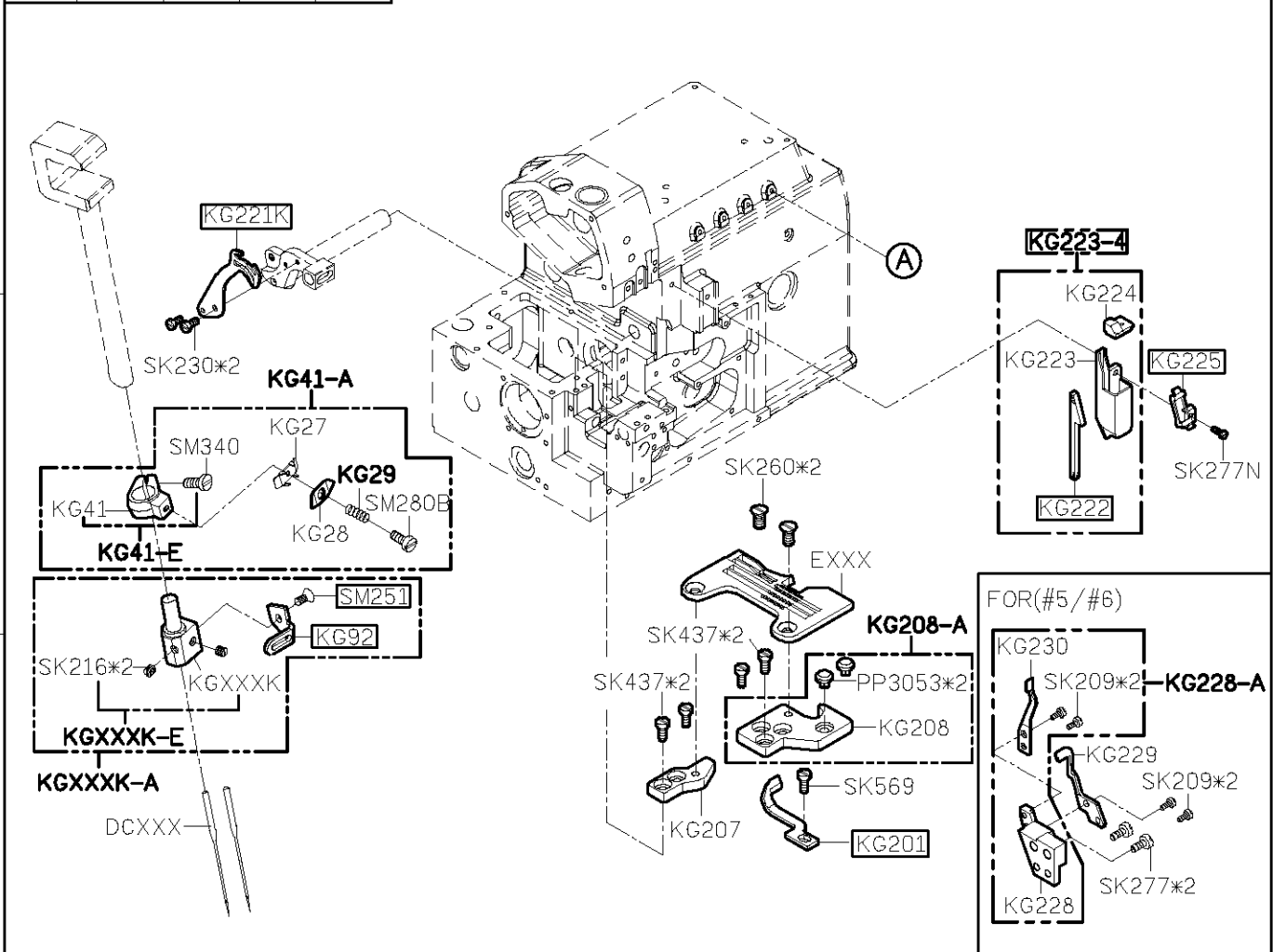
KF45
KF99

M+N=KF99-A
KT
SERIES



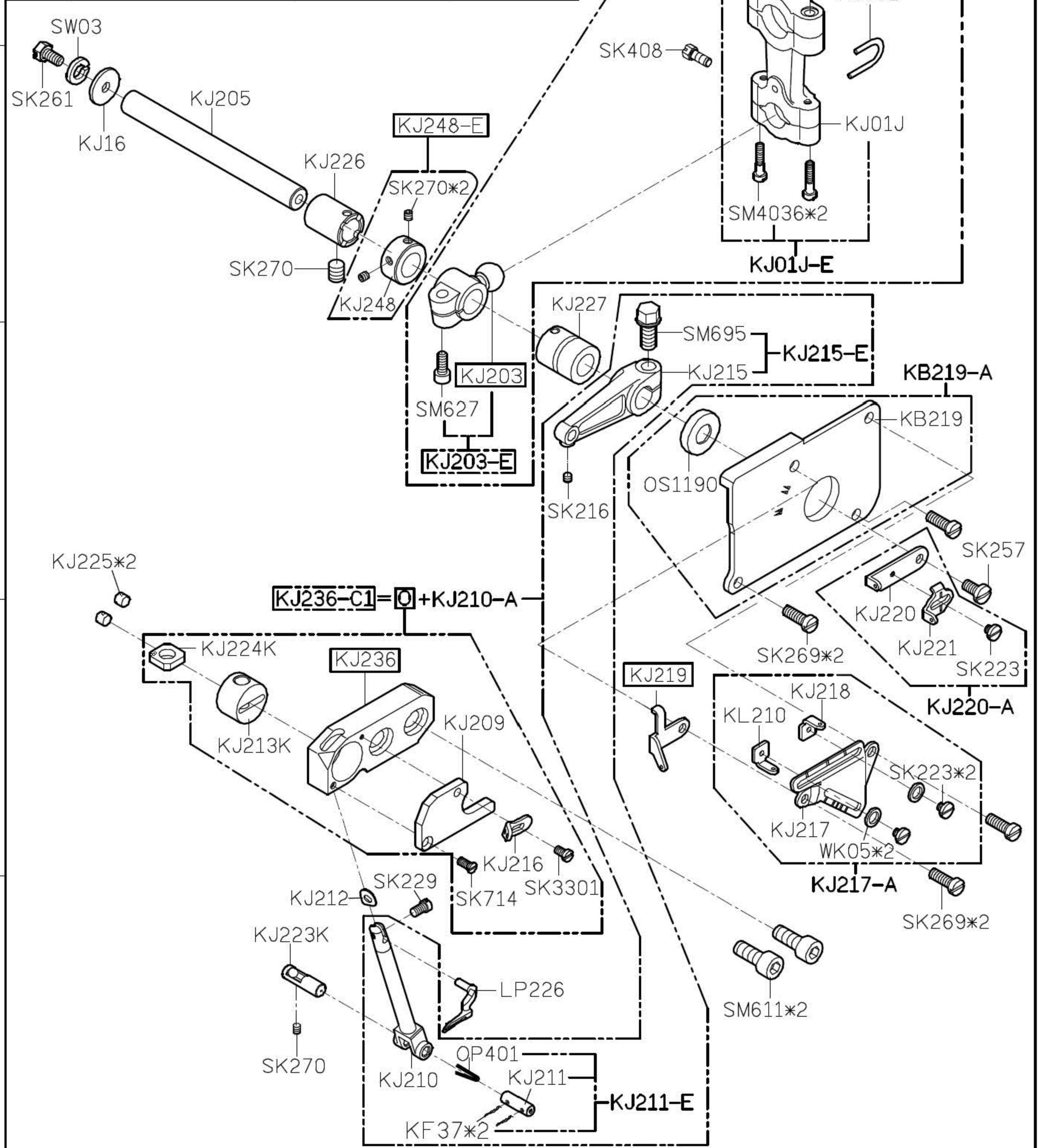
SIRUBA PARTS LIST	Series				Parts Group	Subclass / Remark	Page
	700K/700KD				KG		1/1
	988/988D						Date
							2015/02/02

MODEL	#3	#4	#5	#6	FOR(#3/#4)	FOR(#5/#6)
PARTS NO	KG262	KG211K	KG262	KG211K		
	KG248	KG213K	KG239	KG246		
	KG250K	KG221K	KG243K	KG251K		
	KG222	KG222	KG245	KG245		
	KG225	KG225	KG261	KG261		
	KG201	KG201	KG244	KG244		
	KG93	KG92	KG94	KG94		
	SK216	SK216	SK216*2	SK216*2		
	SK250N	SK250N	SK250N*2	SK250N*2		
	SK437N	SK437N	SK569	SK569		
	SM251	SM251	SM250	SM250		
	KG212-3	KG212-4	KG241-5	KG241-6		
	KG223-4	KG223-4	KG223-5	KG223-5		



SIRUBA PARTS LIST	Series			Parts Group	Subclass / Remark	Page
	700K/700KD 988/988D			KJ		1/1
						Date
						2016/05/05

MODEL	#3/#5	#4/#6	#4 M7/M2-28	#5 X2
PARTS NO	KJ247-E	KJ246-E	KJ248-E	KJ246-E+KJ234
	KJ206	KJ203	KJ203	KJ206
	KJ206-E	KJ203-E	KJ203-E	KJ206-E
	KJ206-C	KJ203-C	KJ203-C	KJ206-C
	KJ236	KJ208	KJ228	KJ236
	KJ236-C1	KJ208-C1	KJ228-C1	KJ236-C1
	KJ219		KJ238	KJ238



1 2 3 4 5

SIRUBA PARTS LIST	Series		Parts Group	Subclass / Remark	Page
	700K/700KD 988/988D		KL		1/1
					Date
					2016/05/05

MODEL	#3/#4	#5/#6	M7/X2 SERIES
PARTS NO	KL202		KL202A
	KL211-A		KL211-A1
	KL205	KL209	
		SK270	
	KL205-E	KL209-E	
	KL205-C	KL209-C	

KL KL KM
SERIES SERIES SERIES
P+R+S=KL209-C

KL KL
SERIES SERIES
P+Q=KL205-C

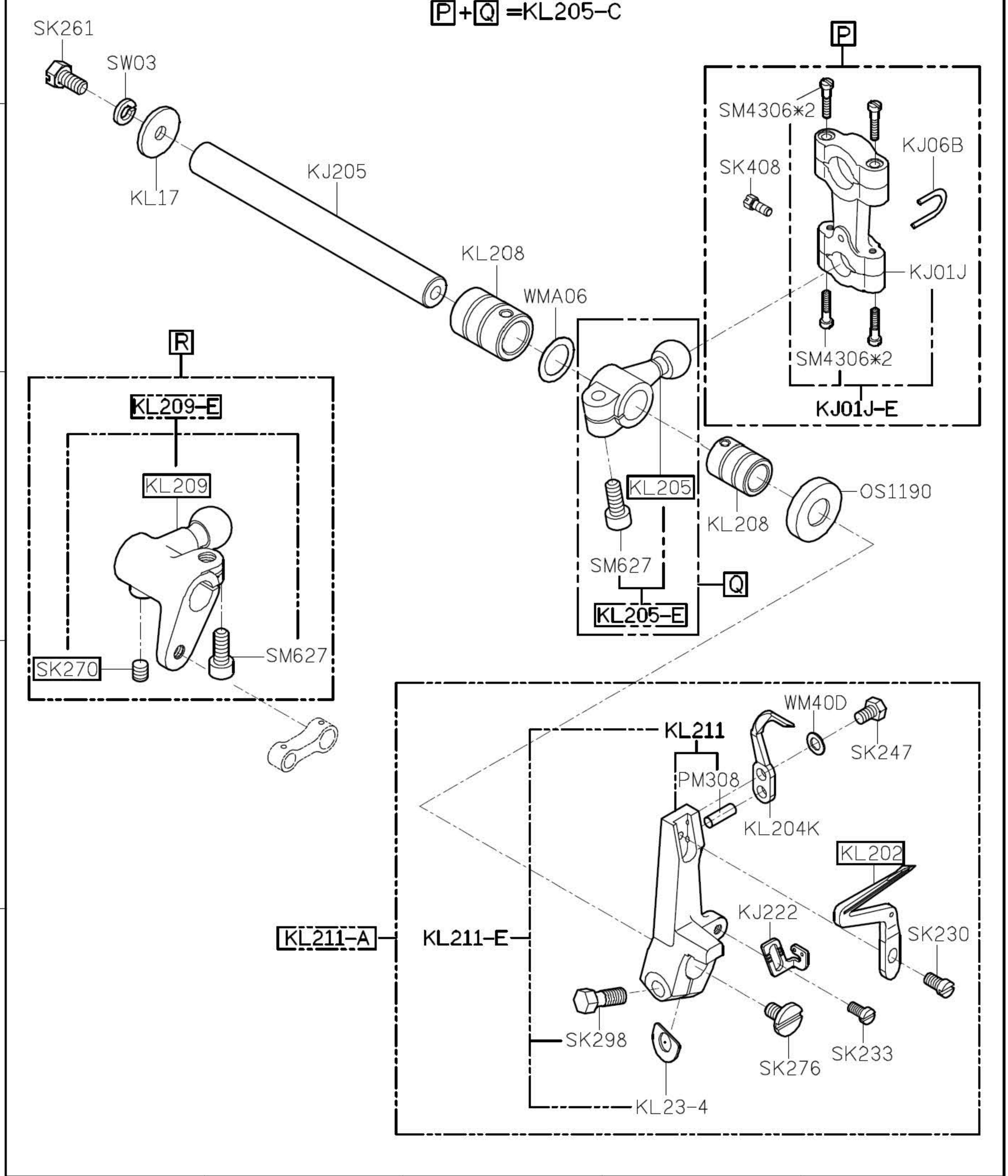
A

B

C

D

E



SiRUBA PARTS LIST	Series	Parts Group	Subclass / Remark	Page
	700K/700KD	KM		1/1
	988/988D			Date
				2014/04/21

A

 $\boxed{S} + \boxed{R} + \boxed{P} = \text{KL209-C}$

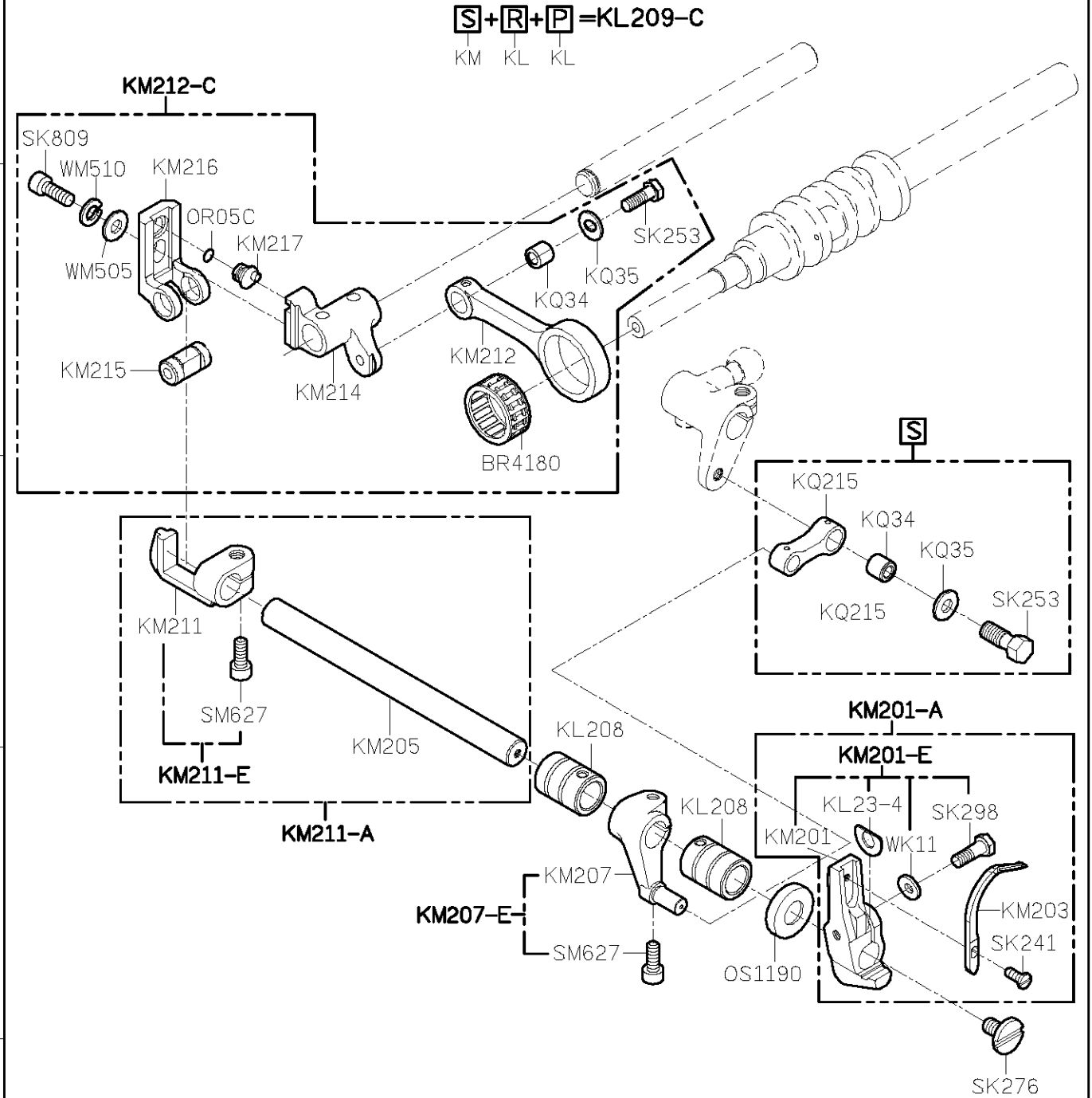
KM KL KL

B

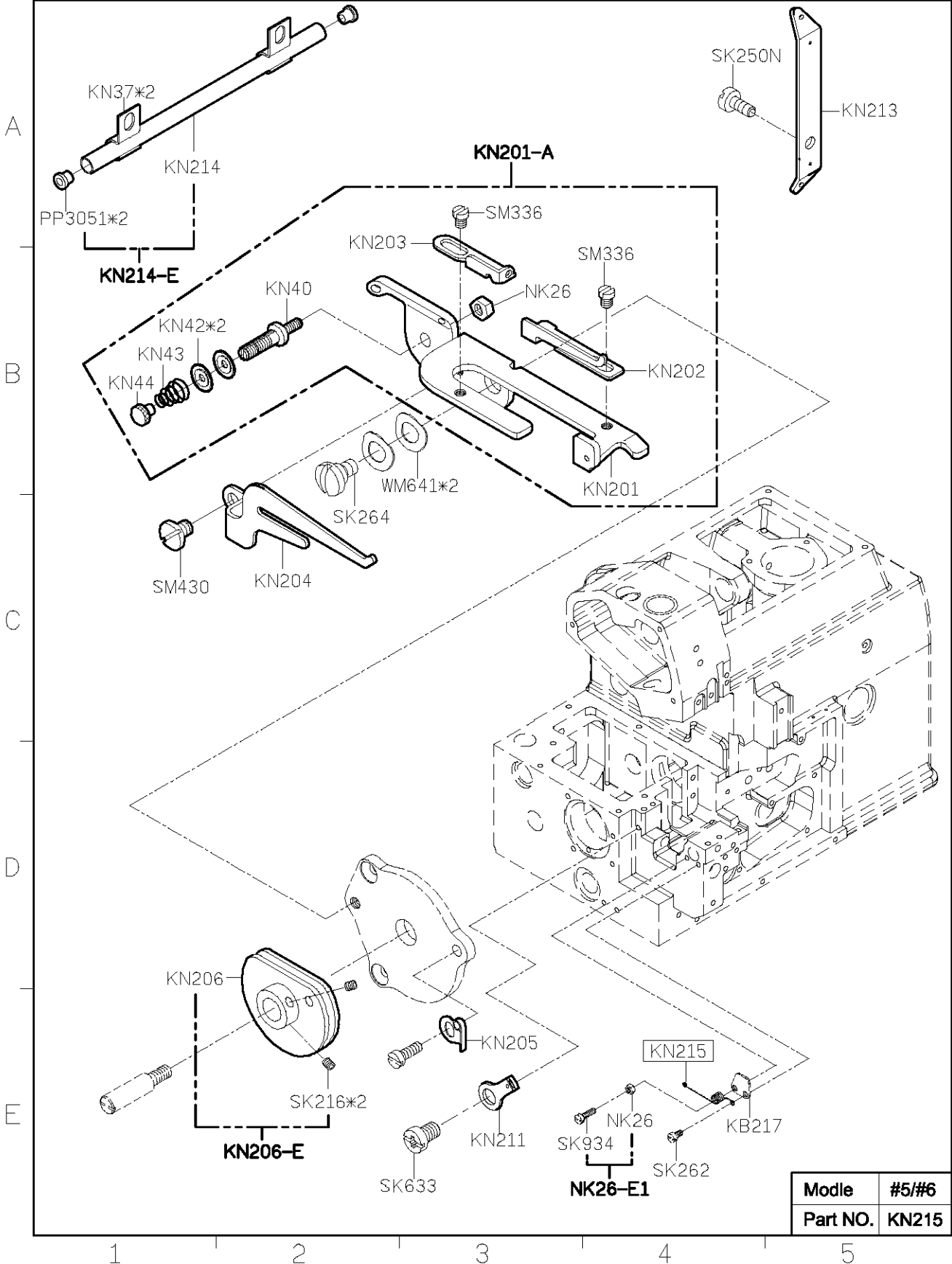
C

D

E



SIRUBA PARTS LIST	Series	Parts Group	Subclass / Remark	Page
	700K/700KD	KN		1/1
	988/988D			Date
				2012/09/16



SIRUBA PARTS LIST	Series	Parts Group	Subclass / Remark	Page
	700K/700KD	KP		1/1
	988/988D			Date
				2014/01/15

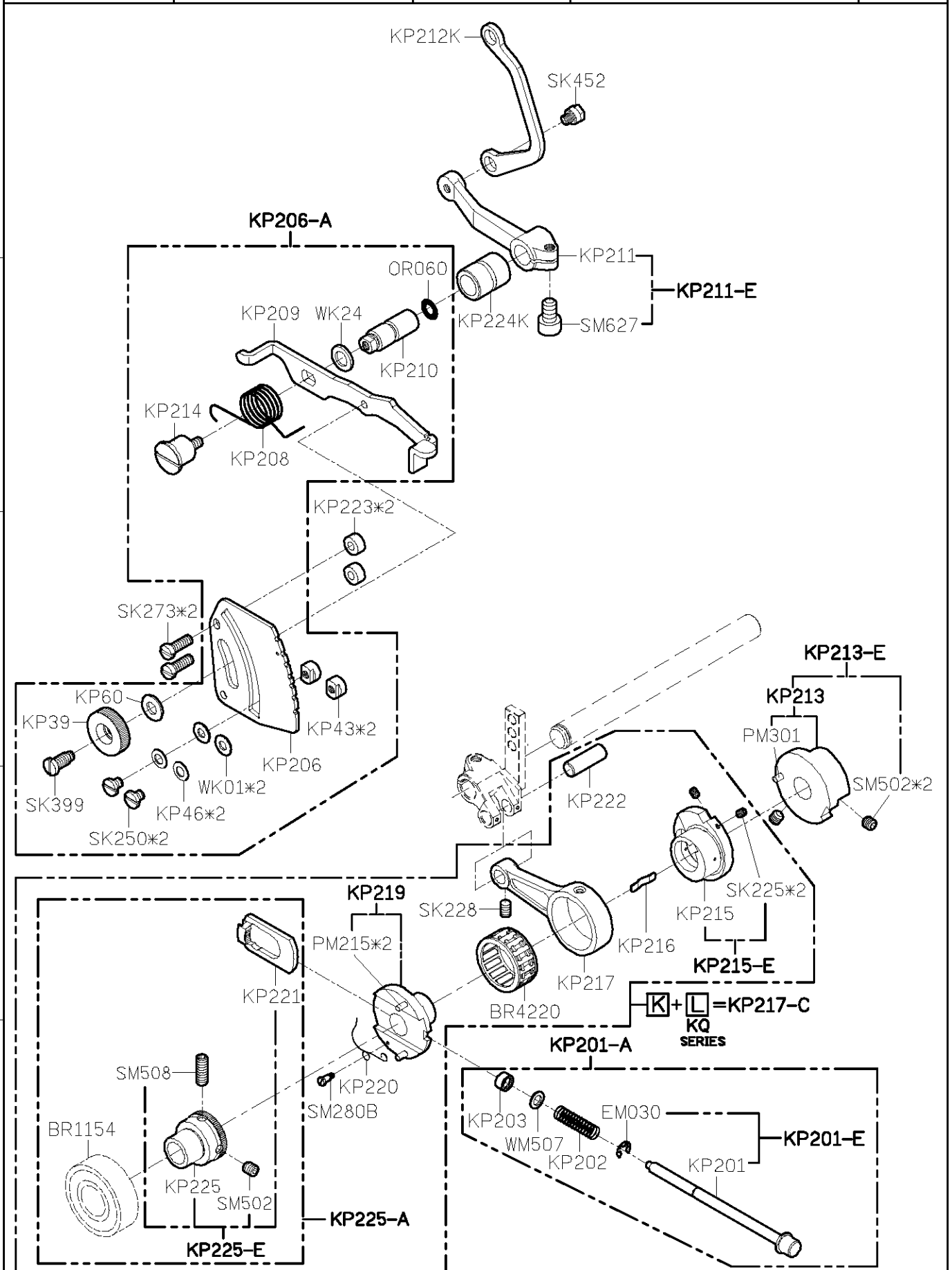
A

B

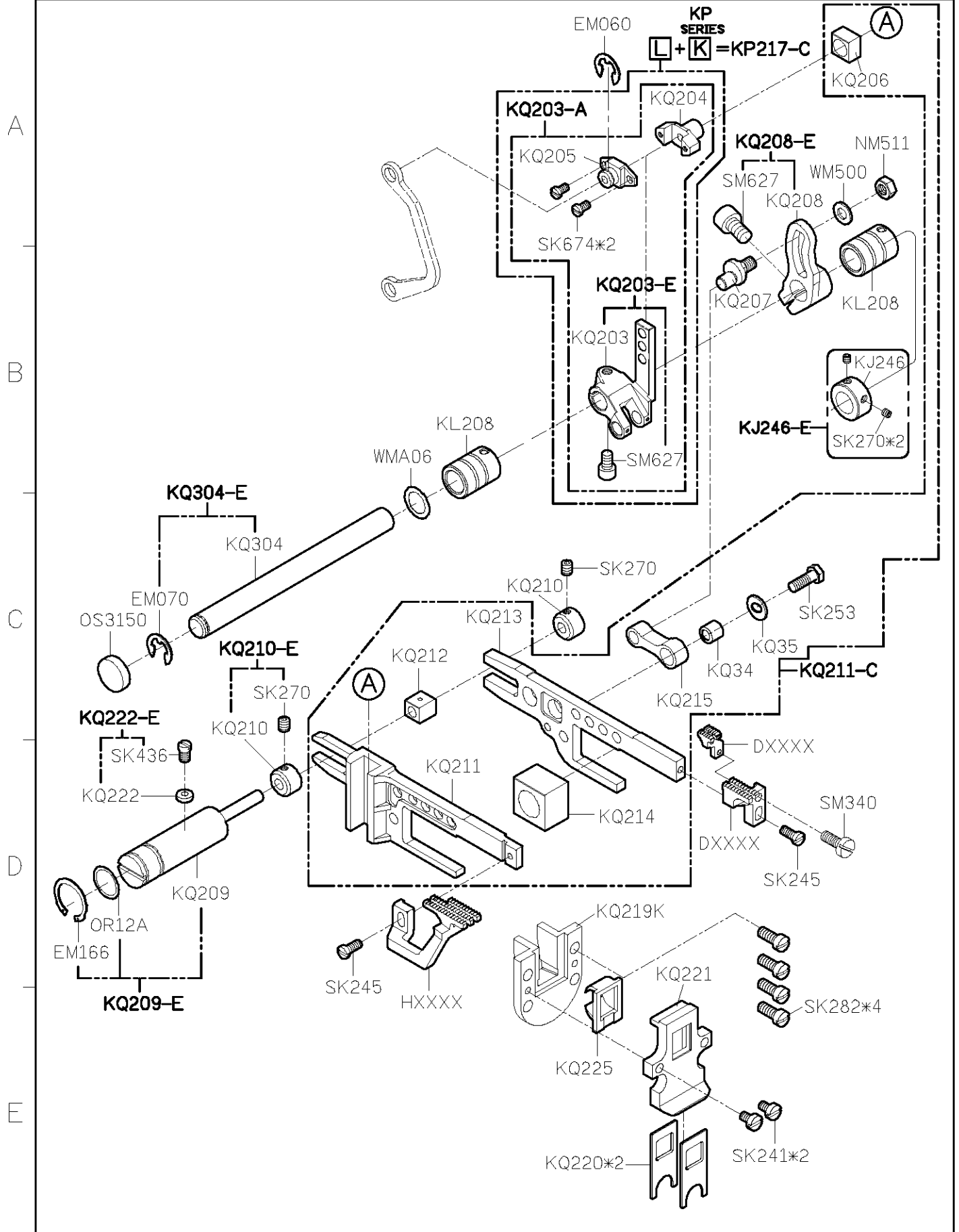
C

D

E



SIRUBA PARTS LIST	Series	Parts Group	Subclass / Remark	Page
	700K/700KD	KQ		1/1
	988/988D			Date
				2014/09/04



SIRUBA PARTS LIST	Series		Parts Group	Subclass / Remark	Page
	700K/700KD 988/988D		KR		1/1
					Date
					2014/06/26

MODEL	#3/#4	#5/#6	#5 X2
	KR202	KR218	KR218
	KR202-E	KR218-E	KR218-E
	KR311-C	KR311-C1	KR311-C1
PARTS NO	KR206	KR221	KR221
	KR206-A	KR221-A	KR221-A1
	KR209	KR219	KR223
	KR209-A	KR219-A	KR223-A

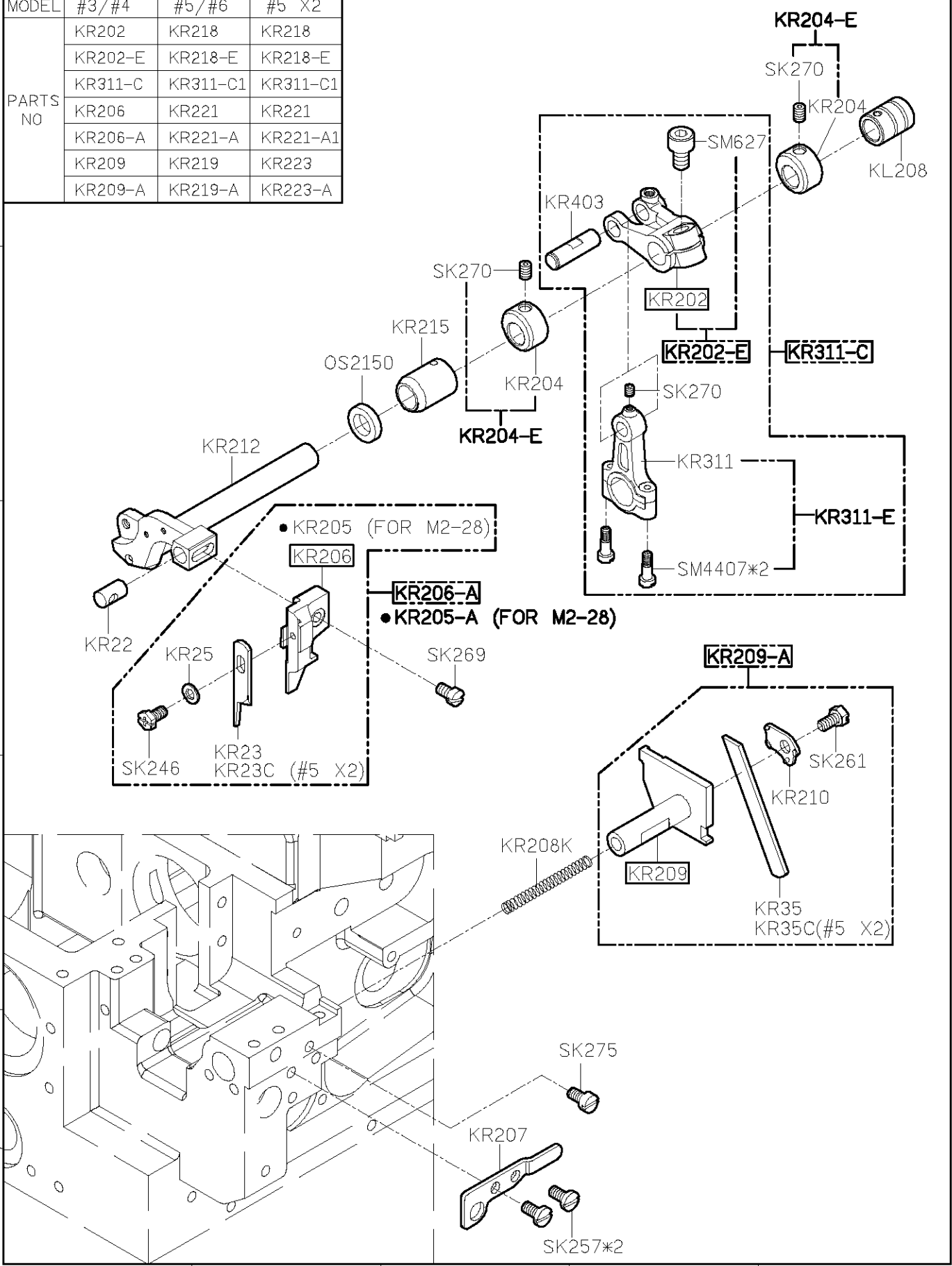
A

B

C

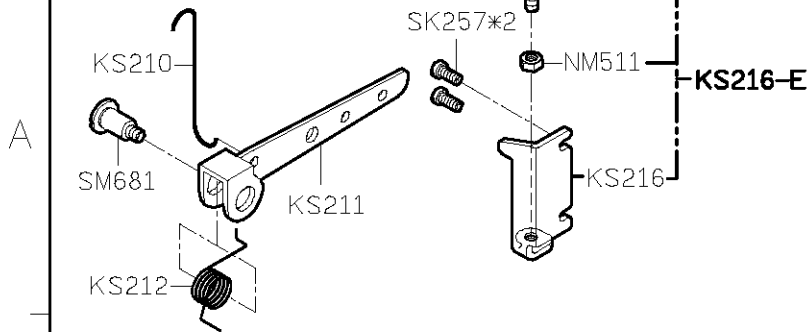
D

E

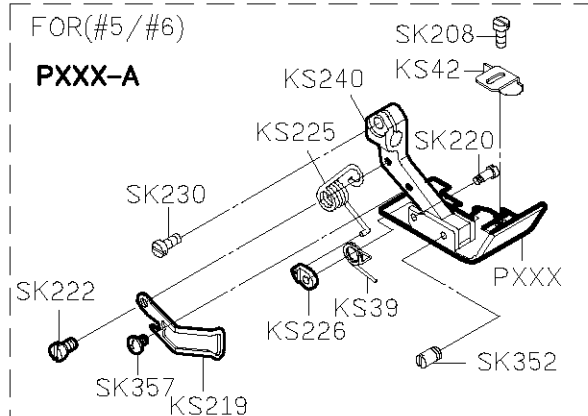
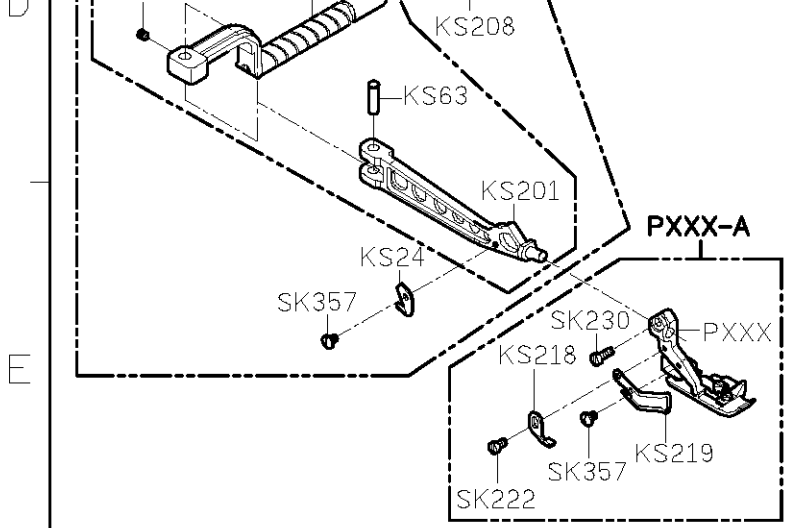
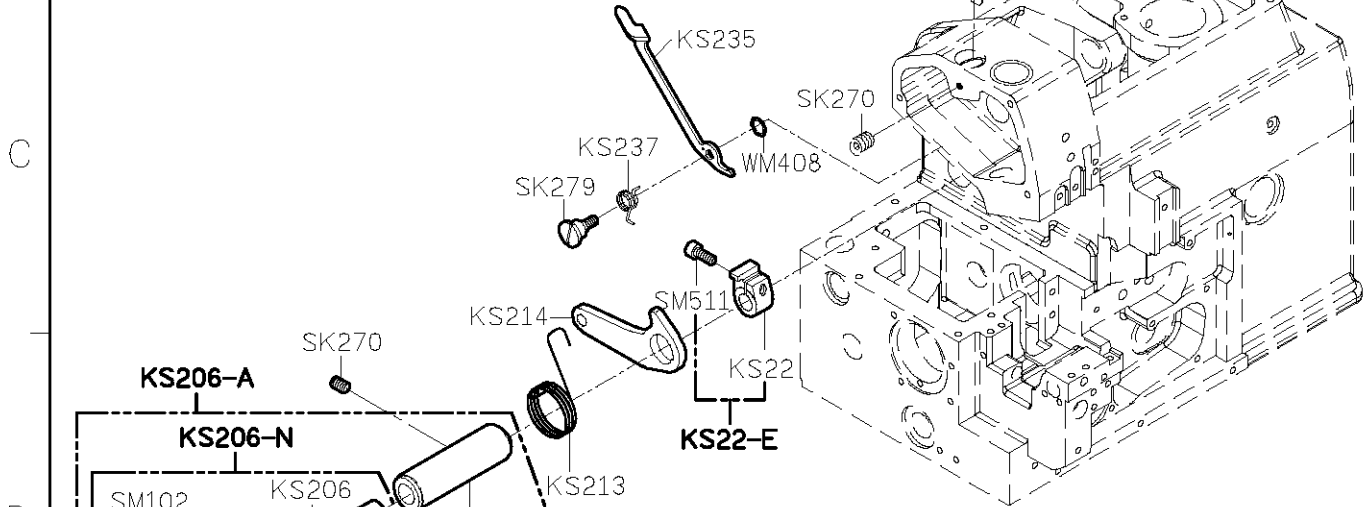
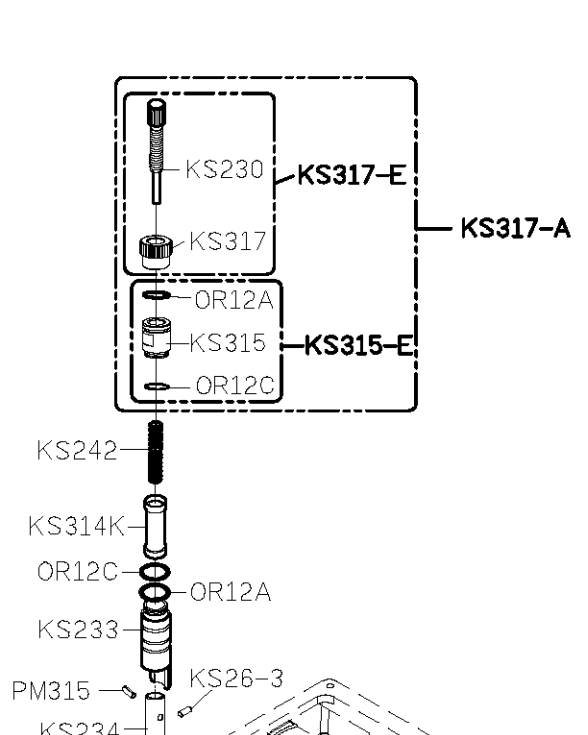
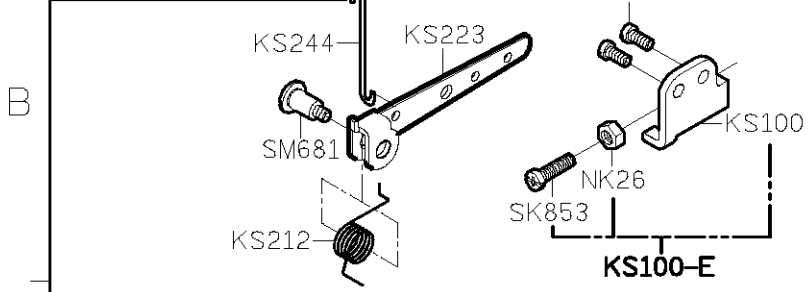


SIRUBA PARTS LIST	Series	Parts Group	Subclass / Remark	Page
	700K/700KD	KS		1/1
	988/988D			Date
				2015/03/25

FOR 700K/988

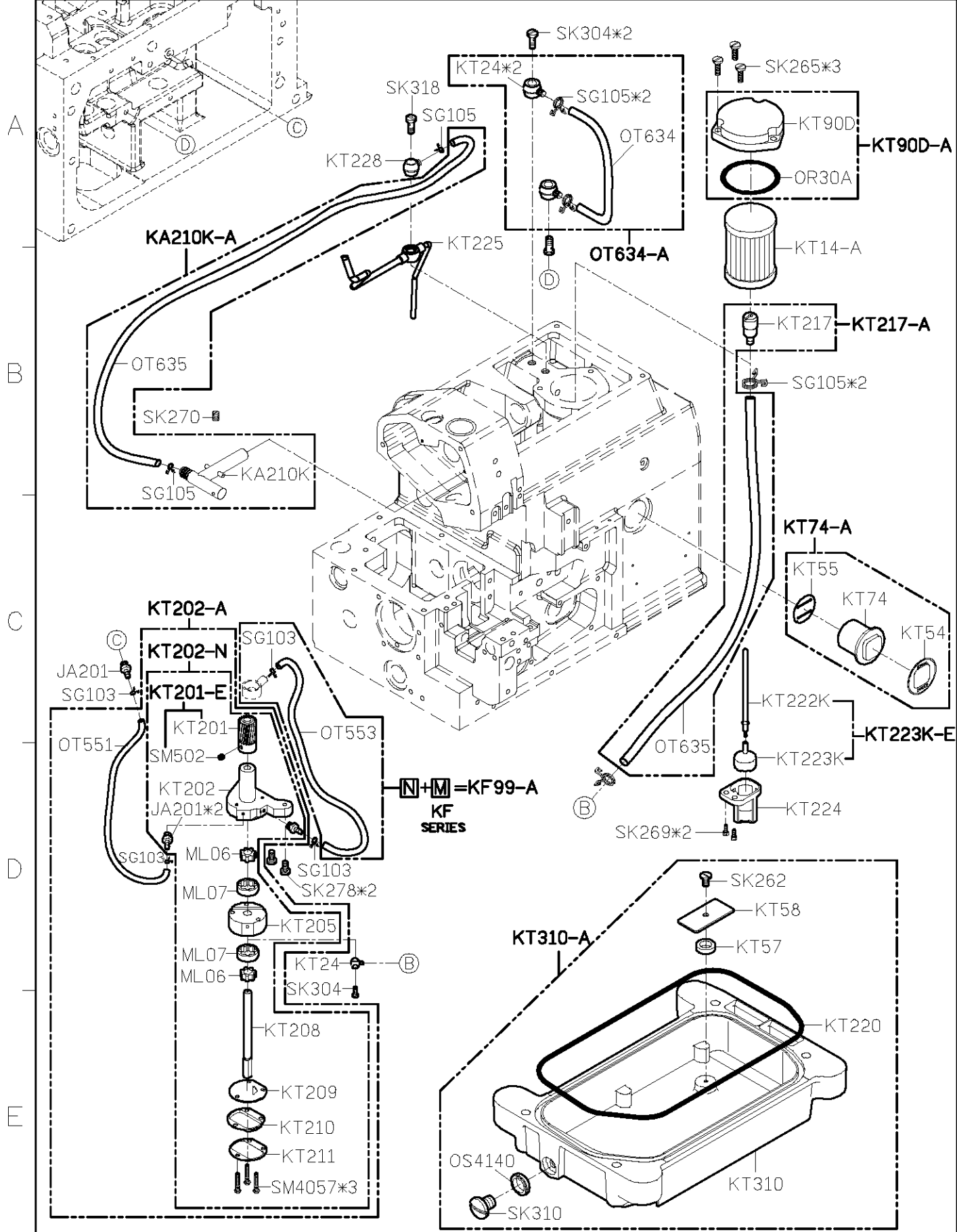


FOR 700KD/988D



1 2 3 4 5

SIRUBA PARTS LIST	Series	Parts Group	Subclass / Remark	Page
	700K/700KD	KT		1/1
	988/988D			Date
				2014/12/10



SIRUBA PARTS LIST	Series	Parts Group	Subclass / Remark	Page
	700K/700KD	KU		1/1
	988/988D			Date
				2015/11/18

MODEL	#3/#4	#5/#6
PARTS NO	KU40	KU39
	KU220-4	KU220-5
	KU207	KU209
	KU206	KU211
	KU201-4	KU201-5
	SK277	SK437

KU60-A
(FOR 505F1-04)

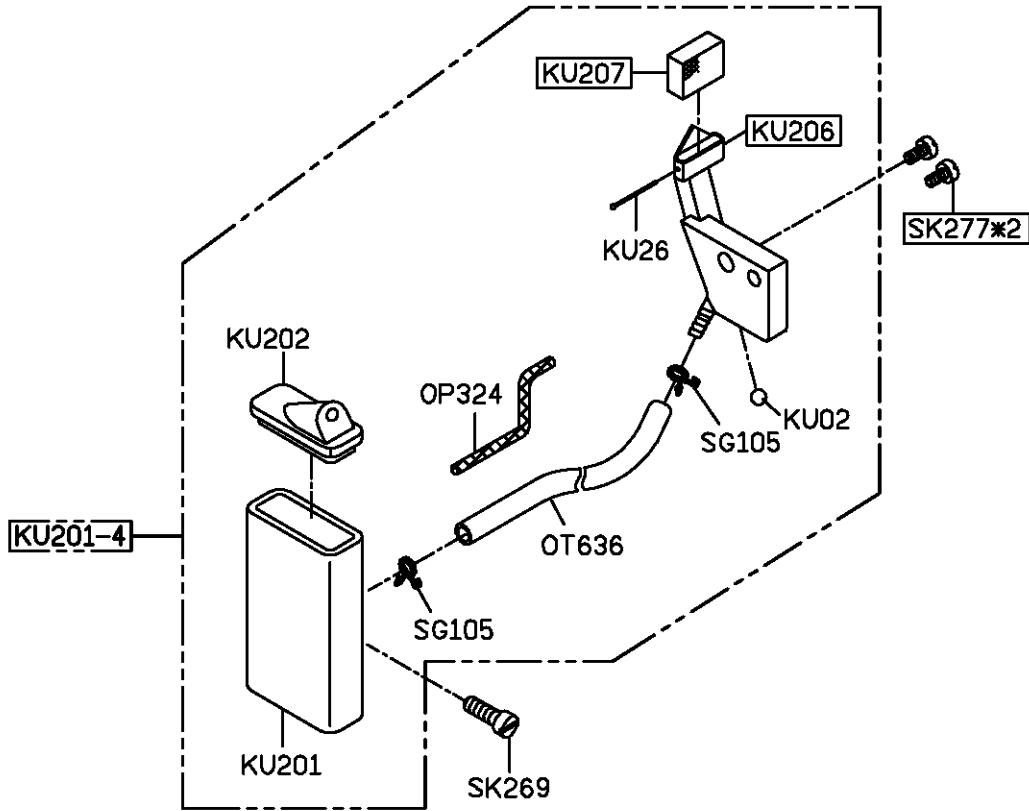
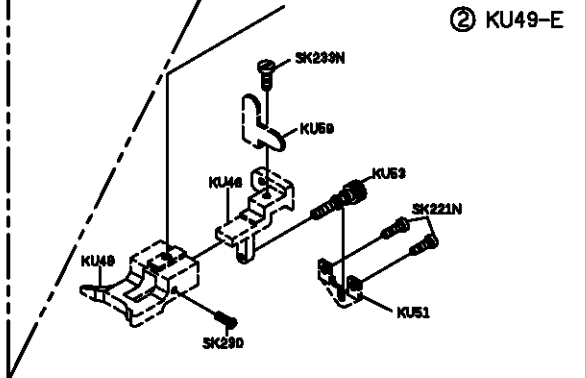
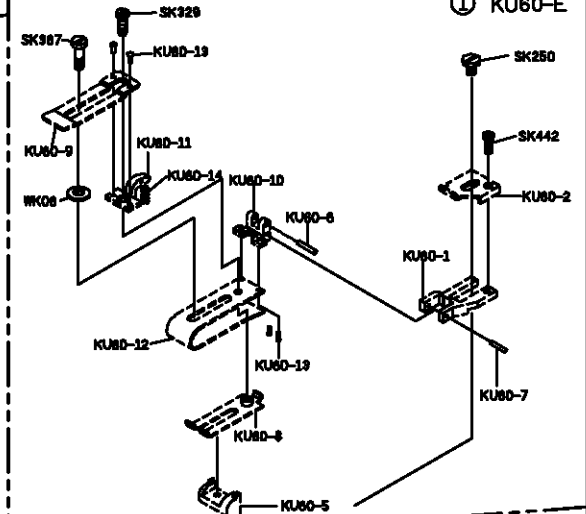
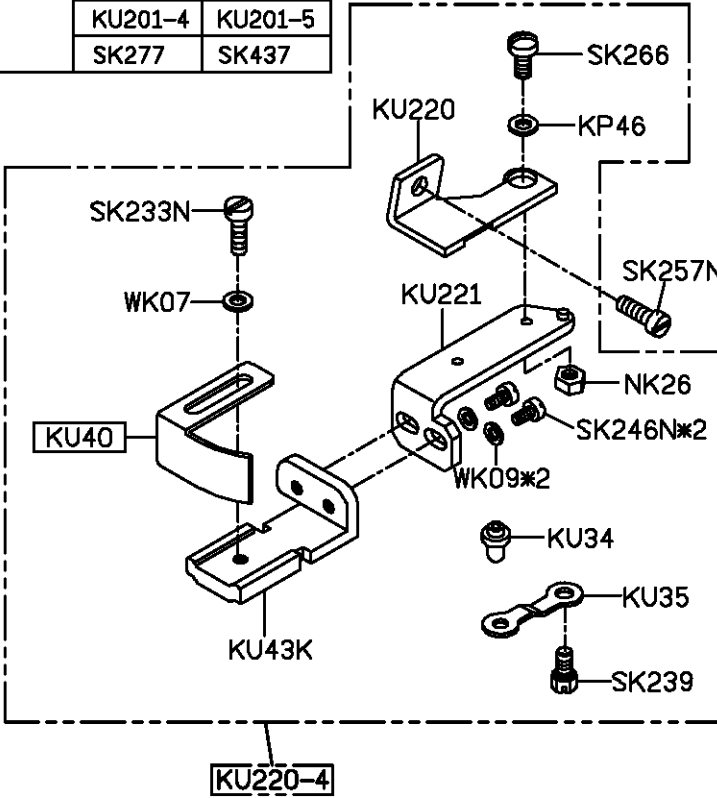
A

B

C

D

E



SIRUBA PARTS LIST	Series	Parts Group	Subclass / Remark	Page
	700K/700KD 988/988D	KW		1/4
				Date
				2015/09/15

KW40E-3

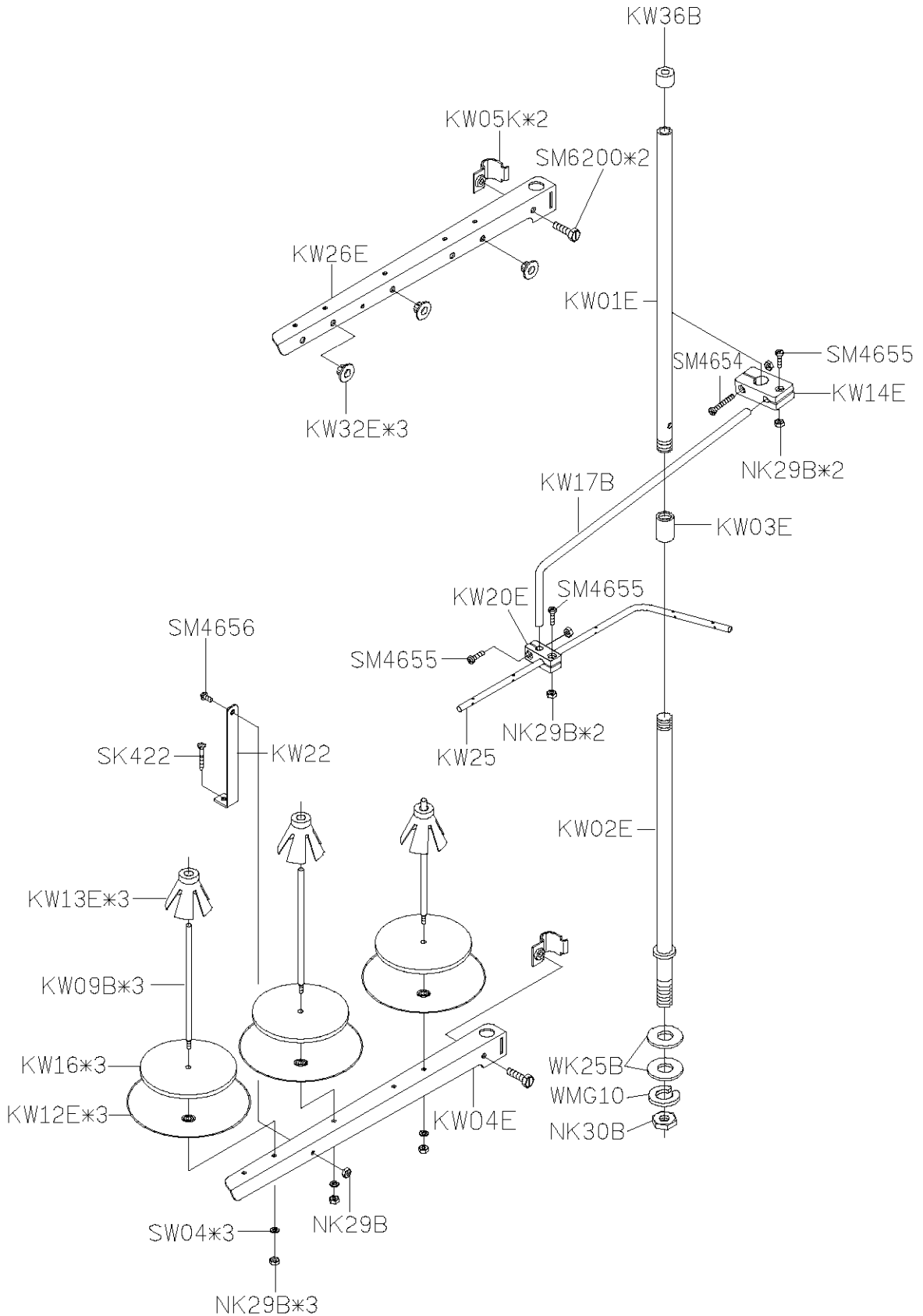
A

B

C

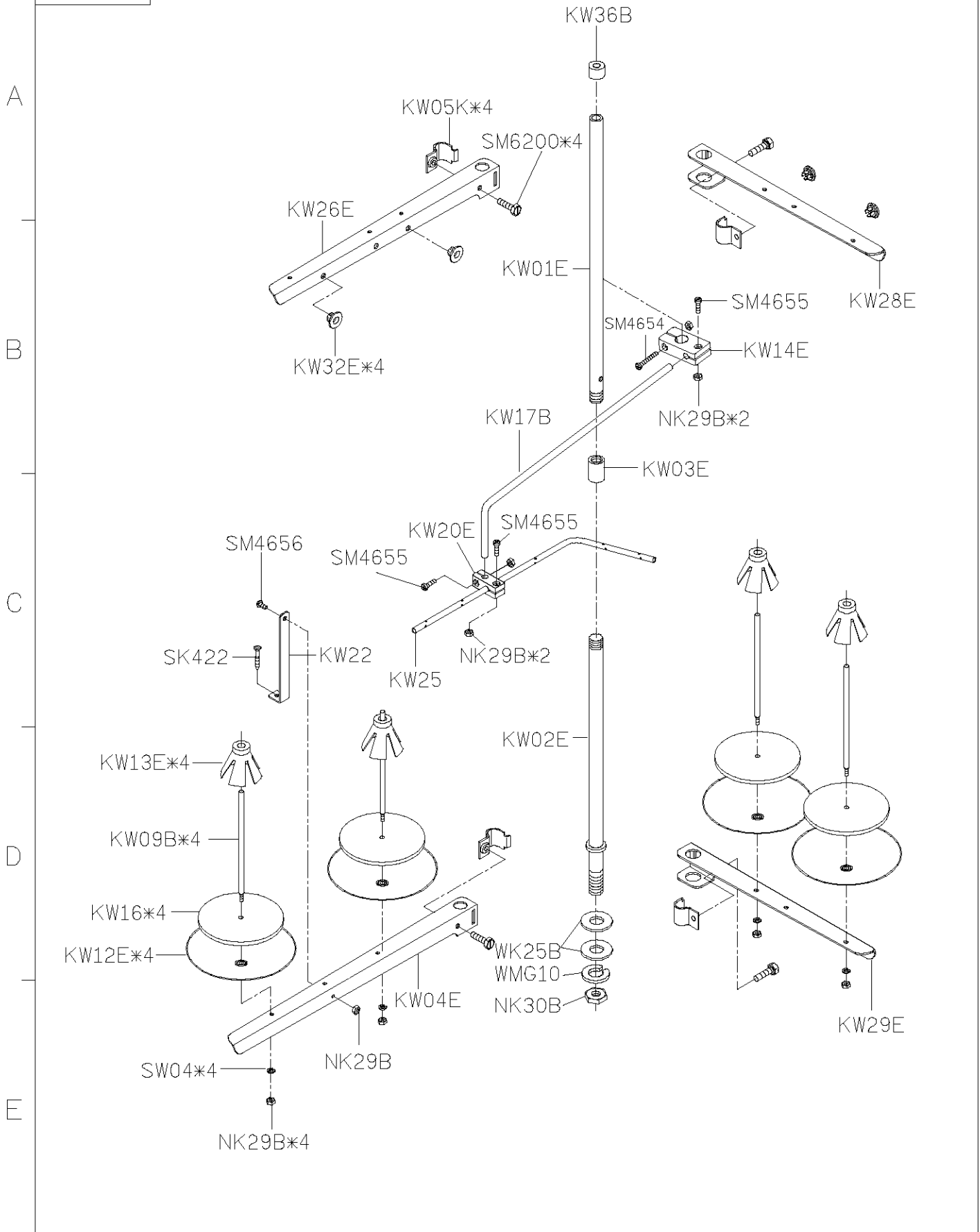
D

E



SIRUBA PARTS LIST	Series	Parts Group	Subclass / Remark	Page
	700K/700KD 988/988D	KW		2/4
				Date
				2015/09/15

KW40E-4

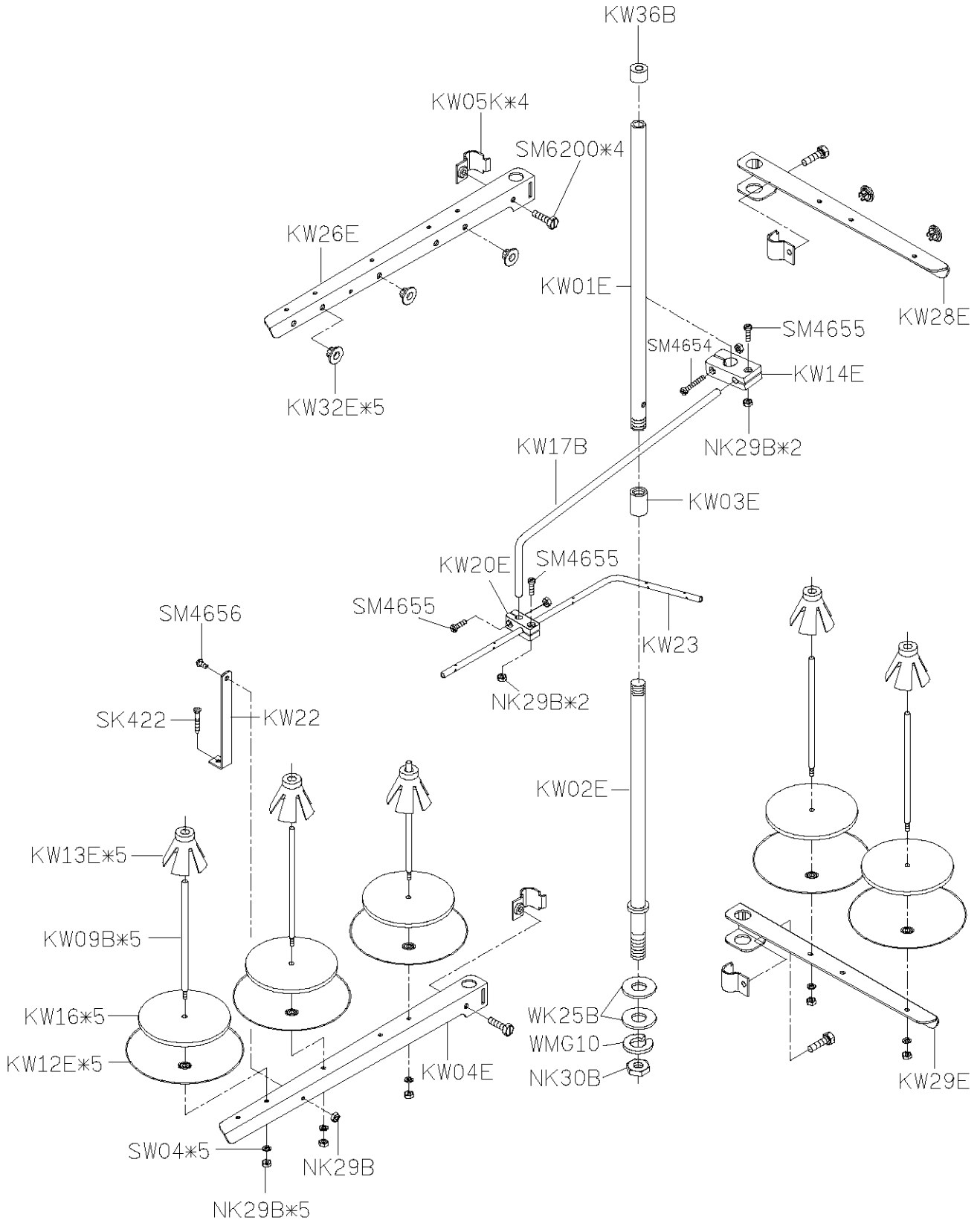


1 2 3 4 5

SIRUBA PARTS LIST	Series	Parts Group	Subclass / Remark	Page
	700K/700KD	KW		3/4
	988/988D			Date
				2015/09/15

KW40E-5

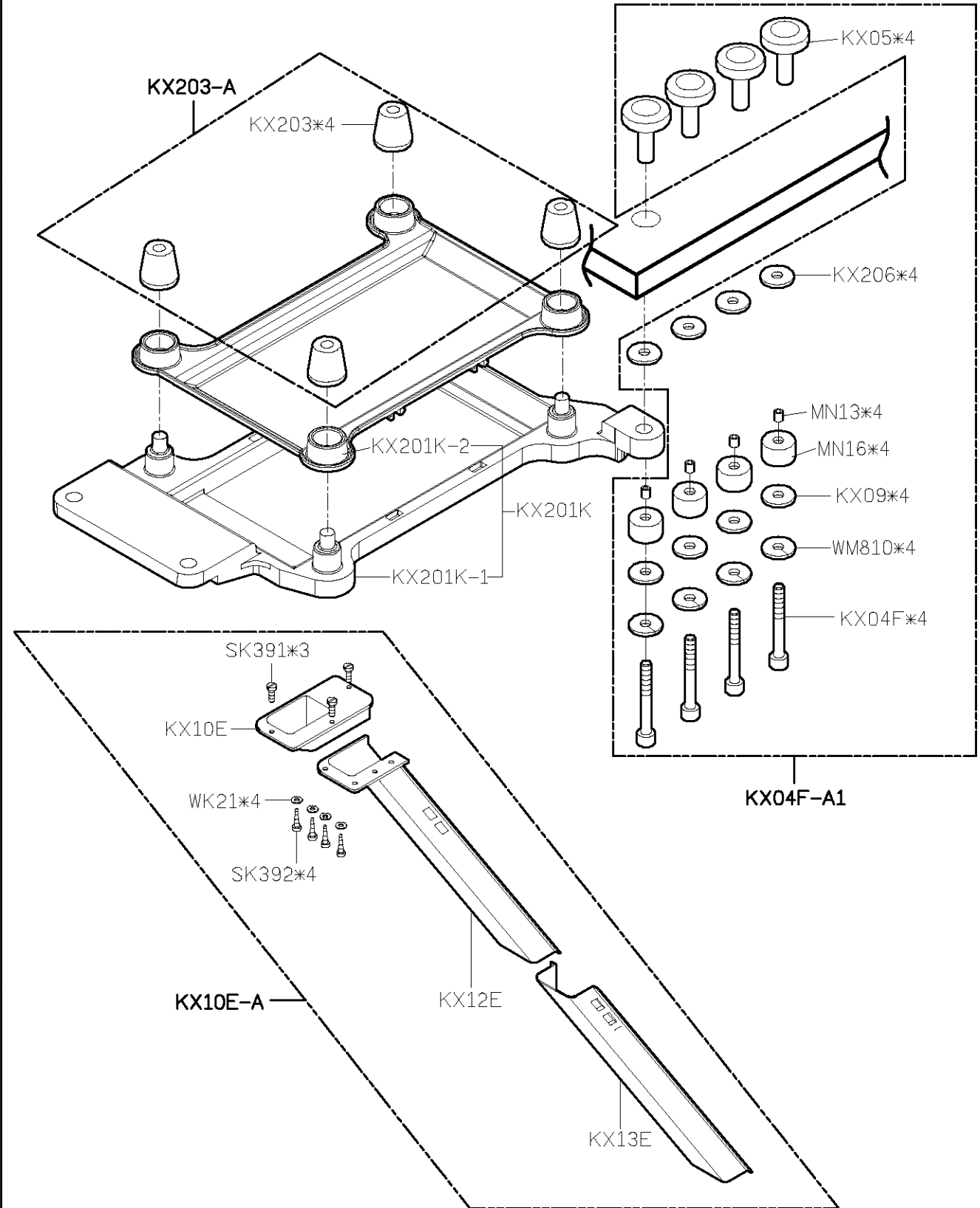
A
B
C
D
E



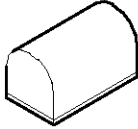




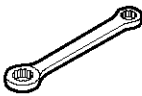


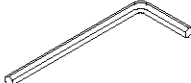

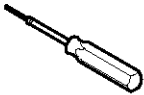
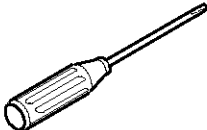
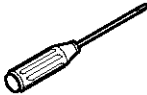

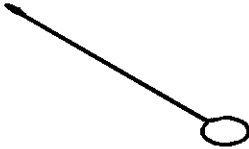
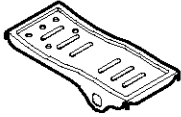



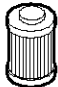


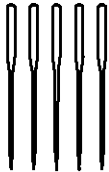
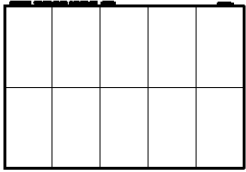
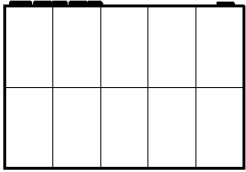
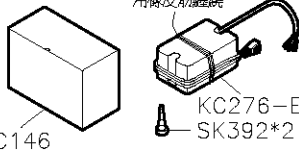
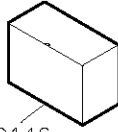
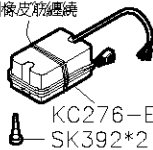
1 2 3 4 5

SIRUBA PARTS LIST	Series	Parts Group	Subclass Remark	Page
	700K/700KD	KX		1/1
	988/988D			Date
				2013/12/27

A
B
C
D
E



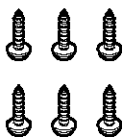
SIRUBA PARTS LIST	Series	Parts Group	Subclass Remark	Page
	700K/700KD 988/988D	KY	#: Use for 700K/988-DKF1 *: Use for 700D/988D	1/2 Date 2015/03/11

A	KY01-1 防塵罩 	KY203-A 油罐 	KY03 油壺 	KY04 漏斗 	KY05-A 油壺 	
	KY23-A KY23 內六角扳手 		KY10-A KY10 六角扳手 		KY11 六角扳手 	KY12 六角扳手 
B	SK216 螺絲 	KY14 內六角螺絲起子 	KY16-A KY16 一字起子 		KY17 一字起子 	KY18 鑷子 
	KY19 穿線器 	KY20D-A 腳踏板 	KY21-A/MY21-A 鉤子/鍊條 		KY201 工具袋 	
D	KR35/KR35C 下刀片 	KT14-A 濾油器 	KY30 針板紙 	KZ03 乾燥濟 	針*5 車針 	
	KZ08K 使用說明書 	KZ08K-2 零件圖 	*KC276-A 燈座電器組 			
E			KC146 	用橡皮筋纏繞 KC276-E SK392*2 		

SIRUBA PARTS LIST	Series	Parts Group	Subclass Remark	Page
	700K/700KD 988/988D	KY	#: Use for 700K/988-DKF1 *: Use for 700D/988D	2/2
				Date
				2015/03/11

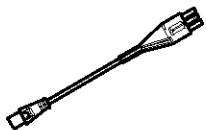
#SK392*6

螺絲



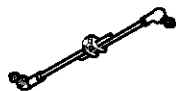
#KD252

連接線



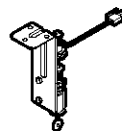
#TML11

拉杆



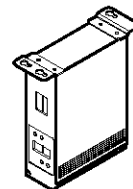
#KD249-E

控速器



#DKF1-C550

電控箱



A

B

C

D

E

1

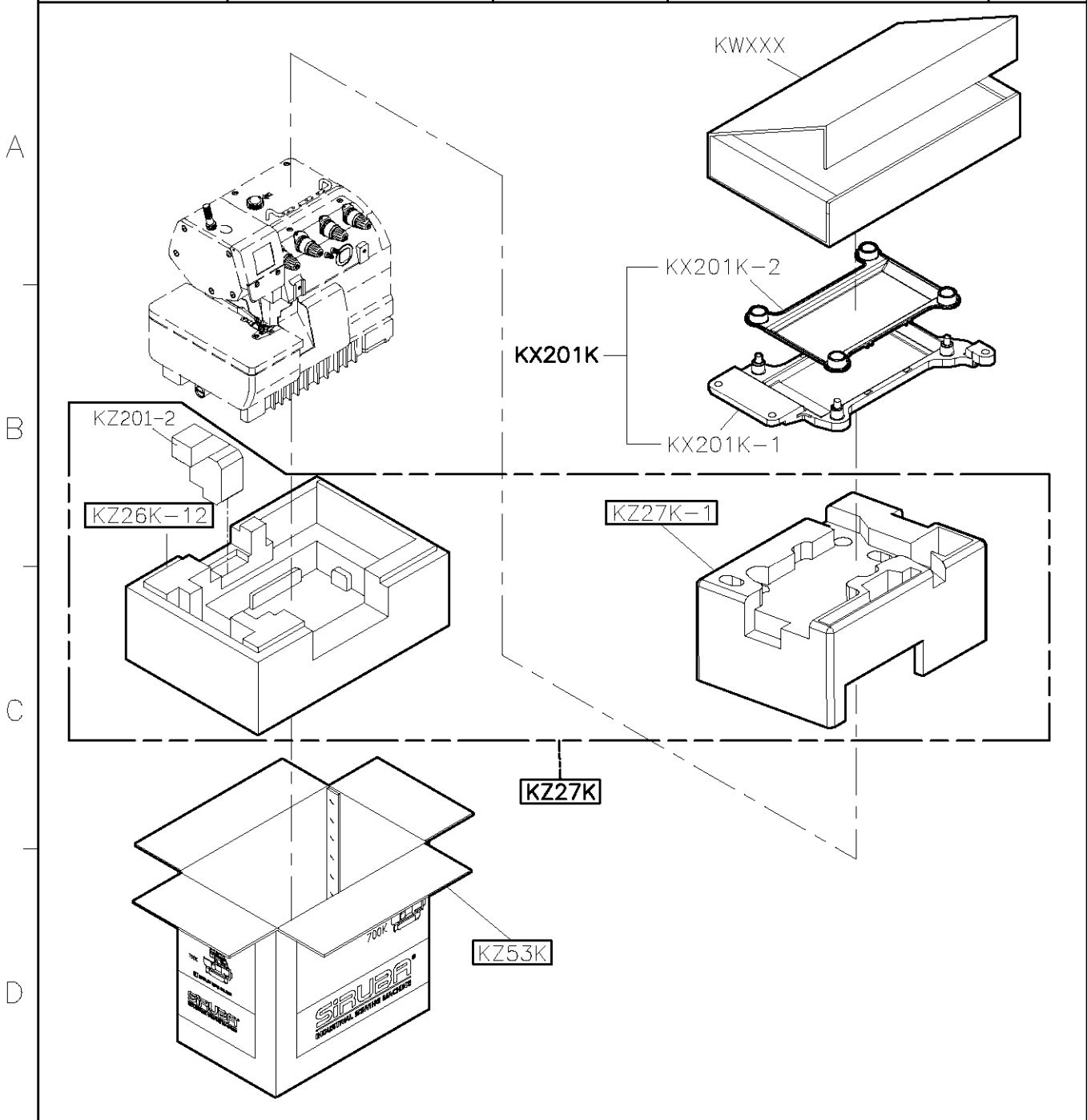
2

3

4

5

SIRUBA PARTS LIST	Series	Parts Group	Subclass Remark	Page
	700K/700KD 988/988D	KZ		1/1
				Date
				2015/04/22



MODEL	PARTS NO			ACCESSORY CASE
700K	KZ53K	KZ27K	KZ27K-1/KZ26K-12/KZ201-2	KWXXXJ (依配件盒實際料號)
988	KZ53K-1	KZ27K	KZ27K-1/KZ26K-12/KZ201-2	
700KD	KZ53KD	KZ27K	KZ27K-1/KZ26K-12/KZ201-2	
988D	KZ53KD-1	KZ27K	KZ27K-1/KZ26K-12/KZ201-2	
700K-LFC	KZ55K	KZ51K	KZ51K-1/KZ26K-2	
988-LFC	KZ55K-1	KZ51K	KZ51K-1/KZ26K-2	
700KD-LFC	KZ55KD	KZ51K	KZ51K-1/KZ26K-2	
988D-LFC	KZ55KD-1	KZ51K	KZ51K-1/KZ26K-2	
700K-DKF1	KZ208	KZ206	KZ206-1/KZ206-2	KWXXXH (依配件盒實際料號)
988-DKF1	KZ208-1	KZ206	KZ206-1/KZ206-2	

1

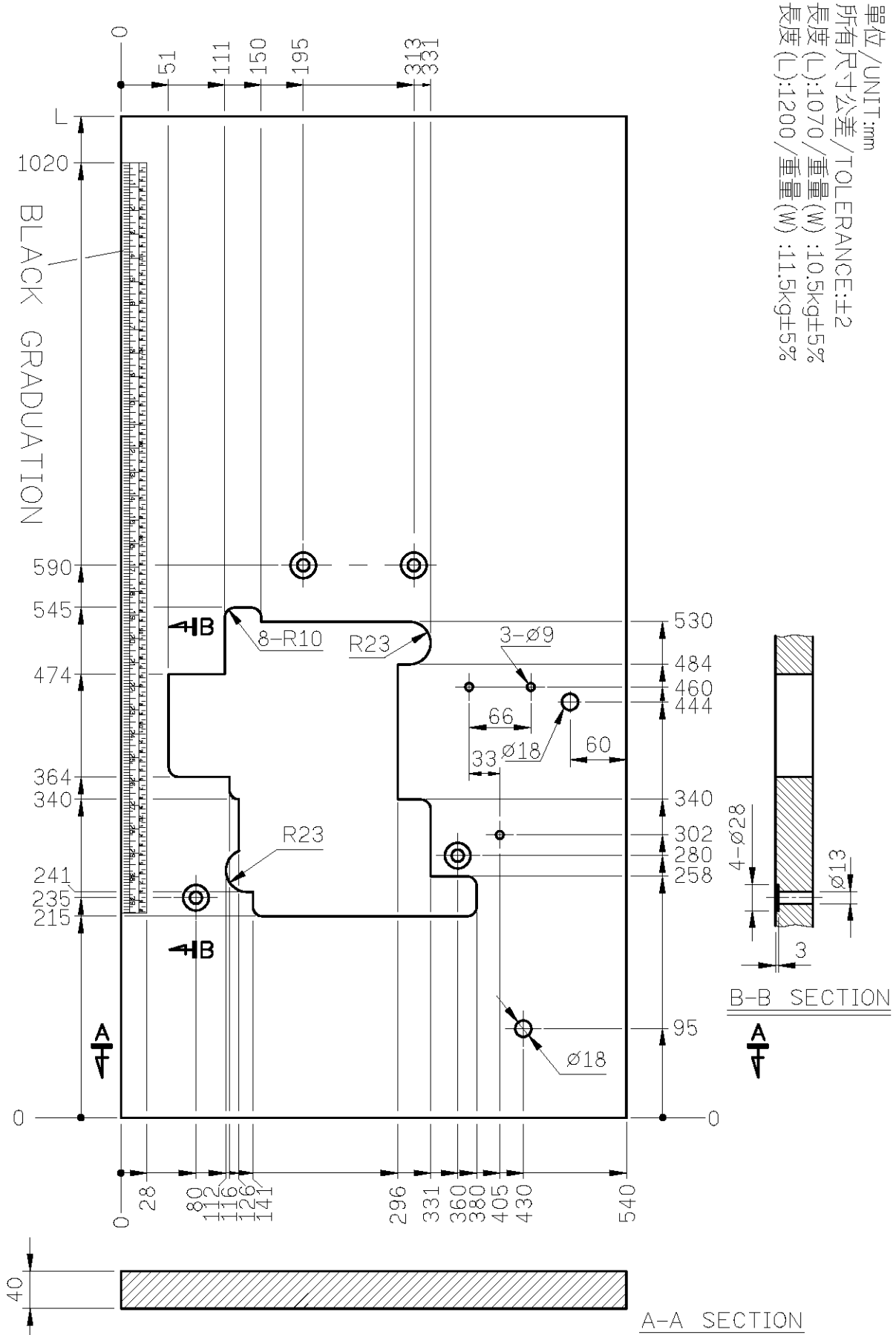
2

3

4

5

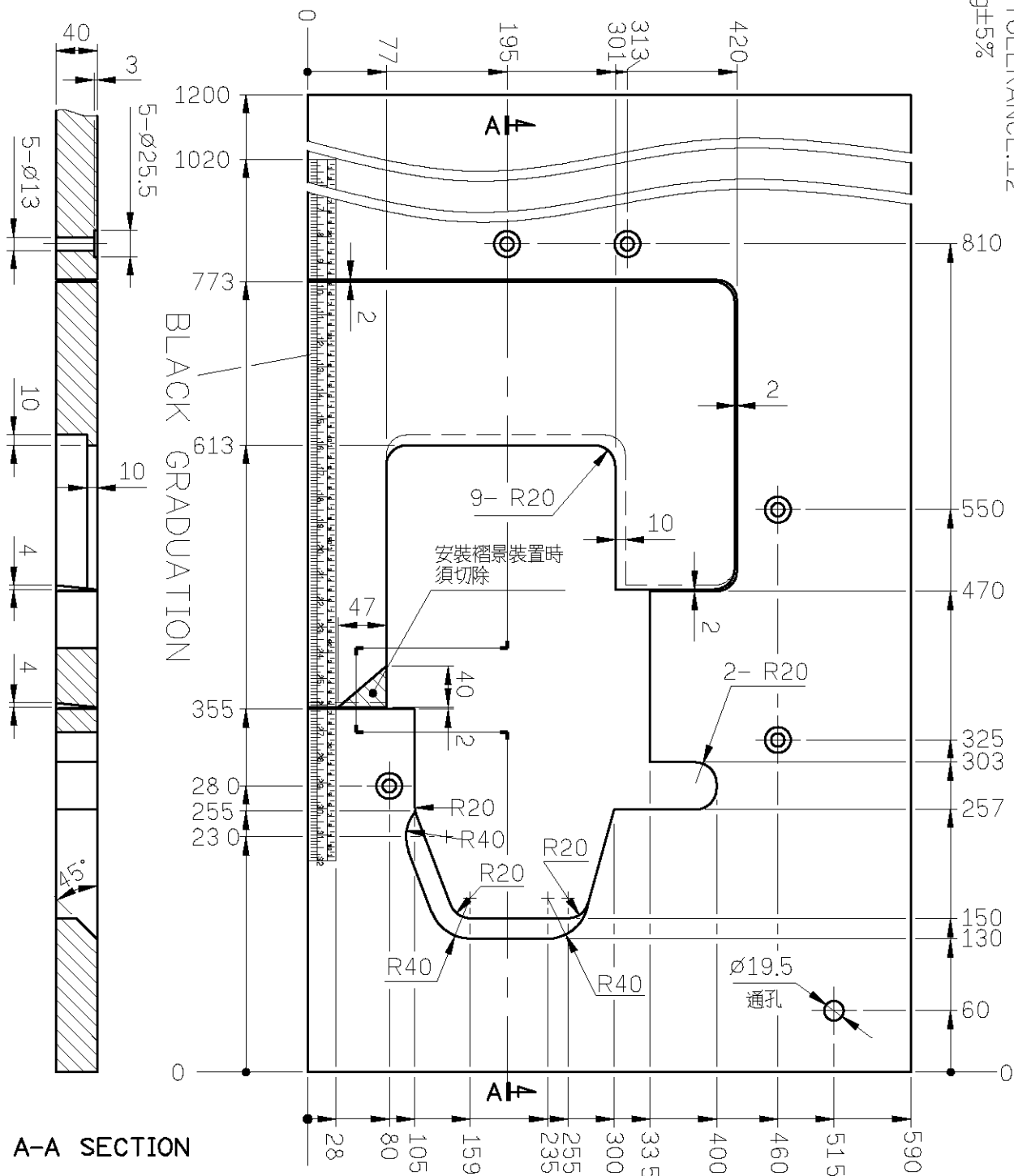
SIRUBA TABLE CUT - OUT	Series	Item Code	Subclass Remark	Mounting
	700K/988	700K-T		Semi-submerged
	700KT			Date
				2016/05/04



單位 / UNIT : mm
 所有尺寸公差 / TOLERANCE : ±2
 長度 (L) : 1070 / 重量 (W) : 10.5kg ± 5%
 長度 (L) : 1200 / 重量 (W) : 11.5kg ± 5%

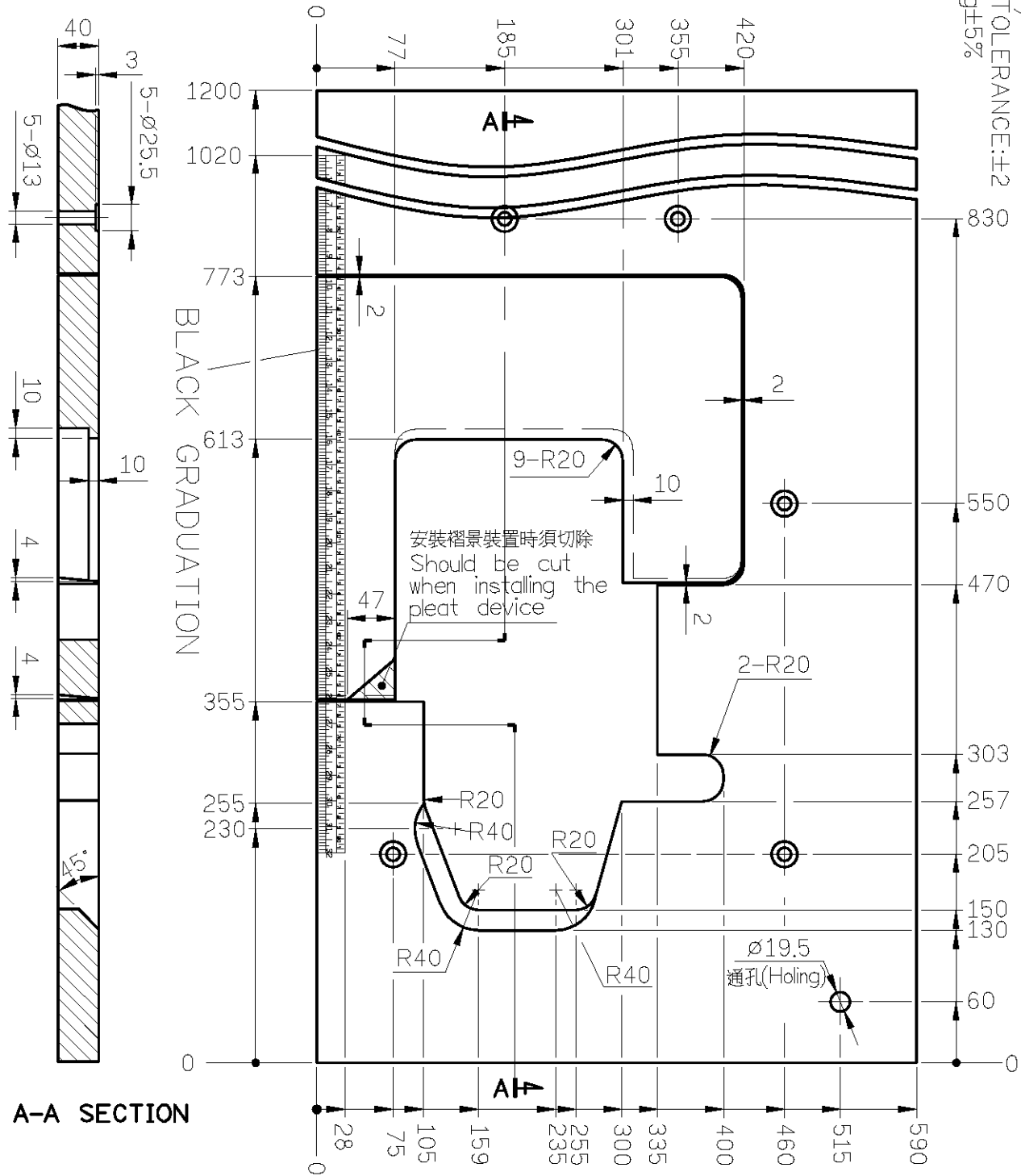
SIRUBA TABLE CUT - OUT	Series	Item Code	Subclass Remark	Mounting
	700K/988	700K-T1	需配TBK (包含TB202 / TB203 / TB204) (需搭 KX201 舊底盤)	Fully-submerged
				Date
				2012/11/18

單位 / UNIT : mm
 所有尺寸公差 / TOLERANCE : ±2
 重量 (W) : 12.4kg ± 5%



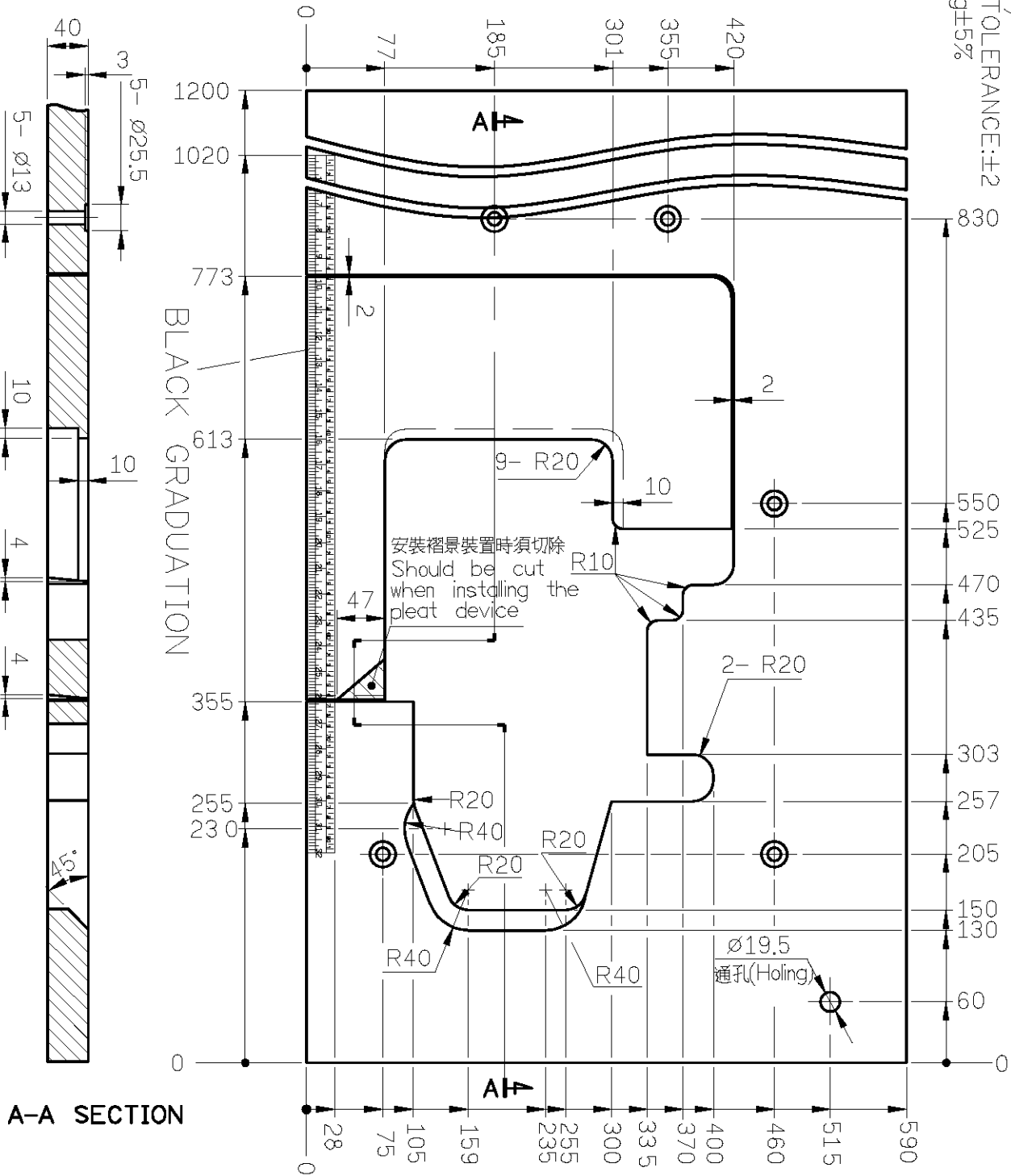
SIRUBA TABLE CUT - OUT	Series	Item Code	Subclass Remark	Mounting
	700K/988	700K-T2	需配TBK-1 (包含TB201) Collocate With TBK-1 (Including TB201)	Fully-submerged
				Date 2016/05/05

單位 / UNIT : mm
FOR 700K / 988
所有尺寸公差 / TOLERANCE : ±2
重量 (W) : 12.4kg ± 5%

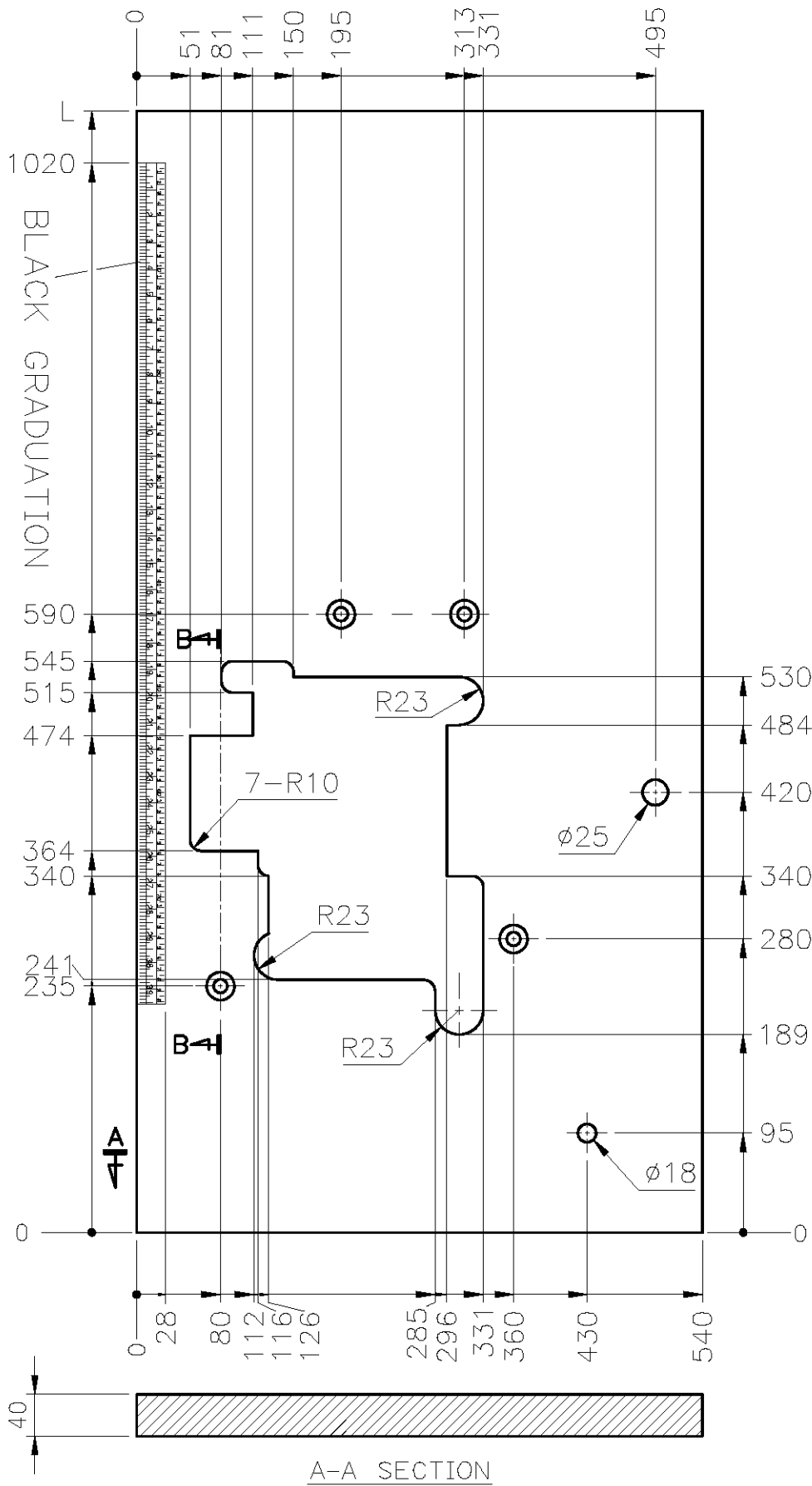


SIRUBA TABLE CUT - OUT	Series	Item Code	Subclass Remark	Mounting
	700K/988	700K-T3	For:EC、CT、VT 需配TBK-1 (包含TB201) Collocate With TBK-1 (Including TB201)	Fully-submerged
				Date 2016/04/28

單位 / UNIT : mm
FOR 700K / 988
所有尺寸公差 / TOLERANCE : ±2
重量 (W) : 12.4kg ± 5%



SIRUBA TABLE CUT - OUT	Series	Item Code	Subclass Remark	Mounting
	700K	700K-T4	FOR BKF	Semi-submerged
				Date 2016/05/05



單位 / UNIT : mm
 所有尺寸公差 / TOLERANCE : ±2
 長度 (L) : 1070 / 重量 (W) : 10.5kg ± 5%
 長度 (L) : 1200 / 重量 (W) : 11.5kg ± 5%

SIRUBA TABLE CUT - OUT	Series	Item Code	Subclass Remark	Mounting
	700K/988	TB201		Fully-submerged Fixed Table
				Date
				2016/04/28

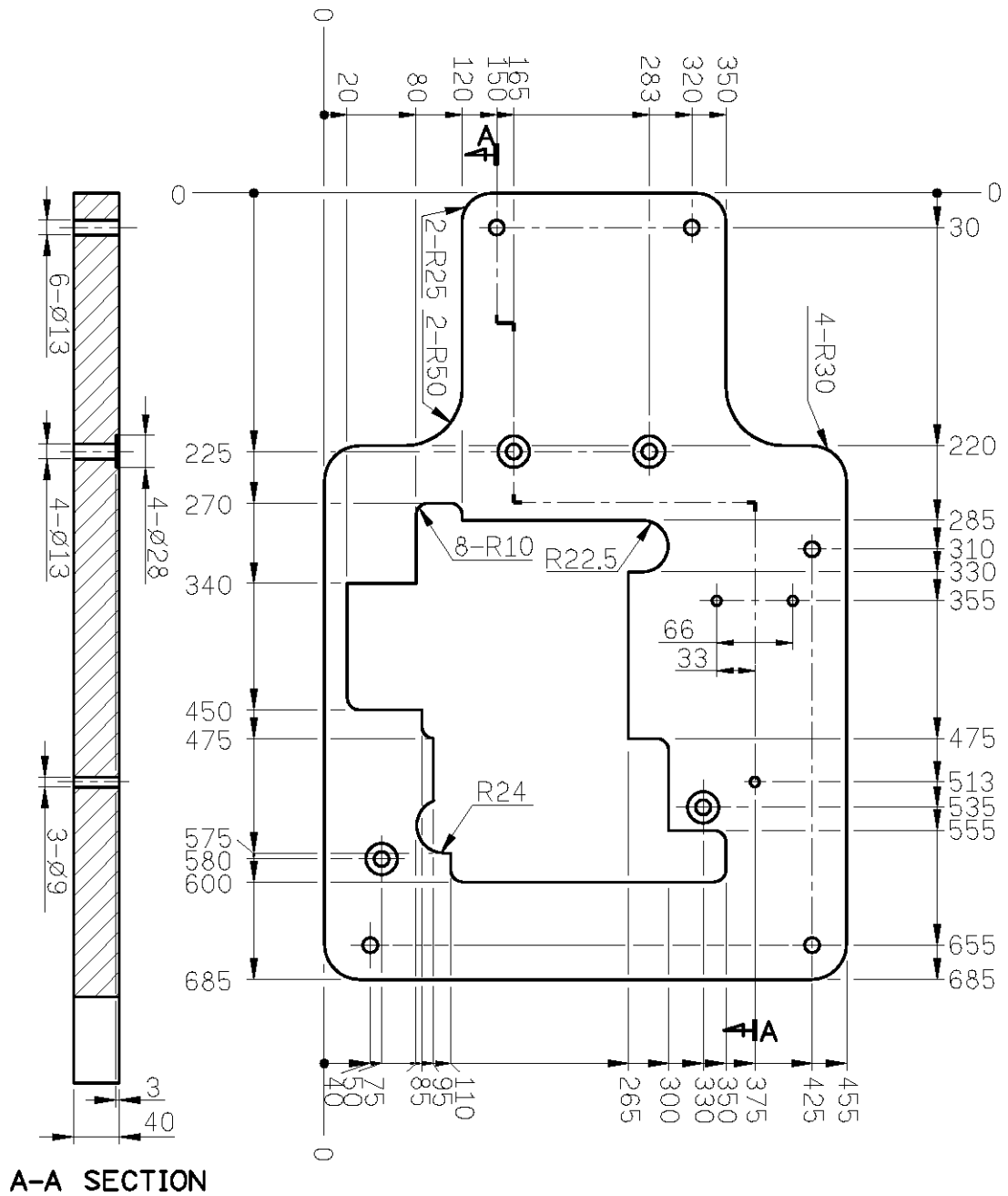
單位/UNIT:mm

FOR 700K/988

所有尺寸公差/DIFFERENCE:±2

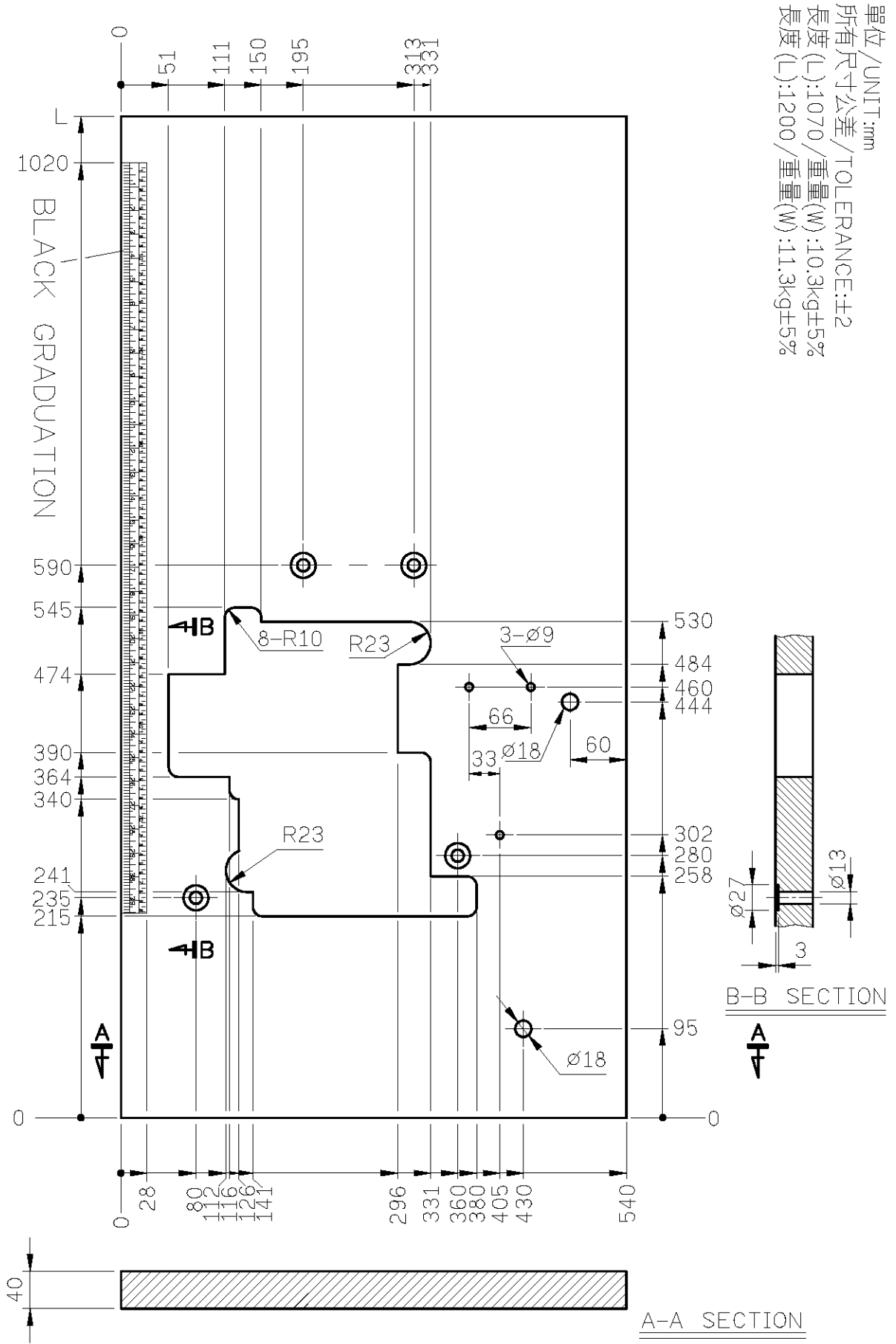
重量(W):4.25kg±5%

全封邊灰格紋光塑面台板/Plastic Table With All Sides Sealed With Gray Plaid



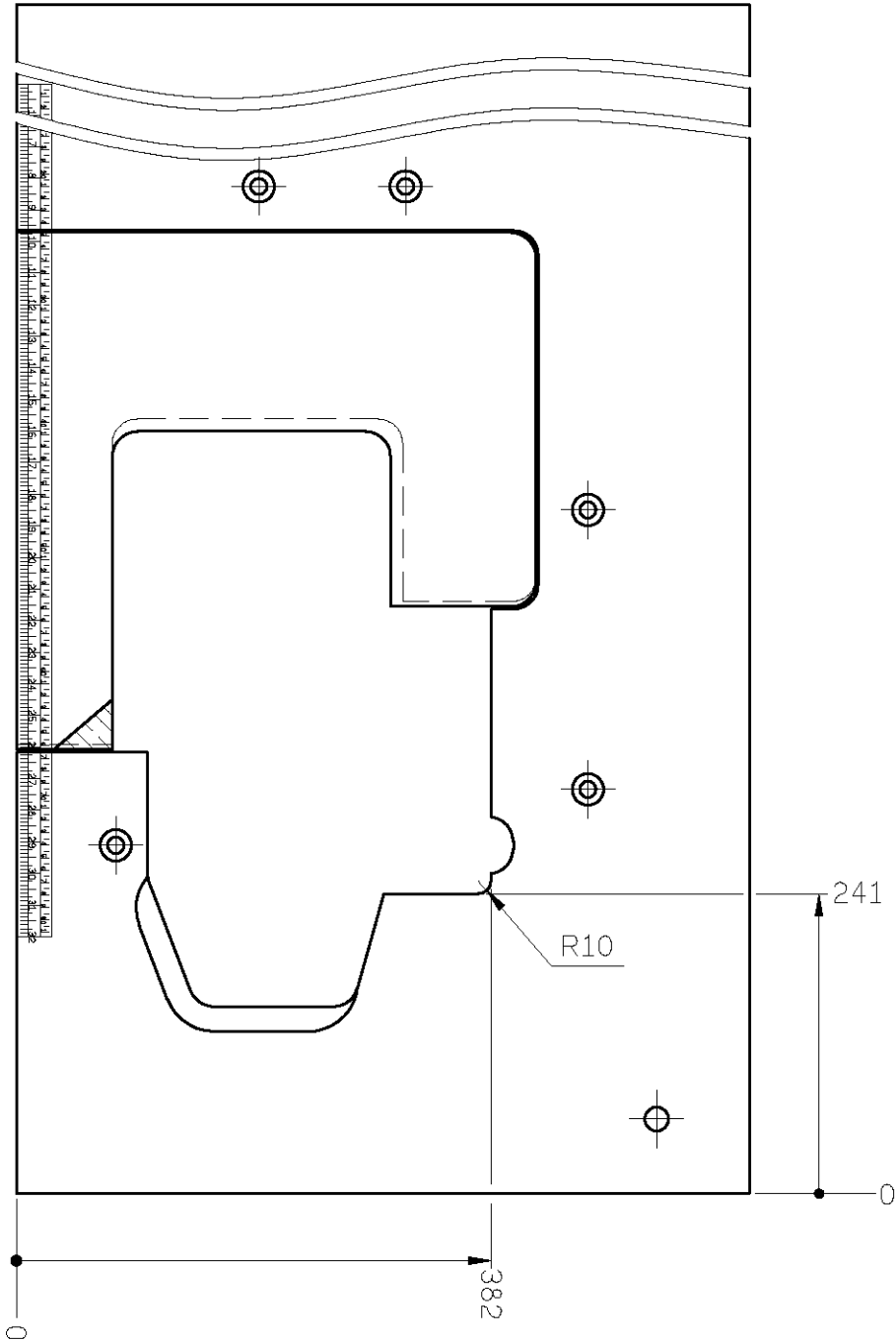
A-A SECTION

SIRUBA TABLE CUT - OUT	Series	Item Code	Subclass Remark	Mounting
	700KD/988D	700KD-T		Semi-submerged
				Date
				2016/05/05



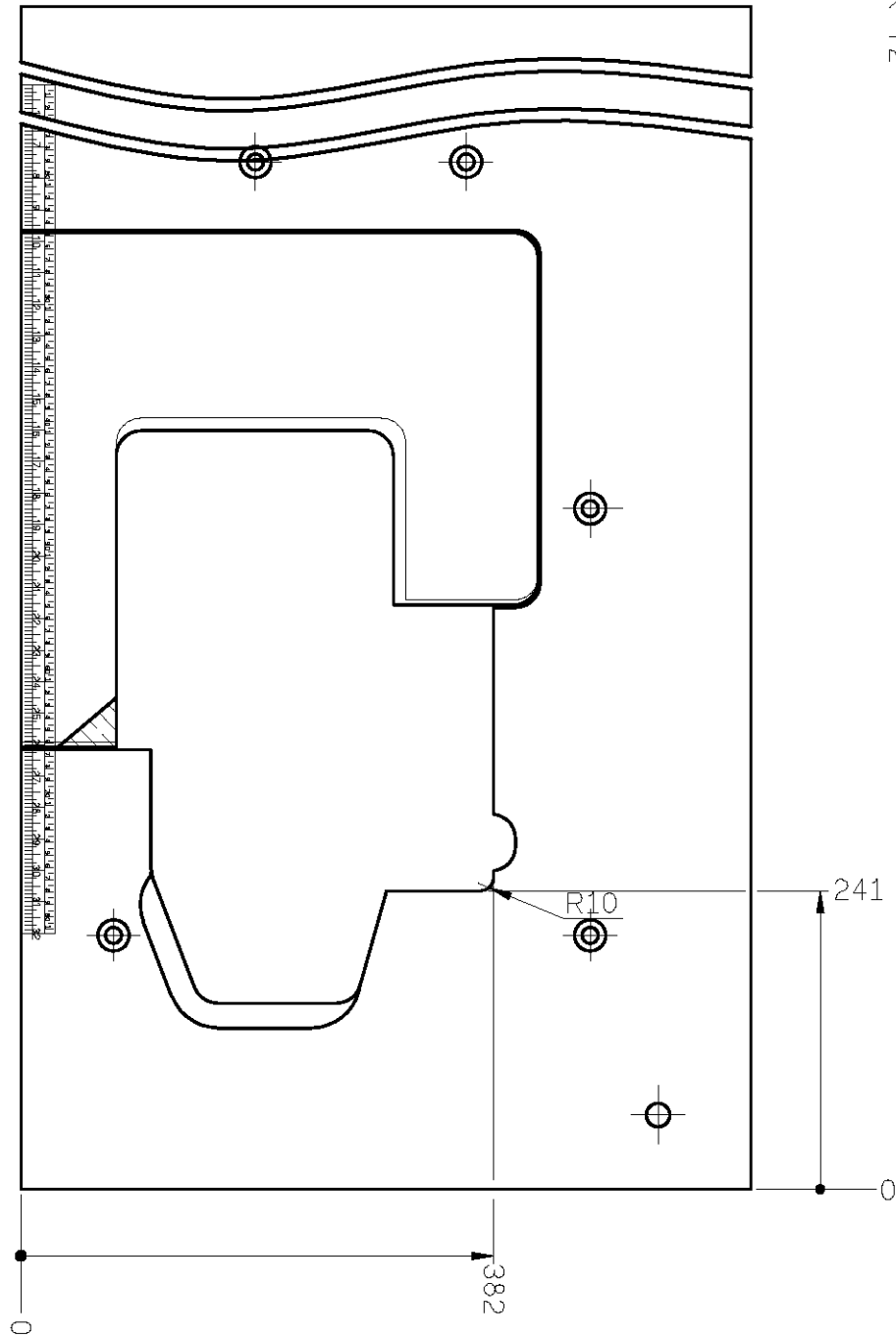
SIRUBA TABLE CUT - OUT	Series	Item Code	Subclass Remark	Mounting
	700KD/988D	700KD-T1	需配TBK(包含TB202/TB203) (需搭KX201舊底盤)	Fully-submerged
				Date
				2012/11/18

單位 / UNIT : mm
 所有尺寸公差 / TOLERANCE : ±2
 重量 (W) : 12.2kg±5%
 其餘尺寸同 700K-T1



SIRUBA TABLE CUT - OUT	Series	Item Code	Subclass Remark	Mounting
	700KD/988D	700KD-T2	需配TBKD-1(包含TB201D)	Fully-submerged
				Date 2016/05/05

單位/UNIT:mm
 FOR 700KD/988D
 所有尺寸公差/TOLERANCE:±2
 重量(W):12.2kg±5%
 其餘尺寸同700K-T2



SIRUBA TABLE CUT - OUT	Series	Item Code	Subclass Remark	Mounting
	700KD/988D	700KD-T3	For: FLP、EC、CT、VT 需配TBKD-1(包含TB201D)	Fully-submerged
				Date
				2012/11/18

單位 / UNIT : mm
 FOR 700KD / 988D
 所有尺寸公差 / TOLERANCE : ±2
 重量 (W) : 11.9kg ± 5%
 其餘尺寸同 700KD-T2

