

SIRUBA®

銀箭牌工業用縫紉機

INDUSTRIAL SEWING MACHINE

PK511

使用說明與零件圖 INSTRUCTION AND PARTS LIST



CE

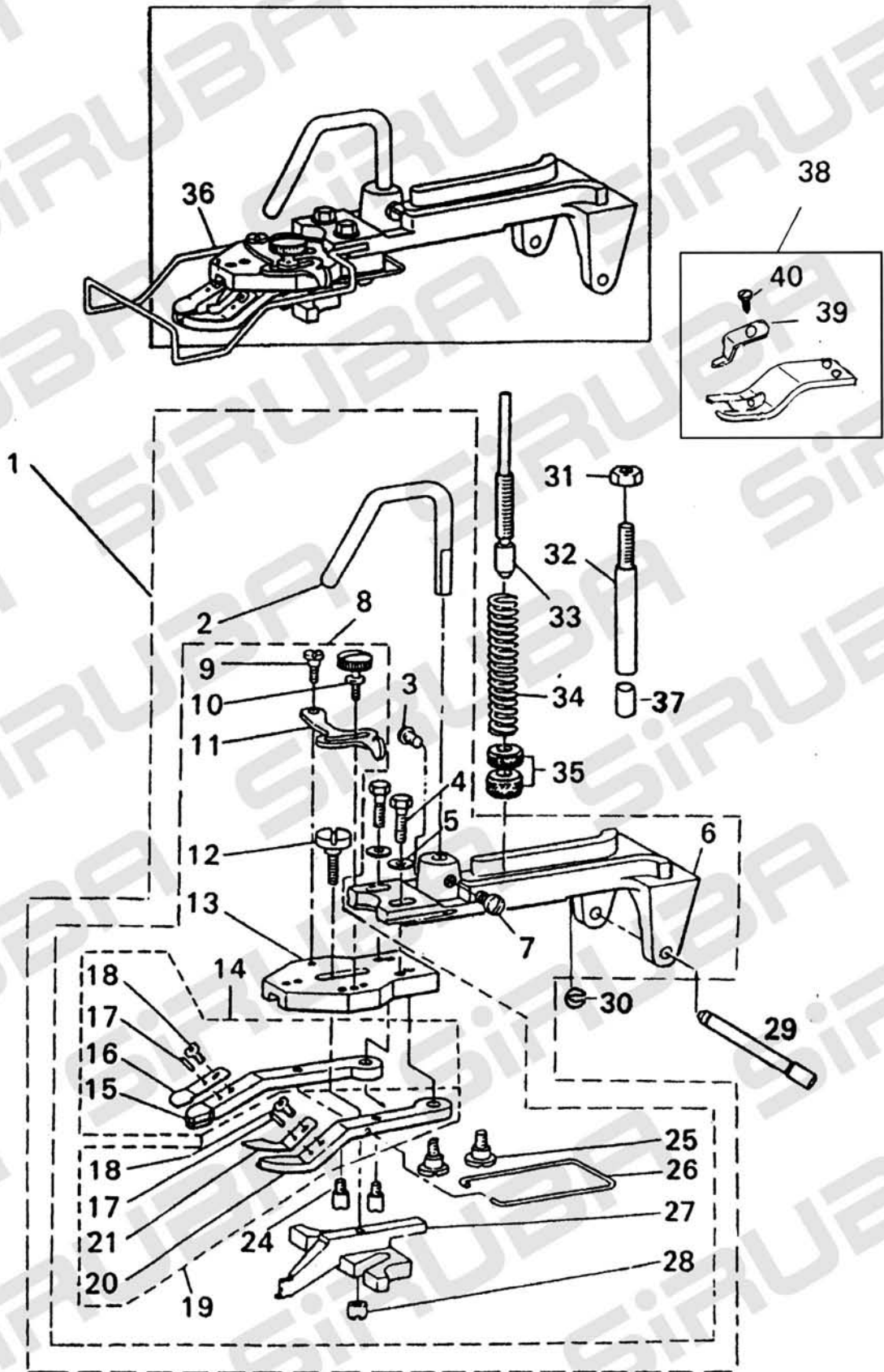


高林股份有限公司
KAULIN MFG. CO., LTD.

CONTENTS

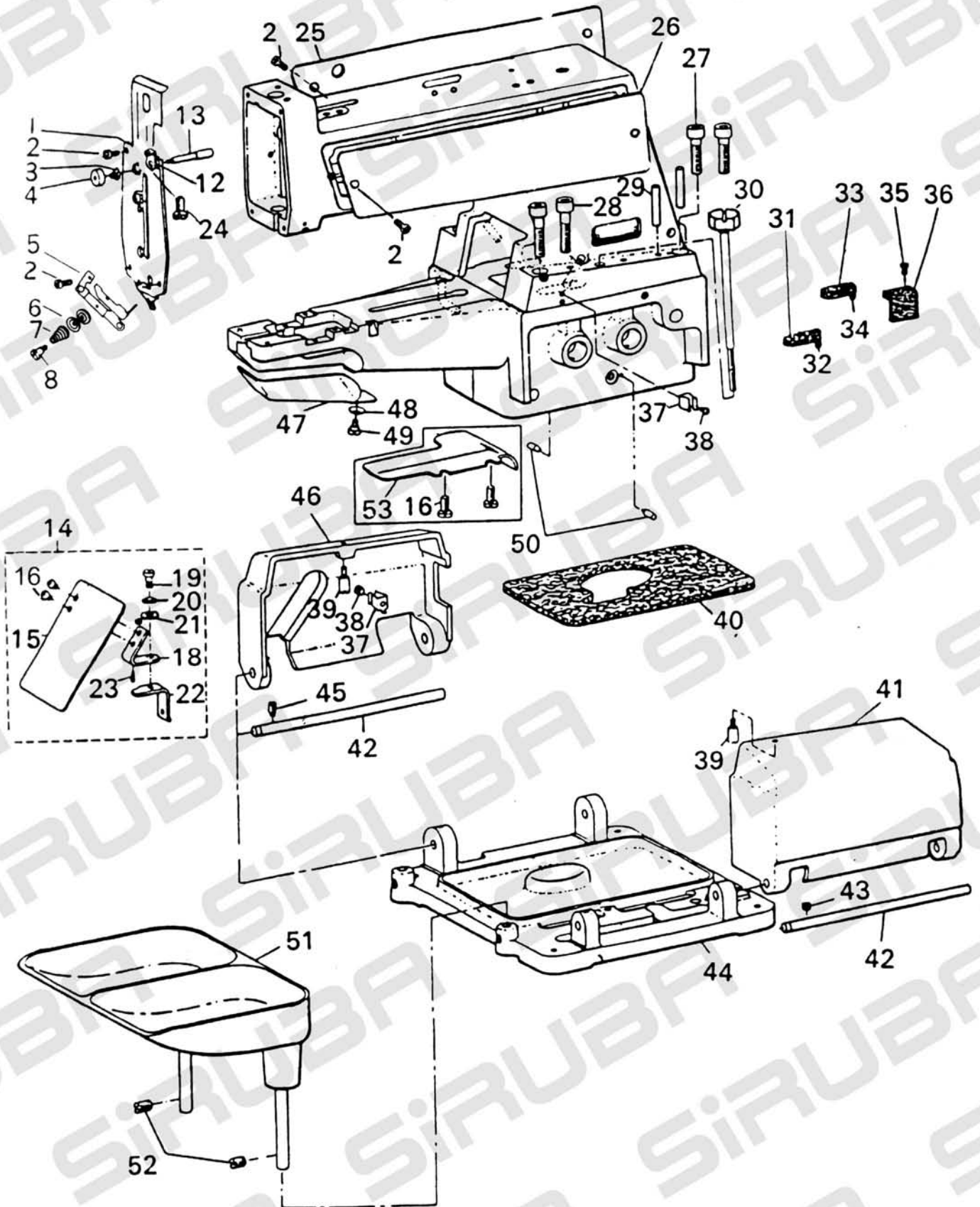
1. **BUTTON CLAMP MECHANISM COMPONENTS**
2. **MACHINE ARM & MISCELLANEOUS COVERS COMPONENTS**
3. **LOOPER SHAFT MECHANISM COMPONENTS**
4. **NIPPER & THREAD HANDLING PARTS COMPONENTS**
5. **FEED PLATE COMPONENTS**
6. **BUTTON CLAMP LIFTER COMPONENTS**
7. **NEEDLE DRIVING PULLEY SHAFT MECHANISM COMPONENTS**
8. **NEEDLE BAR DRIVING MECHANISM COMPONENTS**
9. **STOP MOTION MECHANISM COMPONENTS**
10. **STITCH SELECTING PARTS COMPONENTS**

1. BUTTON CLAMP MECHANISM COMPONENTS



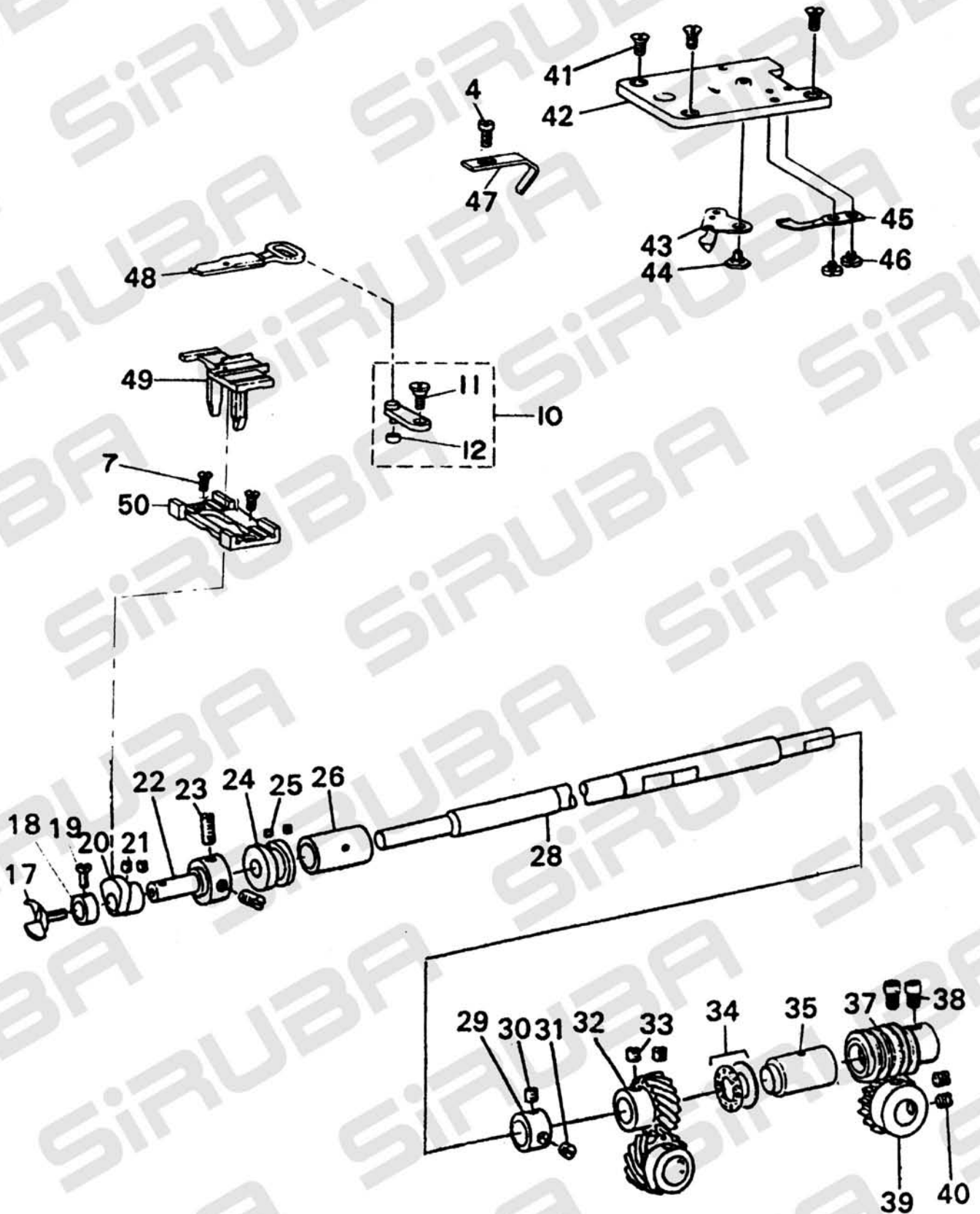
	Part No.	Description	Amt. Req.
1	BO0101	FLAT BUTTON CLAMP ASM.	1
2	BO0102	BUTTON CLAMP LIFTING ROD	1
3	BO0103	SCREW 15/64-28 L=9	1
4	BO0104	SCREW 3/16-32 L=13.5	2
5	BO0105	WASHER	2
6	BO0106	BUTTON CLAMP HOLDER	1
7	BO0107	SCREW 15/64-28 L=9	1
8	BO0108	JAWLEVER HOLDER ASM.	1
9	BO0109	HINGE SCREW D=5.5 H=1.8	1
10	BO0110	CLAMP SCREW	1
11	BO0111	SNAP FASTENER CLAMP	1
12	BO0112	HINGE SCREW D=5.5 H=3	1
13	BO0113	JAW LEVER HOLDER	1
14	BO0114	BUTTON CLAMP LEVER JAW, LEFT ASM.	1
15	BO0115	BUTTON CLAMP LEVER JAW, LEFT	1
16	BO0116	BUTTON HOLDING SPRING, LEFT	1
17	BO0117	BUTTON CLAMP LOCATING PIN	2
18	BO0118	SCREW 9/64-40 L=3.5	2
19	BO0119	BUTTON CLAMP LEVER JAW, RIGHT ASM.	1
20	BO0120	BUTTON CLAMP JAW, RIGHT	1
21	BO0121	BUTTON HOLDING SPRING, RIGHT	1
22			0
23			0
24	BO0124	BUTTON CLAMP STOP PIN	2
25	BO0125	HINGE SCREW D=6.35 H=3.9	2
26	BO0126	BUTTON CLAMP SPRING	1
27	BO0127	BUTTON CLAMP SLIDE	1
28	BO0128	NUT	1
29	BO0129	HINGE PIN	1
30	BO0130	SNAP RING	1
31	BO0131	NUT	1
32	BO0132	BUTTON CLAMP STOPPER PIN	1
33	BO0133	BUTTON CLAMP PRESSURE ADJUSTING BAR	1
34	BO0134	PRESSURE ADJUSTING SPRING	1
35	BO0135	THREAD TENSION STUD NUT	2
36	BO0136	FINGER GUARD	1
37	BO0137	SEAL PLUG	1
38	BO0138	FOR LABEL	1
39	BO0139	SPRING	1
40	BO0140	SCREW 3/32-56 L=4	1

2. MACHINE ARM & MISCELLANEOUS COVERS COMPONENTS



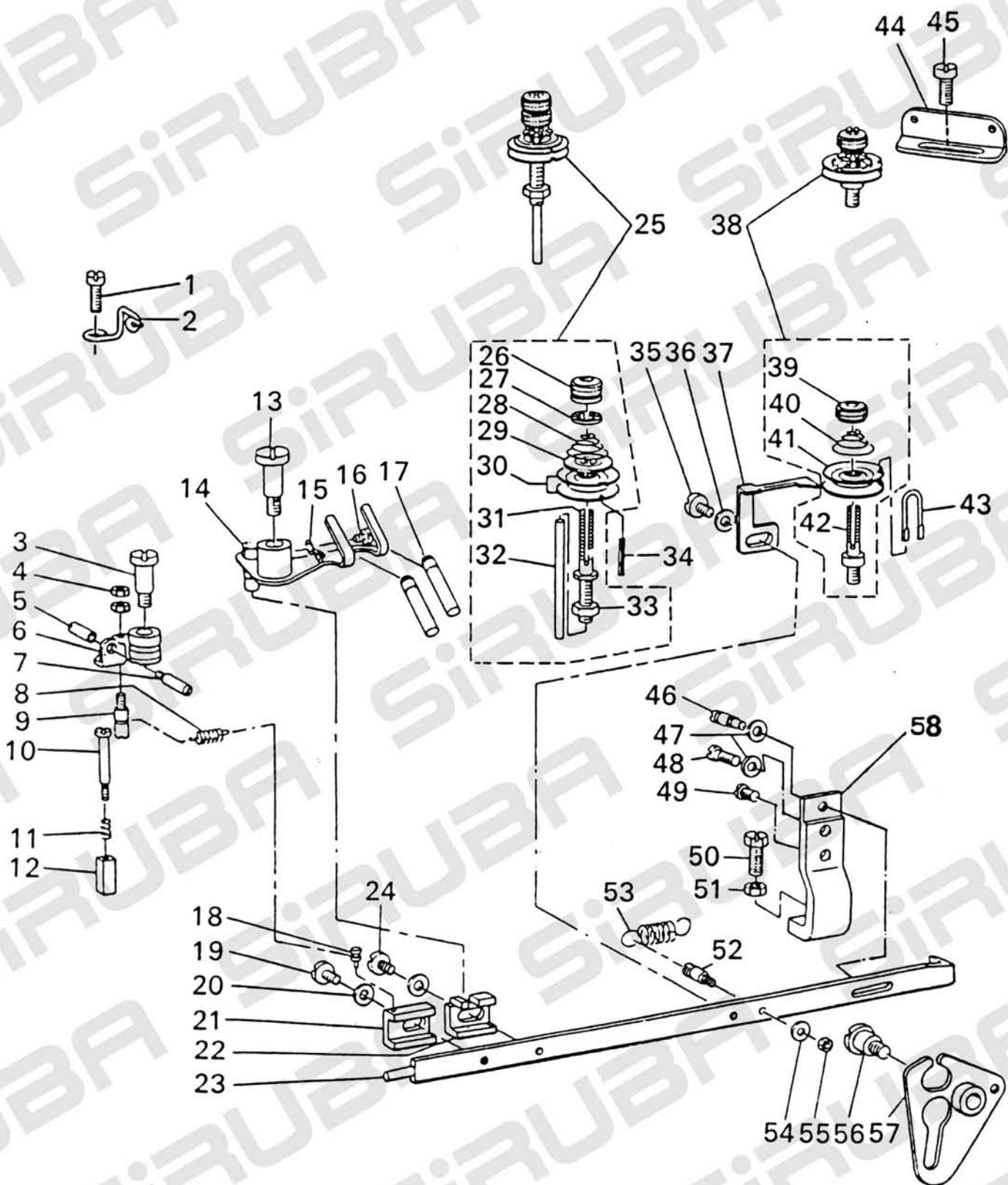
	<u>Part No.</u>	<u>Description</u>	<u>Amt. Req.</u>
1	BO0201	FRONT COVER ASM.	1
2	BO0202	SCREW 3/16-28 L=8	8
3	BO0203	TENSION SPRING	1
4	BO0204	NIPPER RELEASING PLUNGER THUMB NUT	1
5	BO0205	THREAD TENSION GUIDE ASM.	1
6	BO0206	TENSION DISC	2
7	BO0207	TENSION SPRING	1
8	BO0208	E-SHAPED SNAP RING	1
--	----	-----	0
--	----	-----	0
12	BO0212	THREAD GUIDE	1
13	BO0213	NIPPER RELEASING PLUNGER	1
14	BO0214	SAFETY PLATE ASM.	1
15	BO0215	SAFETY PLATE	1
16	BO0216	SCREW 11/64-40 L=7	4
17			0
18	BO0218	SAFETY PLATE INSTALLING PLATE	1
19	BO0219	HINGE SCREW D=6 H=4	1
20	BO0220	DISC SPRING	1
21	BO0221	WASHER	1
22	BO0222	SAFETY PLATE MOUNTING BASE	1
23	BO0223	SPRING PIN	1
24	BO0224	SCREW	1
25	BO0225	SIDE COVER, LEFT	1
26	BO0226	SIDE COVER, RIGHT	1
27	BO0227	SCREW M8 L=30	2
28	BO0228	SCREW M8 L=35	2
29	BO0229	GUIDE PIN	2
30	BO0230	SET SCREW ASM.	1
31	BO0231	OIL FELT, LARGE	1
32	BO0232	OIL WICK	1
33	BO0233	OIL FELT, SMALL	1
34	BO0234	OIL WICK	1
35	BO0235	SCREW 9/64-40 L=8	1
36	BO0236	OIL SUPPLY FELT	1
37	BO0237	SIDE COVER SPRING	2
38	BO0238	SCREW 9/64-40 L=7	2
39	BO0239	SCREW STUD	2
40	BO0240	OIL DRIP FELT	1
41	BO0241	SIDE COVER, RIGHT	1
42	BO0242	SIDE COVER HINGER SHAFT	2
43	BO0243	SCREW 15/64-28 L=5	1
44	BO0244	MACHINE SUB-BASE	1
45	BO0245	SCREW 15/64-28 L=8	1
46	BO0246	SIDE COVER, LEFT	1
47	BO0247	LOOPER COVER	1
48	BO0248	SPRING WASHER	1
49	BO0249	HINGE SCREW D=6 H=2.7	1
50	BO0250	CAM INDICATING PIN	2
51	BO0251	BUTTON TRAY ASM.	1
52	BO0252	SCREW 15/64-28 L=5	2
53	BO0253	OIL SHIELD	1

3. LOOPER SHAFT MECHANISM COMPONENTS



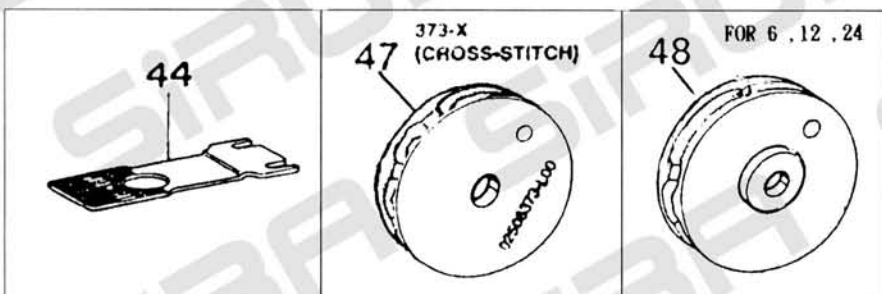
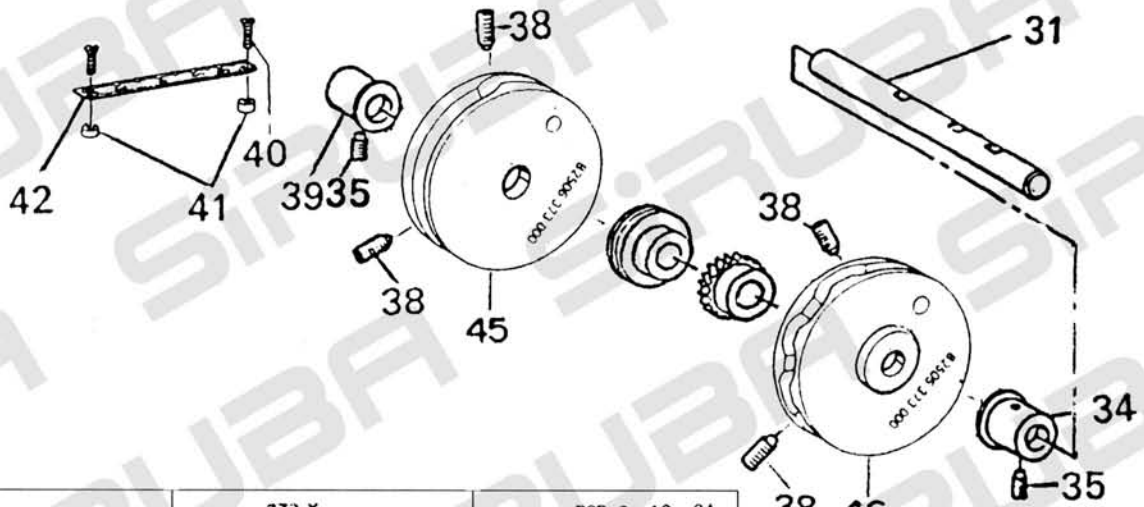
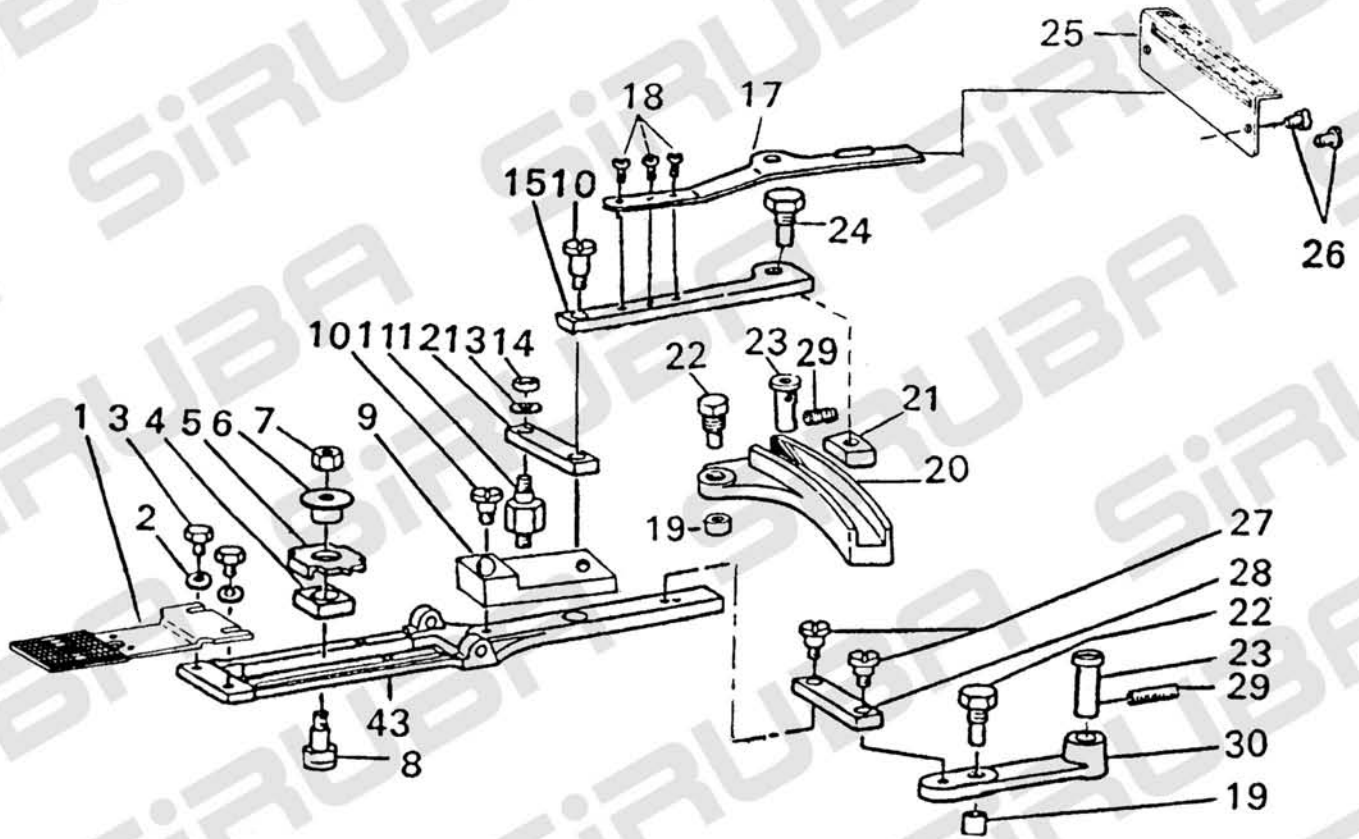
Part No.	Description	Amt. Req.
1		0
2		0
3		0
4	B00304 SCREW 11/64-40 L=7.8	1
5		0
6		0
7	B00307 SCREW 11/64-40 L=7	2
8		0
9		0
10	B00310 LOOP POSITIONING FINGER LEVER	1
11	B00311 HINGE SCREW D=6.35 H=2.4	1
12	B00312 LOOPER POSITIONING FINGER LEVER ROLL	1
17	B00317 LOOPER	1
18	B00318 THRUST COLLAR	1
19	B00319 SCREW 9/64-40 L=6.1	1
20	B00320 LOOP POSITIONING FINGER CAM	1
21	B00321 SCREW 11/64-40 L=3.5	2
22	B00322 LOOPER & CAM SLEEVE	1
23	B00323 SCREW 15/64-28 L=4	2
24	B00324 LOOP POSITIONING FINGER	1
25	B00325 SCREW 11/64-40 L=2.8	2
26	B00326 LOOPER SHAFT BUSHING, FRONT	1
27		0
28	B00328 LOOPER SHAFT	1
29	B00329 THRUST COLLAR	1
30	B00330 SCREW 15/64-28 L=4	1
31	B00331 SCREW 15/64-28 L=4	1
32	B00332 LOOPER SHAFT DRIVEN GEAR	1
33	B00333 SCREW 1/4-40 L=6	2
34	B00334 THRUST BALL BEARING	1
35	B00335 LOOPER SHAFT BUSHING, REAR	1
36		0
37	B00337 DRIVEN WORM	1
38	B00338 SCREW 1/4-40 L=7	2
39	B00339 CAM SHAFT DRIVEN GEAR	1
40	B00340 SCREW 1/4-40 L=6	2
41	B00341 SCREW 11/64-40 L=8.5	3
42	B00342 THROAT PLATE	1
43	B00343 MOVING KNIFE	1
44	B00344 HINGE SCREW D=6 H=0.85	1
45	B00345 COUNTER KNIFE	1
46	B00346 SCREW 1/8-44 L=3	2
47	B00347 NEEDLE GUARD	1
48	B00348 YOKE SLIDE	1
49	B00349 POSITIONING FINGER YOKE SLIDE	1
50	B00350 YOKE SLIDE INSERT	1
51		0

4. NIPPER & THREAD HANDLING PARTS COMPONENTS



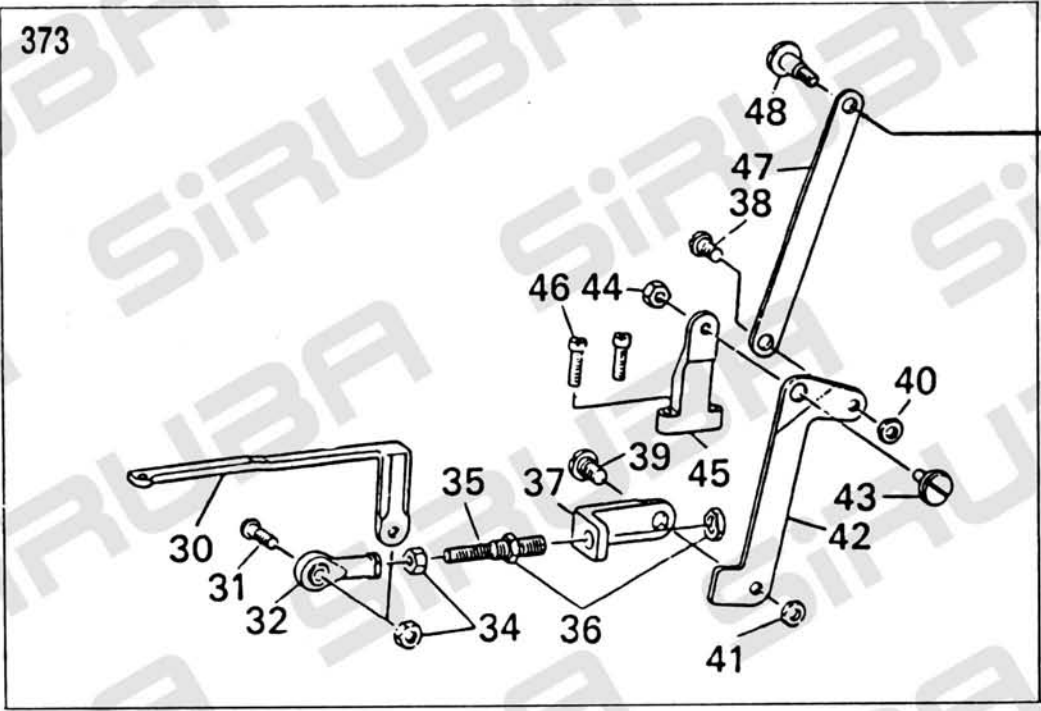
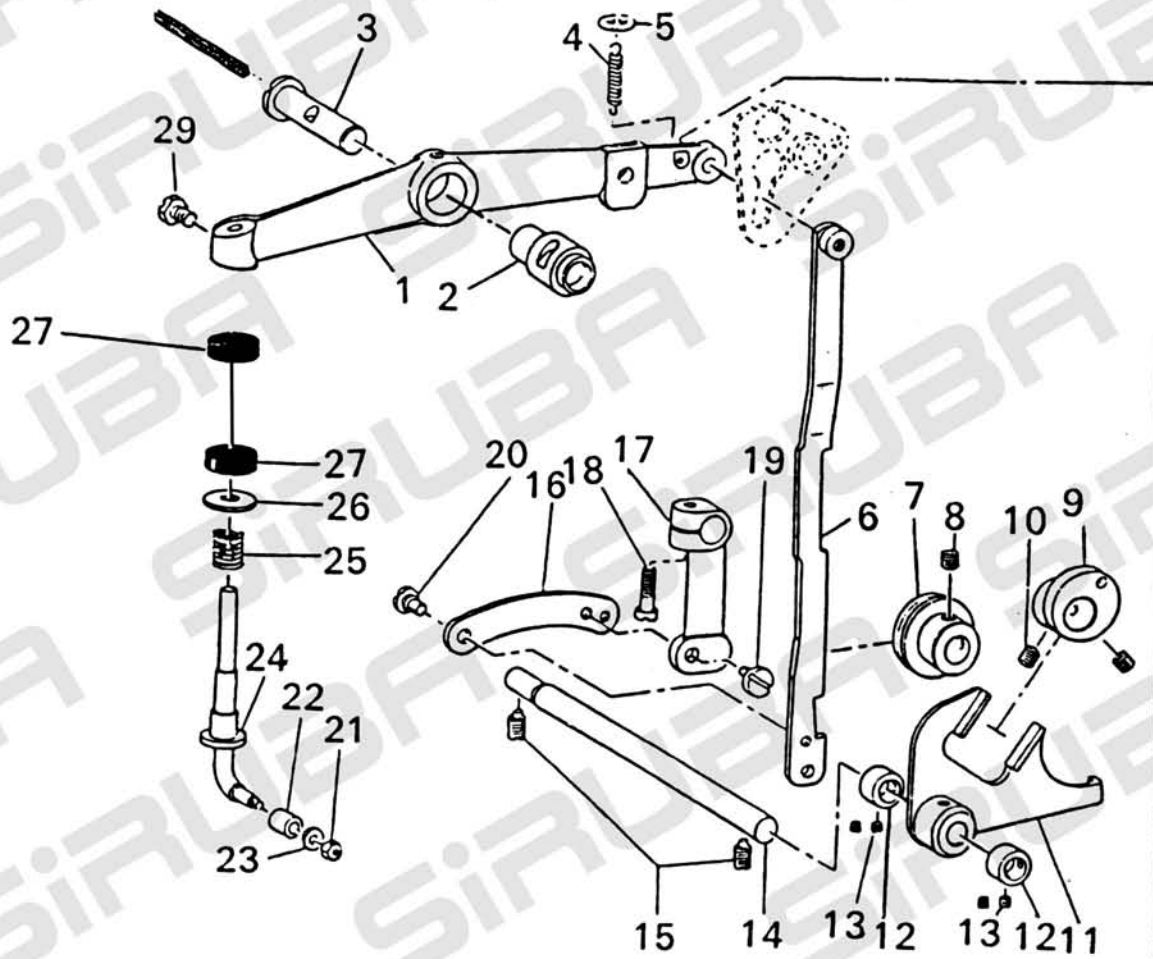
	Part No.	Description	Amt. Req.
1	B00401	SCREW 15/64-28 L=12	1
2	B00402	THREAD GUIDE	1
3	B00403	HINGE SCREW D=7.94 H=12.7	1
4	B00404	NUT	2
5	B00405	NUT	1
6	B00406	THREAD NIPPER	1
7	B00407	THREAD RELEASING SCREW STUD	1
8	B00408	NIPPER BAR BLOCK SPRING	1
9	B00409	NIPPER BAR BLOCK SPRING SCREW	1
10	B00410	SCREW D=4 H=20	1
11	B00411	NIPPER BLOCK SPRING	1
12	B00412	NIPPER BLOCK	1
13	B00413	HINGE SCREW D=7.94 H=15	1
14	B00414	THREAD PULL-OFF LEVER	1
15	B00415	THREAD GUIDE	1
16	B00416	SCREW 9/64-40 L=4.6	1
17	B00417	THREAD GUIDE	2
18	B00418	NIPPER BAR BLOCK SPRING PIN	1
19	B00419	SCREW 3/16-28 L=9	1
20	B00420	WASHER	2
21	B00421	NIPPER BAR BLOCK	1
22	B00422	NIPPER BAR BLOCK REAR	1
23	B00423	NIPPER BAR	1
24	B00424	SCREW 3/16-28 L=9	1
25	B00425	TENSION POST ASM.	1
26	B00426	TENSION NUT	1
27	B00427	TENSION DISC STOPPER	1
28	B00428	TENSION SPRING	1
29	B00429	TENSION DISC HOLDER	1
30	B00430	TENSION DISC	2
31	B00431	TENSION POST	1
32	B00432	TENSION RELEASE PIN	1
33	B00433	NUT	1
34	B00434	SPRING PIN	1
35	B00435	SCREW 3/16-28 L=9	1
36	B00436	WASHER	1
37	B00437	THREAD TENSION RELEASING LEVER	1
38	B00438	THREAD TENSION ASM.	1
39	B00439	THREAD TENSION STUD NUT	1
40	B00440	TENSION SPRING	1
41	B00441	TENSION DISC	2
42	B00442	THREAD TENSION STAFF	1
43	B00443	THREAD GUIDE	1
44	B00444	THREAD GUIDE	1
45	B00445	SCREW 15/64-28 L=12	1
46	B00446	ADJUSTING SCREW	1
47	B00447	WASHER	2
48	B00448	SCREW 3/16-28 L=15.5	1
49	B00449	SCREW 3/16-28 L=9.5	1
50	B00450	BOLT 15/64-28 L=14	1
51	B00451	NUT	1
52	B00452	NIPPER BAR SPRING SCREW	1
53	B00453	NIPPER BAR SPRING	1
54	B00454	WASHER	1
55	B00455	NUT	1
56	B00456	HINGE SCREW D=7.94 H=8	1
57	B00457	NIPPER BAR ACTUATING LEVER	1
58	B00458	NIPPER BAR BEARING BLOCK	1

5. FEED PLATE COMPONENTS



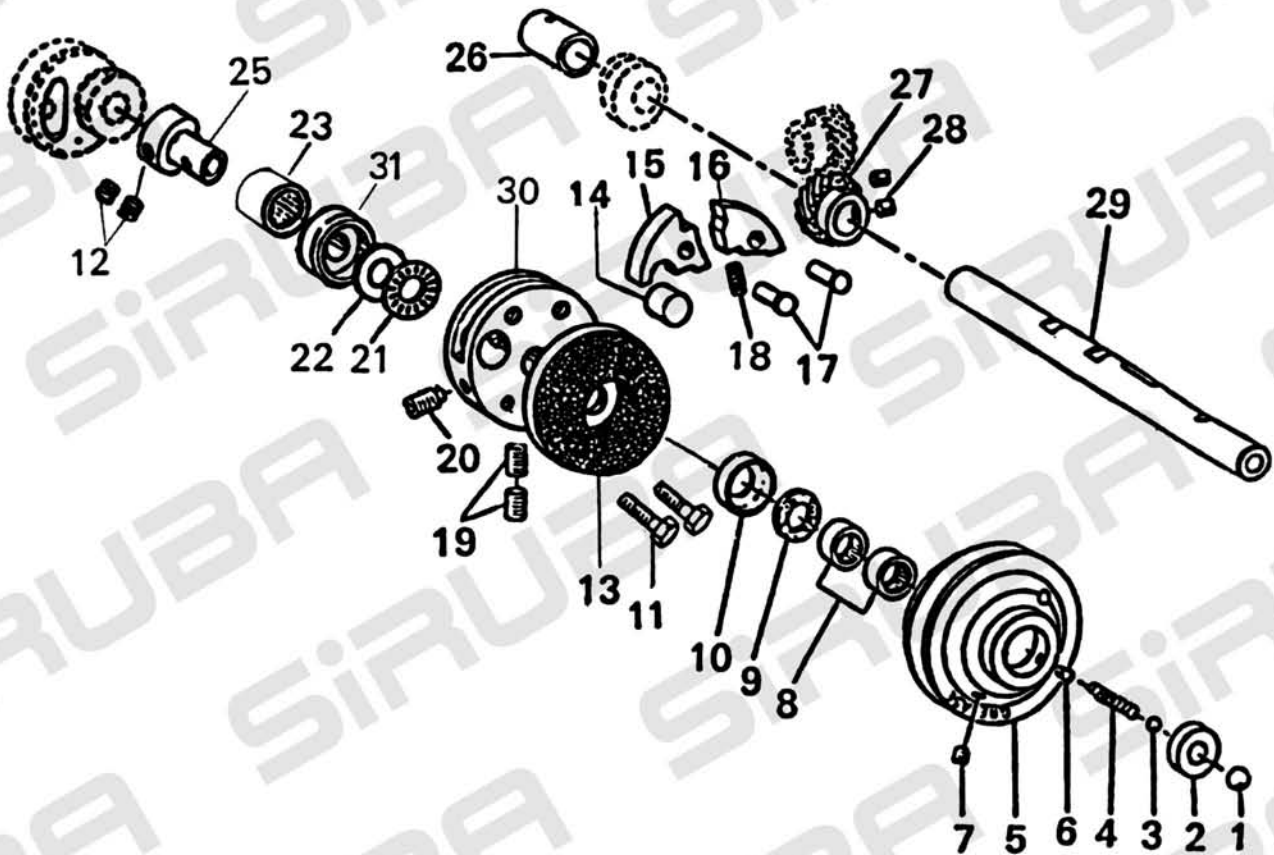
	Part No.	Description	Amt. Req.
1	BO0501	FEED PLATE	1
2	BO0502	WASHER	1
3	BO0503	SCREW 3/16-28 L=6	2
4	BO0504	INDICATOR PIN BEARING BLOCK	1
5	BO0505	CROSSWISE FEED INDICATOR	1
6	BO0506	CROSSWISE FEED INDICATOR PIN	1
7	BO0507	NUT	1
8	BO0508	HINGE SCREW FOR CROSSWISE FEED	1
9	BO0509	SLIDE PLATE CONNECTING LINK	1
10	BO0510	HINGE SCREW D=6.35 H=9.6	2
11	BO0511	STUD M6-1.0 D=8.0	1
12	BO0512	INTERMEDI CONNECTING LINK	1
13	BO0513	WASHER	1
14	BO0514	NUT	1
15	BO0515	INDICATOR SPRING CONNECTING LINK	1
16			0
17	BO0517	HANDLE & INDICATOR SPRING	1
18	BO0518	SCREW 9/64-40 L=6	3
19	BO0519	CAM ROLL	2
20	BO0520	LENGTHWISE FEED LEVER	1
21	BO0521	LENGTHWISE FEED LEVER SLIDE BLOCK	1
22	BO0522	CAM ROLL SCREW STUD M10-1.25 D=8.0	2
23	BO0523	FEED STUD	2
24	BO0524	CAM ROLL SCREW STUD	1
25	BO0525	LENGTHWISE FEED GRADUATE PLATE	1
26	BO0526	SCREW 3/16-28 L=6	2
27	BO0527	HINGE SCREW D=6.35 H=4.8	2
28	BO0528	INTERMEDI CONNECTING LINK	2
29	BO0529	SCREW 15/64-28 L=20	1
30	BO0530	CROSSWISE FEED LEVER	1
31	BO0531	CAM SHAFT	1
32			0
33			0
34	BO0534	CAM SHAFT BUSHING, RIGHT	1
35	BO0535	SCREW 15/64-28 L=10.5	2
36	BO0536	CROSSWISE FEED CAM	1
37	BO0537	LENGTHWISE FEED CAM	1
38	BO0538	SCREW 9/32-28 L=13.5	5
39	BO0539	CAM SHAFT BUSHING, LEFT	1
40	BO0540	SCREW M2.5x8	2
41	BO0541	CROSSWISE FEED GRADUATED PLATE WASHER	2
42	BO0542	CROSSWISE FEED GRADUATED PLATE	1
43	BO0543	FEED PLATE	1
44	BO0544	FEED PLATE (373)	1
45	BO0545	LENGTHWISE FEED CAM (373)	1
46	BO0546	CROSSWISE FEED CAM (373)	1
47	BO0547	CROSSWISE FEED CAM (373-X)	1
48	BO0548	CROSSWISE FEED CAM (6, 12, 24)	1

6. BUTTON CLAMP LIFTER COMPONENTS



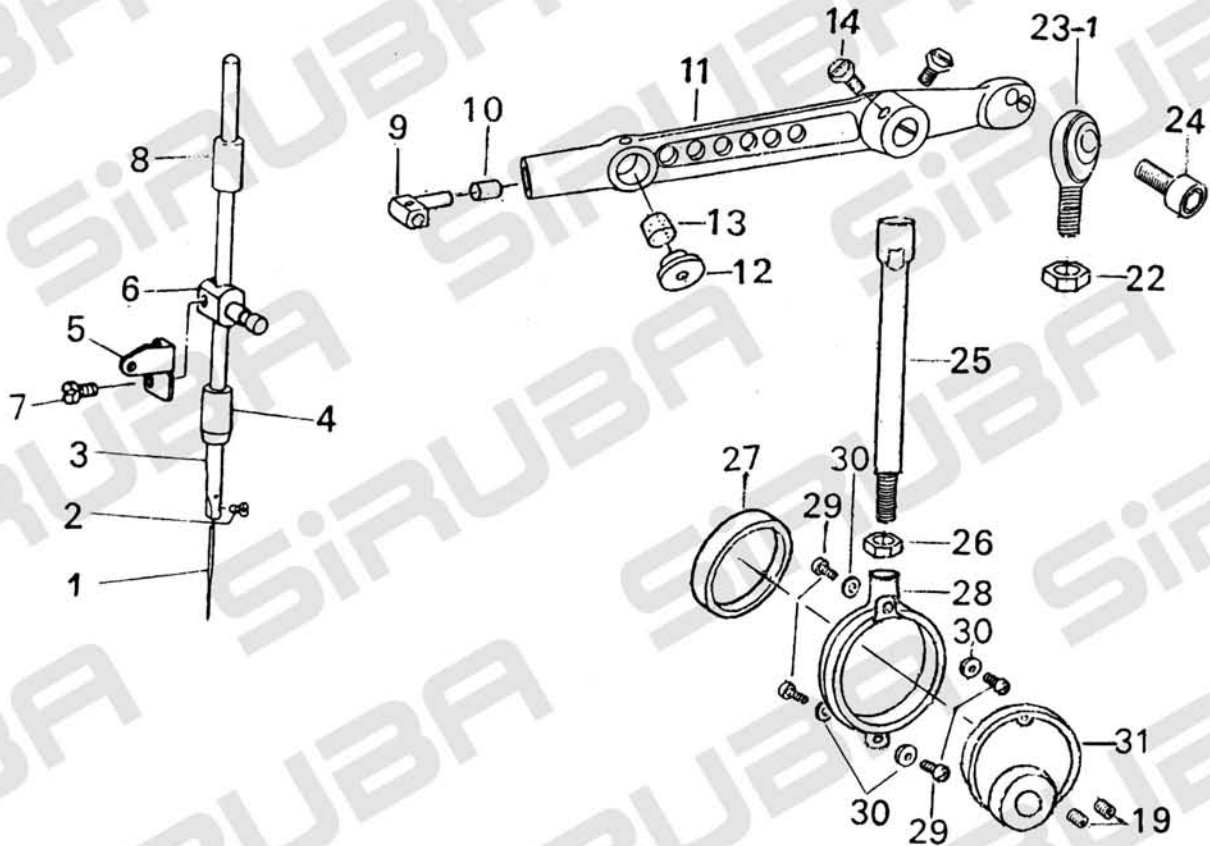
	Part No.	Description	Amt. Req.
1	BO0601	BUTTON CLAMP LIFTING LEVER	1
2	BO0602	BUSHING	1
3	BO0603	BUTTON CLAMP LIFTING LEVER SHAFT	1
4	BO0604	NIPPER BAR ACTUATING LEVER SPRINC	1
5	BO0605	WASHER	1
6	BO0606	BUTTON CLAMP LIFTING LINK	1
7	BO0607	SLIDING ROLLER	1
8	BO0608	SCREW 15/64-28 L=5	1
9	BO0609	ECCENTRIC CAM	1
10	BO0610	SCREW 1/4-40 L=6	2
11	BO0611	BUTTON CLAMP LIFTING	1
12	BO0612	THRUST COLLAR	2
13	BO0613	SCREW 11/64-40 L=3.5	4
14	BO0614	LEVER SHAFT	1
15	BO0615	SCREW 15/64-28 L=10.5	2
16	BO0616	LIFTING LINK CONNECTING LINK	1
17	BO0617	LIFTING LINK LEVER	1
18	BO0618	SCREW 3/16-28 L=15	1
19	BO0619	HINGE SCREW M5-0.8 L=8	1
20	BO0620	HINGE SCREW D=6.35 H=2.1	1
21	BO0621	NUT	1
22	BO0622	BUTTON CLAMP LIFTING ROD ROLL	1
23	BO0623	WASHER	1
24	BO0624	BUTTON CLAMP LIFTING ROD	1
25	BO0625	SPRING	1
26	BO0626	WASHER	3
27	BO0627	CUSHION	2
28			0
29	BO0629	SCREW 15/64-28 L=11	1
30	BO0630	CONNECTING LINK,FRONT	1
31	BO0631	JOINT STUD M5-0.8X16	1
32	BO0632	FEED ADJUSTING JOINT	1
33			0
34	BO0634	NUT	2
35	BO0635	CONNECTING SCREW	1
36	BO0636	NUT 15/64-24	2
37	BO0637	CONNECTING LINK,REAR	1
38	BO0638	HINGE SCREW M6-1.0 D=8.0 H=3.2	1
39	BO0639	HINGE SCREW M6-1.0 D=8.0 H=3.2	1
40	BO0640	NUT M6-1.0	1
41	BO0641	NUT M6-1.0	1
42	BO0642	THREAD TRIMMING LINK	1
43	BO0643	HINGE SCREW M6-1.0 D=8.0 H=3.2	1
44	BO0644	NUT M6-1.0	1
45	BO0645	THREAD TRIM LEVER BASE	1
46	BO0646	SCREW 11/64-40 L=14	2
47	BO0647	THREAD TRIMMING LINK	1
48	BO0648	HINGE SCREW D=6.35 H=13.2	1

7. NEEDLE DRIVING PULLEY SHAFT MECHANISM COMPONENTS



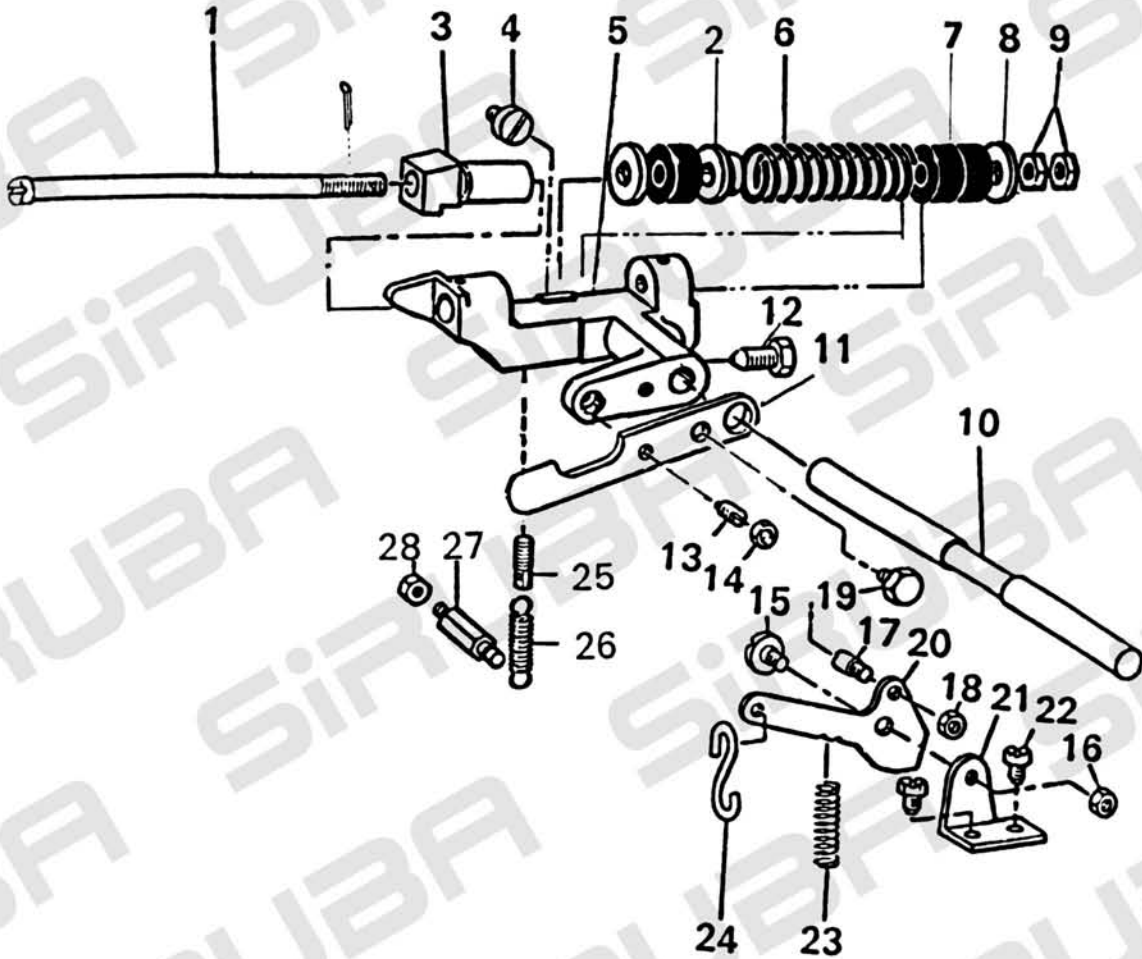
Part No.	Description	Amt. Req.
1	BO0701 BALL LARGE	1
2	BO0702 PULLEY INSERT	1
3	BO0703 BALL SMALL	1
4	BO0704 SPRING	1
5	BO0705 NEEDLE DRIVING PULLEY	1
6	BO0706 SCREW 11/64-40 L=6.5	1
7	BO0707 SCREW 15/64-28 L=4	1
8	BO0708 NEEDLE BEARING	2
9	BO0709 GREASE RETAINING WICK	1
10	BO0710 RETAINING WASHER	1
11	BO0711 SCREW 15/64-28 L=23.5	2
12	BO0712 SCREW 15/64-28 L=5	2
13	BO0713 NEEDLE DRIVING PULLEY CLUTCH DISC	1
14	BO0714 SEAL PLUG	1
15	BO0715 STOP MOTION DISC PAWL	1
16	BO0716 STOP MOTION DISC LATCH	1
17	BO0717 SCREW D=6.35 H=16	2
18	BO0718 SPRING	1
19	BO0719 SCREW 5/16-24 L=10	2
20	BO0720 SCREW 5/16-24 L=17	2
21	BO0721 THRUST BALL BEARING	1
22	BO0722 ECCENTRIC WASHER	1
23	BO0723 NEEDLE BEARING	1
24		0
25	BO0725 LOOPER & CAM SLEEVE	1
26	BO0726 PULLEY SHAFT BUSHING, LEFT	1
27	BO0727 DRIVING GEAR	1
28	BO0728 SCREW 1/4-40 L=6	2
29	BO0729 NEEDLE DRIVING PULLEY SHAFT	1
30	BO0730 STOP MOTION DISC	1
31	BO0731 TALLOW COVER	1

8. NEEDLE BAR DRIVING MECHANISM COMPONENTS



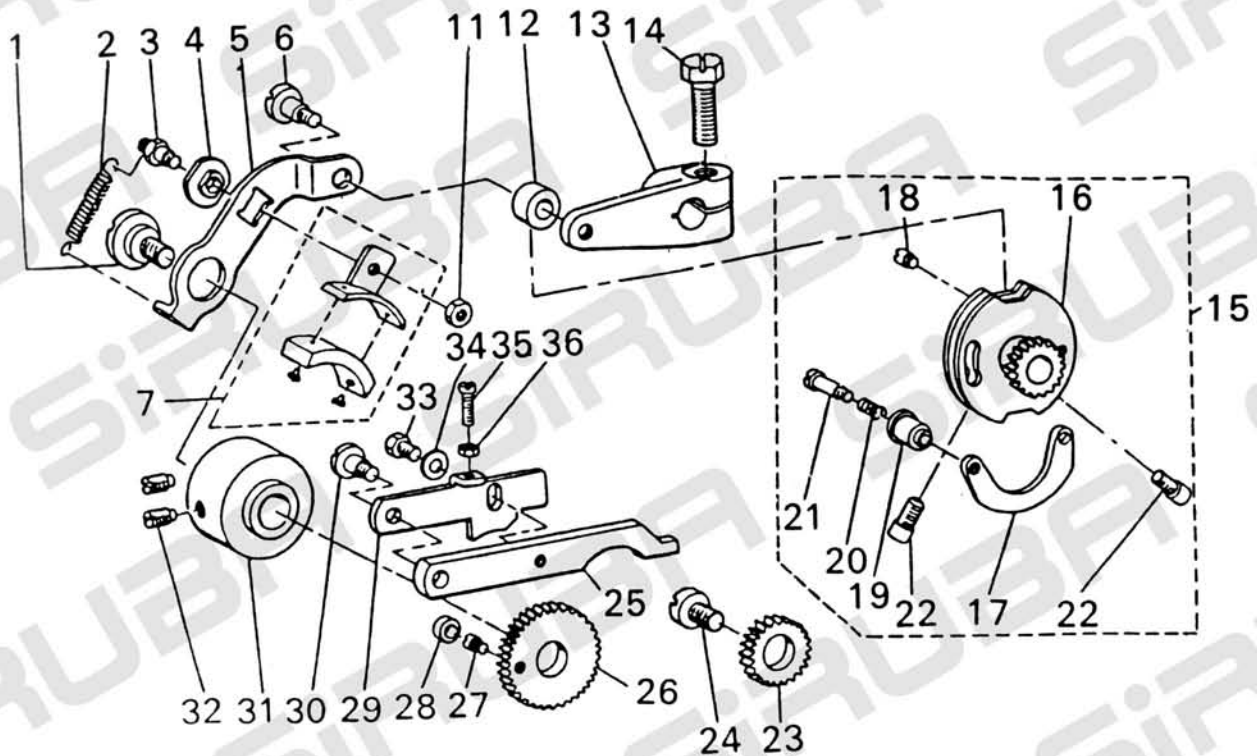
No.	Description	Req.
1	B00801 NEEDLE	1
2	B00802 SCREW 1/8 - 44 L=4.5	1
3	B00803 NEEDLE BAR	1
4	B00804 NEEDLE BAR BUSHING, LOWER	1
5	B00805 NEEDLE BAR BALANCE	1
6	B00806 NEEDLE BAR CLAMP	1
7	B00807 SCREW 9/64 - 40 L=12	1
8	B00808 NEEDLE BAR BUSHING, UPPER	1
9	B00809 NEEDLE BAR BEARING BLOCK	1
10	B00810 BUSHING	1
11	B00811 NEEDLE BAR LEVER	1
12	B00812 SEAL PLUG	1
13	B00813 OIL FELT	1
14	B00814 SCREW 15/64 - 28 L=15.5	2
19	B00819 SCREW 1/4 - 40 L=6	2
22	B00822 NUT - M8	1
23-1	B00823 BALL BEARING	1
24	B00824 SCREW 9/32 - 28 L=20	1
25	B00825 CRANK ROD	1
26	B00826 NUT - M7	1
27	B00827 BEARING	1
28	B00828 CRANK	1
29	B00829 SCREW M3 - 0.5 * 4	4
30	B00830 WASHER	4
31	B00831 ECCENTRIC CAM	1

9. STOP MOTION MECHANISM COMPONENTS



Part No.	Description	Amt. Req.
1	B00901 STOP MOTION PLUNGER ROD	1
2	B00902 SEAL PLUG	1
3	B00903 STOP MOTION PLUNGER	1
4	B00904 SCREW 15/64-28 L=10	1
5	B00905 STOP MOTION PLUNGER LEVER	1
6	B00906 STOP MOTION DISC SPRING	1
7	B00907 RUBBER CUSHION	4
8	B00908 WASHER	4
9	B00909 NUT	2
10	B00910 STOP MOTION LEVER SHAFT	1
11	B00911 STOP MOTION DISC PRESSURE LEVER	1
12	B00912 SCREW 5/16-18 L=20	1
13	B00913 SCREW 15/64-28 L=15	1
14	B00914 NUT	1
15	B00915 HINGE SCREW D=8.0 H=3.0	1
16	B00916 NUT	1
17	B00917 STOP SCREW	1
18	B00918 NUT	1
19	B00919 SCREW 15/64-28 L=10.5	1
20	B00920 STOP MOTION TRIP LEVER	1
21	B00921 STOP MOTION TRIP LEVER BRACKET	1
22	B00922 SCREW 15/64-28 L=15	2
23	B00923 SPRING	1
24	B00924 S SHAPED HOOK	1
25	B00925 SPRING HANGER M6-1.0 L=21	1
26	B00926 STOP MOTION LEVER SPRING	1
27	B00927 SCREW STUD	1
28	B00928 NUT	1

10. STITCH SELECTING PARTS COMPONENTS



Part No.	Description	Amt. Req.
1	B01001 HINGE SCREW D=12.7 H=3.2	1
2	B01002 SPRING	1
3	B01003 FRICTION PLATE ROTATING STUD	1
4	B01004 SLIDE BLOCK	1
5	B01005 SPEED SLOWING LEVER	1
6	B01006 HINGE SCREW D=7.94 H=13.3	1
7	B01007 FRICTION PLATE HOLDER ASM.	1
8		0
9		0
10		0
11	B01011 NUT	1
12	B01012 STOP MOTION TRIPPING LEVER CAM ROLL	1
13	B01013 STOP MOTION TRIPPING LEVER	1
14	B01014 SCREW 5/16-18 L=24	1
15	B01015 STOP MOTION CAM ASM.	1
16	B01016 STOP MOTION CAM	1
17	B01017 STOP MOTION CAM SHOE	1
18	B01018 SCREW	1
19	B01019 STOP MOTION CAM KNOB	1
20	B01020 SPRING	1
21	B01021 HINGE SCREW D=4.8 H=14.5	1
22	B01022 SCREW 15/64-28 L=10	2
23	B01023 STITCH SELECTING SPUR GEAR	1
24	B01024 SCREW STUD	1
25	B01025 STITCH SELECTING LEVER	1
26	B01026 STITCH SELECTING SPUR GEAR, LARGE	1
27	B01027 SCREW	1
28	B01028 ROLL	1
29	B01029 STITCH SELECTING LATCH	1
30	B01030 HINGE SCREW D=6.35 H=9.6	1
31	B01031 SPEED SLOWING FRICTION WHEEL	1
32	B01032 SCREW 15/64-28 L=6	2
33	B01033 SCREW 11/64-40 L=10	1
34	B01034 WASHER	1
35	B01035 SCREW 9/64-40 L=10	1
36	B01036 SCREW 9/64-40	1