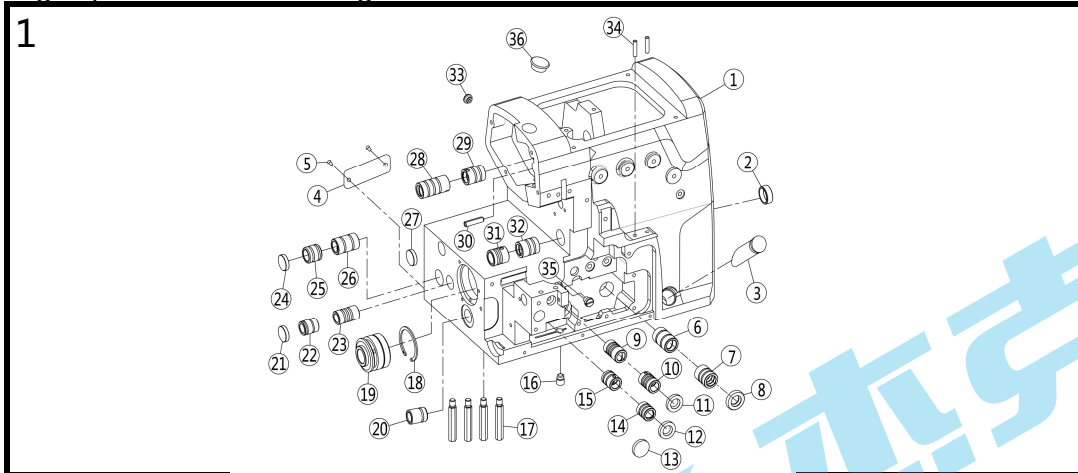


JACK

快速服务 100%

E3超高速包缝机系列
high speed overlock sewing machine

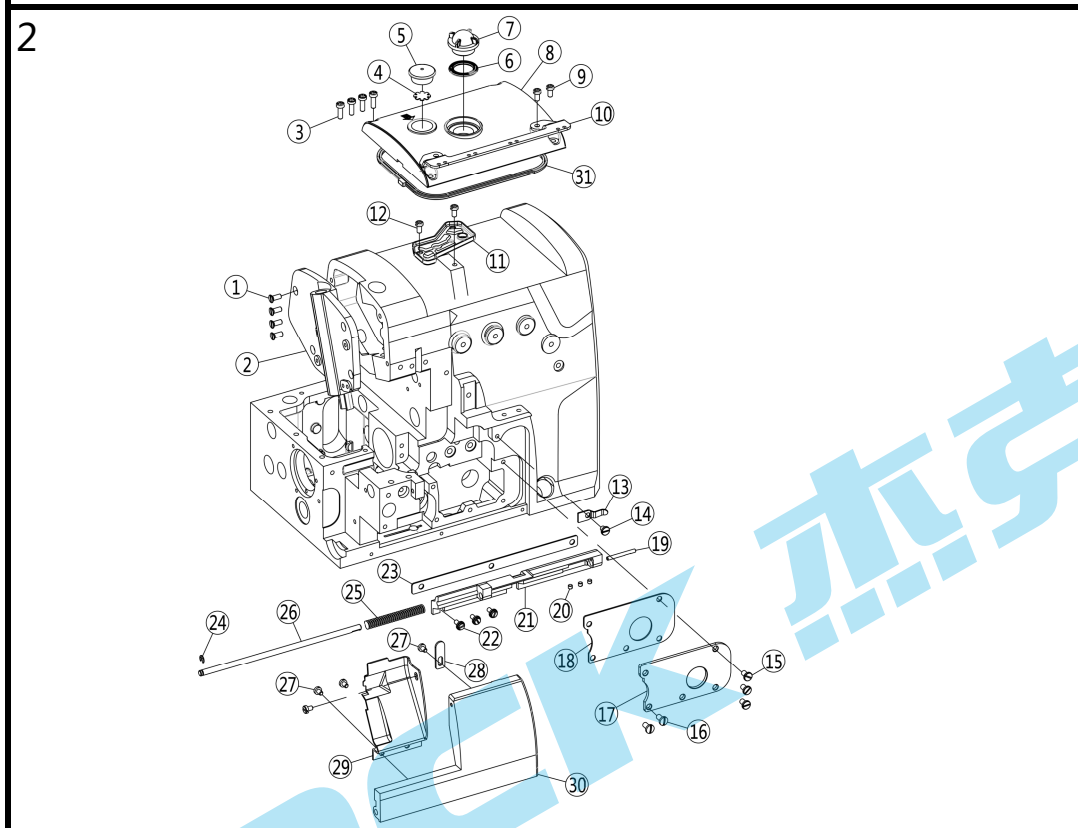
零件手册
Parts Manual



一、机壳部件 Machine Bed Frame

序号 NO.	公司件号 Part NO.	名称 PartName	零件描述 Description	数量 (Number)		
				三线 three-thread	四线 four-thread	五线 five-thread
1	304094	机壳	Machine Bed Complete	1	1	1
2	20122005	油封	Oil seal	1	1	1
3	20111010	油标	Oil sight	1	1	1
4	13837003	型号牌	Machine model plate	1	1	1
5	R03001	铆钉2.5X4	Rivet	2	2	2
6	20103009	上弯针轴后套筒	Sleeve	1	1	1
7	20703001	上轴右套	Sleeve	1	1	1
8	20122025	上弯针轴油封	Oil seal	1	1	1
9	20103015	横轴右套筒	Sleeve	1	1	1
10	20103011	下弯针前套筒	Sleeve	1	1	1
11	20622019	油封	Oil seal	1	1	1
12	20622019	油封	Oil seal	0	0	1
13	20122040	前弯针轴孔油封	Oil seal	1	1	0
14	20103013	前弯针轴前套筒	Sleeve	0	0	1
15	20103014	前弯针轴后套筒	Sleeve	0	0	1
16	2012603100	滤油销组件	Oil filter pin component	1	1	1
17	206S30001	支柱	Bed pin	4	4	4
18	20129001	卡簧	Ring	1	1	1
19	20103003	主轴左套筒	Sleeve	1	1	1
20	20103017	差动轴套筒	Sleeve	1	1	1
21	20122028	油封	Oil seal	0	0	1
21	20122008	油封I	Oil seal	1	1	0
22	20103016	横轴左套筒	Sleeve	0	0	1
23	20103015	横轴右套筒	Sleeve	0	0	1
24	20122009	油封II	Oil seal	1	1	1
25	20103019	送布轴左套筒	Sleeve	1	1	1
26	20103020	送布轴右套筒	Sleeve	1	1	1
27	20122008	油封I	Oil seal	1	1	1
28	20703002	上轴左套	Sleeve	1	1	1
29	20703001	上轴右套	Sleeve	1	1	1

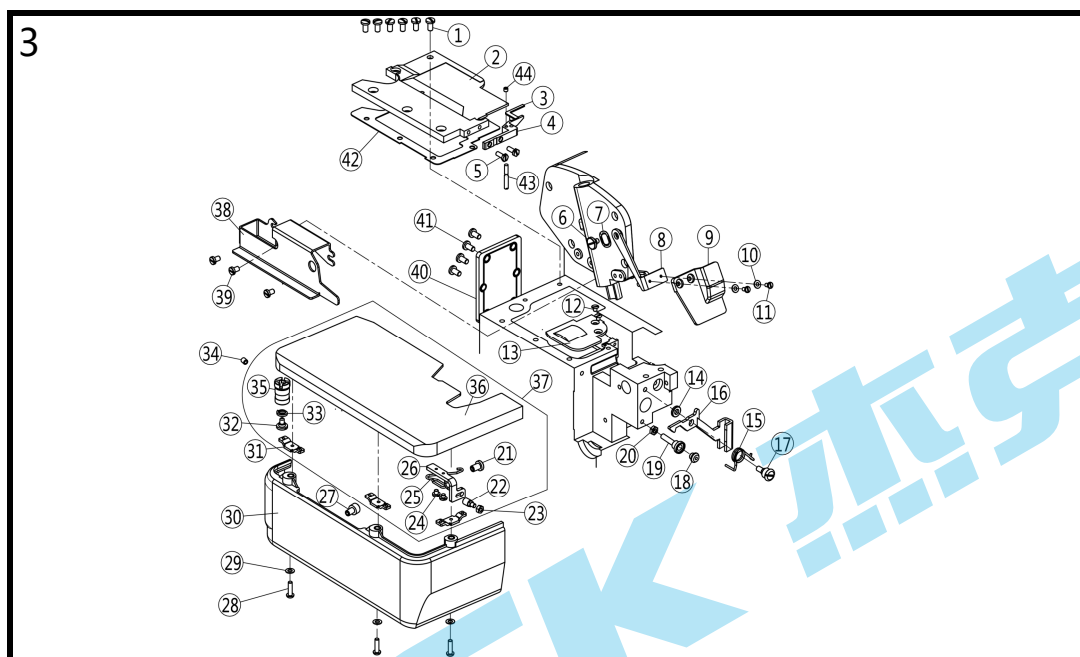
30	P03042	弹性圆柱销 $\phi 5 \times 22$	Pin	1	1	1
31	20103023	上刀轴左套筒	Sleeve	1	1	1
32	20703001	上轴右套	Sleeve	1	1	1
33	20122003	油封	Oil seal	1	1	1
34	20113013	穿线管	Pipe	2	2	2
35	201S11039	螺钉	Pipe	1	1	1
36	20722004	油塞	Oil seal	1	1	1



二、罩壳部件 (1) Cover Assemblies (1)

序号 NO.	公司件号 Part NO.	名称 PartName	零件描述 Description	数量 (Number)		
				三线	四线	五线
				three-thread	four-thread	five-thread
1	207S17005	开槽沉头螺钉M4X8	Screw	4	4	4
2	304095	侧盖	Side Cover	1	1	1
3	S04019	十字槽盘头螺钉M4x12	Screw	4	4	4
4	21012018	油封垫	Oil Seal washer	1	1	1
5	21022007	油封	Oil Seal	1	1	1
6	21022003	油窗垫	Washer	1	1	1
7	20711055	油标盖	Oil sight window	2	2	2
8	302706	上盖	Top Cover	1	1	1
9	207S11007	十字槽圆柱头螺钉	Screw	2	2	2
10	21213011	上盖过线板	Thread Guide	1	1	1
11	20112322	接油盘	Oil guard	1	1	1
12	207S11007	十字槽圆柱头螺钉	Screw	2	2	2
13	20112020	前罩挡板簧	Front cover snap guard	1	1	1
14	201S11014	螺钉	Screw	1	1	1
15	201S11016	螺钉	Screw	2	2	2
16	201S11018	螺钉	Screw	2	2	2
17	20112012	上弯针密封板	Upper looper sealing plate	1	1	1
18	20122015	上弯针密封板垫	Upper looper sealing plate washer	1	1	1
19	20126003	前罩架销	Pin	1	1	1
20	201S15001	螺钉	Screw	3	3	3
21	20101007	前罩架	Front cover hinge	1	1	1
22	201S11038	螺钉	Screw	3	3	3

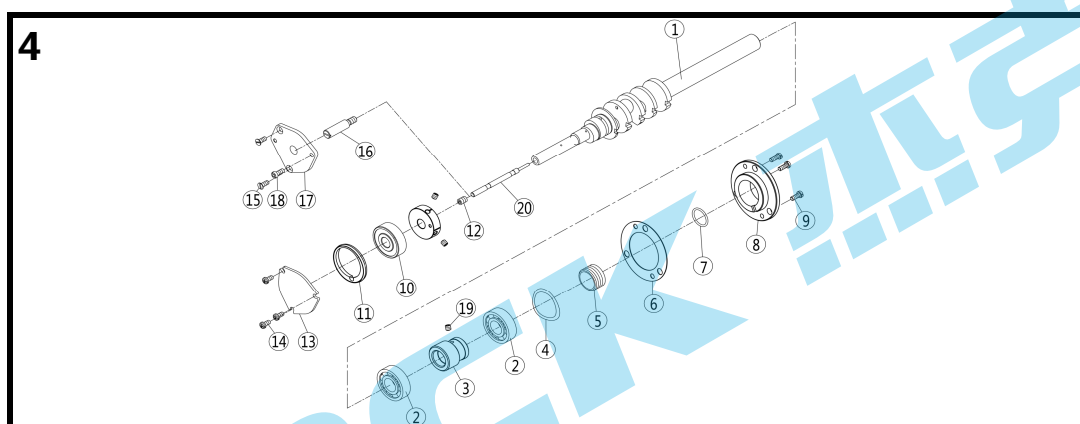
23	20122017	前罩架垫	Front cover hinge washer	1	1	1
24	H05002	开口挡圈3	Snap spring	1	1	1
25	20127005	前罩架弹簧	Front cover hinge spring	1	1	1
26	20126004	前罩销	Hinge Pin	1	1	1
27	201S11009	开槽圆柱头螺钉	Screw	4	4	4
28	20112017	前罩簧片	Front spring	1	1	1
29	20112100	前罩挡板	Front cover guard	1	1	0
29	20112101	前罩挡板(五线)	Front cover guard	0	0	1
30	301642	前罩	Front cover	1	1	1
31	21122001	上盖油封	Gasket	1	1	1



三、罩壳部件 (2) Cover Assemblies (2)

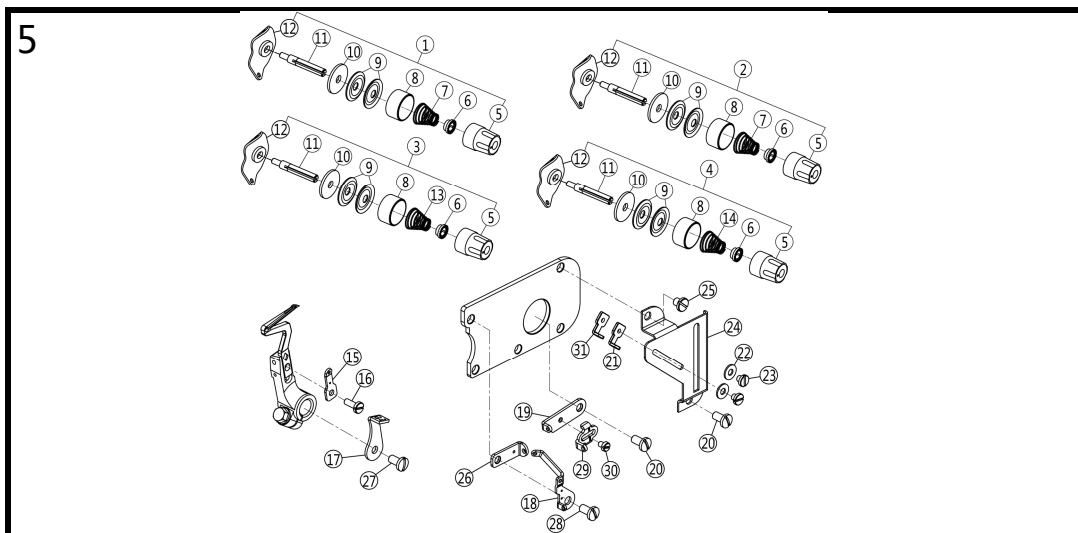
序号 NO.	公司件号 Part NO.	名称 PartName	零件描述 Description	数量 (Number)		
				三线	四线	五线
				three-thread	four-thread	five-thread
1	201S11016	螺钉	Screw	5	5	5
2	20101004	盖板	Cover	1	1	1
3	20122024	挡板垫	Plate washer	1	1	1
4	20101019	挡板	Plate	1	1	1
5	201S12009	开槽外六角螺钉	Screw	2	2	2
6	206S20004	螺钉M4×3.7	Screw	1	1	1
7	20128015	波形垫圈	Washer	1	1	1
8	20112098	托架(长)	Bracket	1	1	1
9	20711005	防护罩	Eye guide	1	1	0
9	20711019	防护罩	Eye guide	0	0	1
10	S01034	螺钉M3×5.7	Screw	2	2	2
11	W01011	垫圈3	Washer	2	2	2
12	201S17004	螺钉	Screw	2	2	2
13	20111003	挡油罩	Oil baffle cover	1	1	1
14	20128030	差动牙架连杆套垫圈	Washer	2	2	2
15	20127004	缝台盖簧	Cloth Plate cover spring	1	1	1
16	20112011	缝台盖扳手	Cloth Plate slider cover	1	1	1
17	201S20003	螺钉	Screw	1	1	1
18	20122011	胶套	Rubber bushing	1	1	1
19	201S30011	缝台盖防震螺钉	Screw	1	1	1
20	201S16003	螺母	Nut	1	1	1
21	20122012	胶套	Rubber bushing	1	1	1
22	201S30007	螺钉	Screw	1	1	1
23	201S16001	螺母	Nut	1	1	1
24	201S11006	开槽圆柱头螺钉	Screw	2	2	2

25	20127003	缝台盖开启弹簧	Spring	1	1	1
26	20112009	大盖夹簧座	Pedestal	1	1	1
27	20122013	胶套	Rubber bushing	1	1	1
28	201511037	螺钉	Screw	3	3	3
29	20128019	垫圈	Washer	3	3	3
30	20111002	缝台下罩壳	Cloth palte lower Plate	1	1	1
31	20112008	罩壳连接板	Casing connection plate	3	3	3
32	201520010	缝台偏心套螺钉	Screw	1	1	1
33	20128001	弹簧垫圈	Washer	1	1	1
34	201514002	内六角尖端紧定螺钉	Screw	1	1	1
35	20103001	缝台偏心套	Sleeve	1	1	1
36	20112006	缝台盖板	Bed cover plate	1	1	1
37	2011208100	缝台盖板组件	Cloth Plate	1	1	1
38	20112202	挡料板	Fabric Guide	1	1	1
39	S01002	开槽圆柱头螺钉M4×6.5	Screw	3	3	3
40	20112002	后盖板	Cover Plate	1	1	1
41	201511016	螺钉	Screw	4	4	4
42	20122007	盖板垫	Cover Washer	1	1	1
43	201530010	螺钉	Screw	1	1	1
44	405S15001	螺钉	Screw	1	1	1



四、主轴部分 Main Shaft Assemblies

序号 NO.	公司件号 Part NO.	名称 PartName	零件描述 Description	数量 (Number)		
				三线 three-thread	四线 four-thread	五线 five-thread
1	20102204	主轴 (厚料)	Main shaft	1	1	1
2	B03001	轴承 6003-Z	Bearing	2	2	2
3	20125001	油泵蜗杆	Oil Pump worm	1	1	1
4	20128002	主轴弹簧垫圈	Main shaft spring washer	1	1	1
5	20103002	主轴中轴套	Main shaft bysgubg asm	1	1	1
6	20122019	滚针轴承制动垫	Washer	1	1	1
7	O01003	O型圈16X1.8	Seal ring	1	1	1
8	20101074	滚针轴承制动盖	Rear shaft spring cover	1	1	1
9	201511016	螺钉	Screw	3	3	3
10	20124003	轴承	Bearing	1	1	1
11	20722027	左轴承盖油封	Washer	1	1	1
12	207S11047	堵油螺钉	Screw	1	1	0
13	20112106	三四线左盖板	Cover	1	1	0
14	113S11004	松线导管压板螺钉	Screw	3	3	0
15	207S17005	开槽沉头螺钉M4X8	Screw	0	0	2
16	20126024	凸轮轴	Bulgy pulley shaft	0	0	1
17	20112107	五线左盖板	Cover	0	0	1
18	113S11004	松线导管压板螺钉	Screw	0	0	1
19	201514002	内六角尖端紧定螺钉	Screw	1	1	1
20	20726002	销	Pin	1	1	1

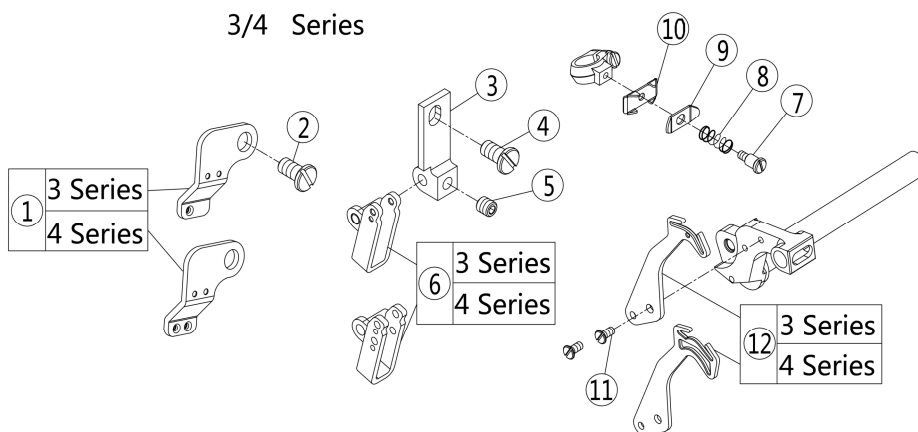


五、过线部件 (1) Thread Guide and Thread Takeup (1)

序号 NO.	公司件号 Part NO.	名称 PartName	零件描述 Description	数量 (Number)		
				三线	四线	五线
				three-thread	four-thread	five-thread
1	2111300500	夹线器组件 (红)	Tension Spring Assembly (Yellow)	1	1	1
2	2111300800	夹线器组件 (黄)	Tension Spring Assembly (Red)	0	1	1
3	2111300600	夹线器组件 (蓝)	Tension Spring Assembly (Blue)	1	1	1
4	2111300700	夹线器组件 (绿)	Tension Spring Assembly (Green)	1	1	1
5	21111091	夹线器螺母	Knob	3	4	4
6	20111014	调压止动套	Ratchet	3	4	4
7	20227001	夹线簧(粗)	Thread tension spring	2	2	2
8	20111015	调压止动盖	Cup	3	4	4
9	21311161	夹线片	Tension Disc	6	8	8
10	20123018	羊毛垫	Felt	3	4	4
11	201S30016	夹线螺钉	Screw Stud	3	4	4
12	20113002	过线板	Thread guide	3	4	4
13	20227002	夹线簧(细)	Thread tension spring	1	1	1
14	20227003	夹线簧(中)	Thread tension spring	1	1	1
15	20113016	下弯针过线	Lower looper thread guide	1	1	1
16	206S11002	螺钉	Lower looper	1	1	1
17	20113032	上弯针轴过线板	Thread guide	1	1	1
18	20113033	下弯针三孔过线	Lower looper3-thread guide	1	1	1
19	20713010	挑线架	Thread guide	1	1	1
20	201S11016	螺钉	Screw	1	1	1
21	20113035	上弯针过线	Upper looper thread guard	1	1	1
22	20128020	垫圈	Thread guide washer	2	2	2
23	201S11006	开槽圆柱头螺钉	Thread guide screw	2	2	2
24	20112027	调线刻度板	Thread amount regulating plate	1	1	1
25	201S11014	螺钉	Screw	1	1	1
26	20113036	上弯针过线	Lower looper thread guide	1	1	1
27	201S11016	螺钉	Screw	1	1	1
28	301S11009	压脚轧头螺钉	Screw	1	1	1
29	20713011	过线	Thread guide	1	1	1
30	207S11020	开槽圆柱头螺钉	Screw	1	1	1
31	20113037	下弯针过线	Upper looper thread guard	1	1	1

6

3/4 Series



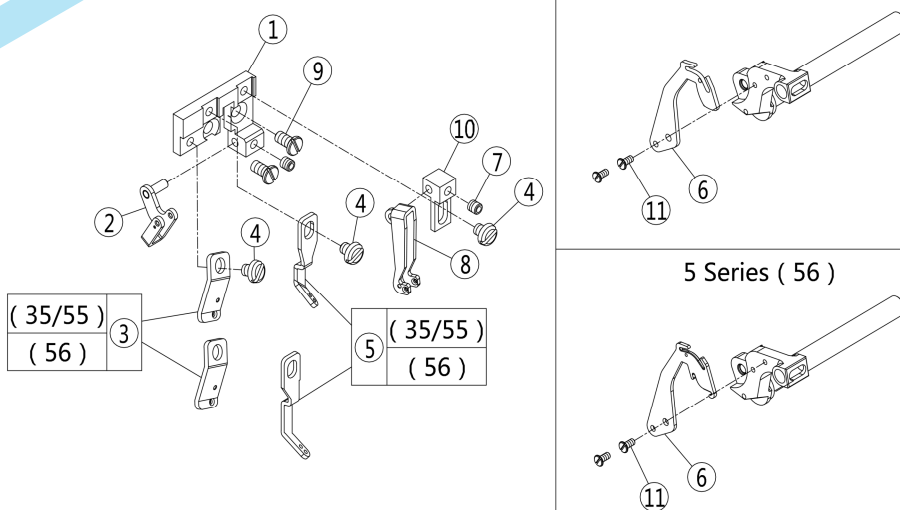
六、过线部件 (2) Thread Guide and Thread Takeup (2)

序号 NO.	公司件号 Part NO.	名称 PartName	零件描述 Description	数量 (Number)		
				三线	四线	五线
				three-thread	four-thread	five-thread
1	20113208	过线(三线)	Thread Guide	1	0	0
1	20113207	过线	Thread Guide	0	1	0
2	207S11019	螺钉M4×7.5	Screw	1	1	0
3	20701010	托架	Bracket	1	1	0
4	207S11019	螺钉M4×7.5	Screw	1	1	0
5	S10007	凹端紧定螺钉M4×4	Screw	1	1	0
6	20713002	过线	Thread Guide	1	0	0
6	20713003	过线	Thread Guide	0	1	0
7	207S20003	螺钉	Screw	1	1	1
8	20727002	压簧	Spring	1	1	1
9	20713007	压线板	Thread Retainer	1	1	1
10	20713006	托架	Bracket	1	1	1
11	201S11009	开槽圆柱头螺钉	Screw	2	2	0
12	20113204	挑线杆(三线)	Thread Takeup	1	0	0
12	20113203	挑线杆	Thread Takeup	0	1	0

7

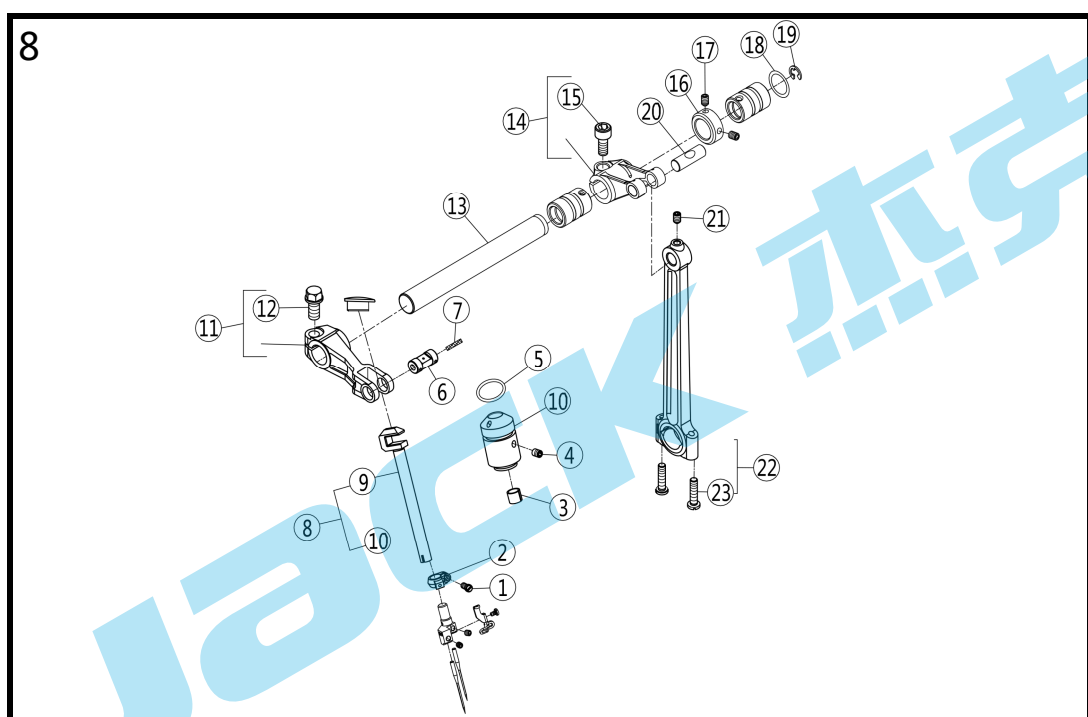
5 Series

5 Series (35/55)



七、过线部件 (3) Thread Guide and Thread Takeup (3)

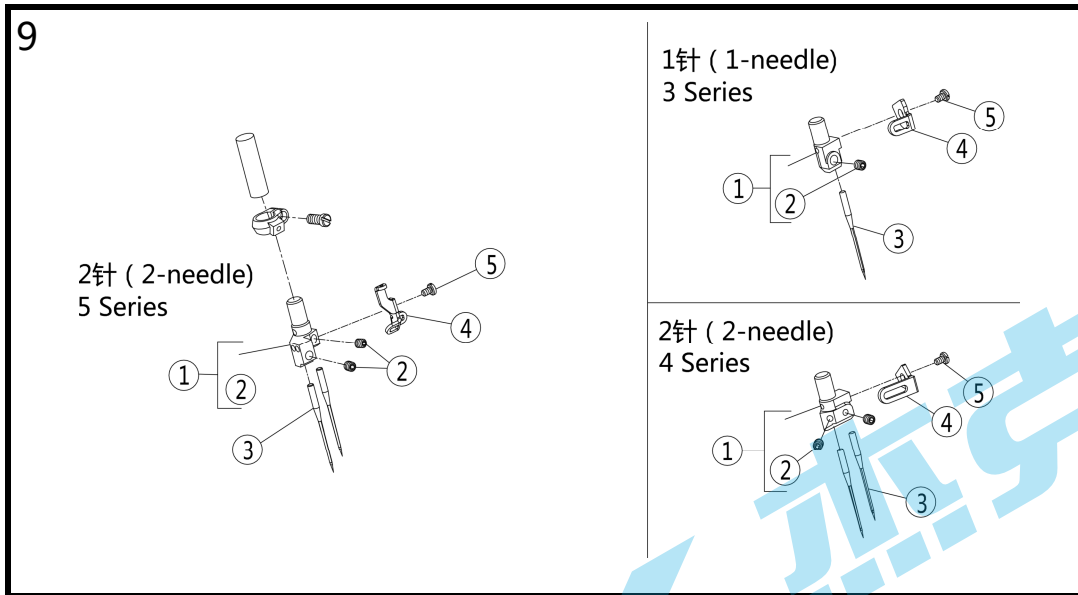
序号 NO.	公司件号 Part NO.	名称 PartName	零件描述 Description	数量 (Number)		
				三线	四线	五线
				three-thread	four-thread	five-thread
1	20701029	托架	Bracket	0	0	1
2	20713021	过线	Thread Guide	0	0	1
3	20713022	过线	Thread Guide	0	0	1
3	20713050	过线	Thread Guide	0	0	1
4	207S11011	开槽圆柱头螺钉	Screw	0	0	3
5	20713023	过线	Thread Guide	0	0	1
5	20713051	过线	Thread Guide	0	0	1
6	20113205	挑线杆(五线)	Thread Takeup	0	0	1
6	20113206	挑线杆(五线厚料)	Thread Takeup	0	0	1
7	S10007	凹端紧定螺钉M4×4	Screw	0	0	2
8	20713020	过线	Thread Guide	0	0	1
9	207S11019	螺钉M4×7.5	Screw	0	0	2
10	20701030	托架	Bracket	0	0	1
11	201S11009	开槽圆柱头螺钉	Screw	0	0	2



八、针杆部件 (1) Needle Drive Mechanism (1)

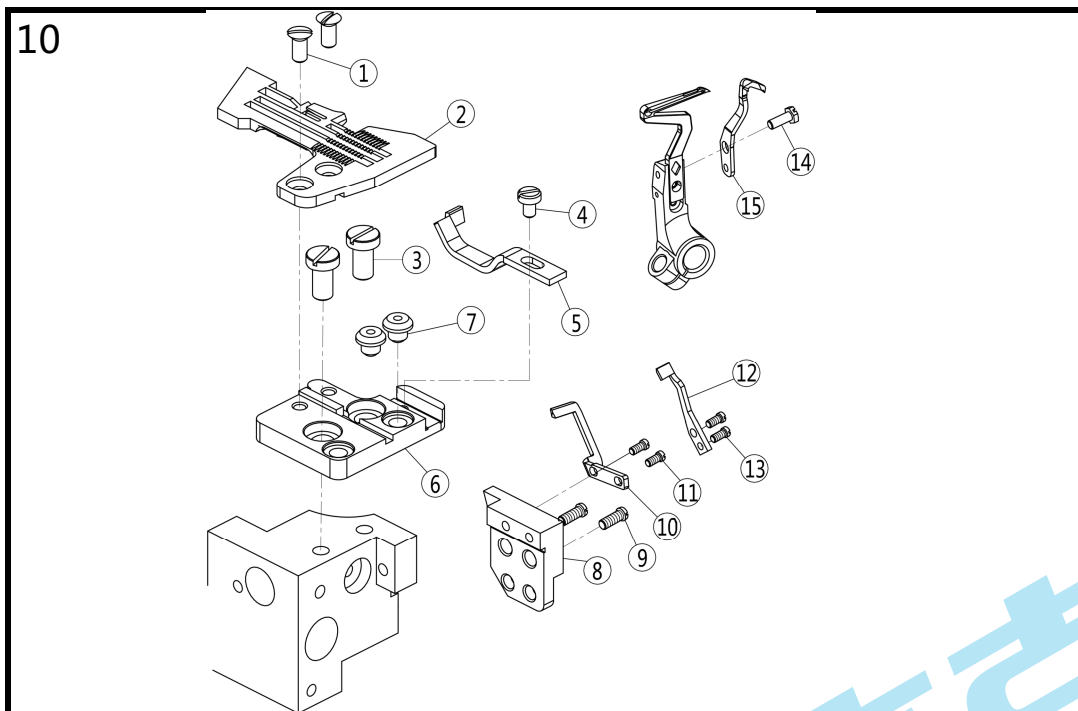
序号 NO.	公司件号 Part NO.	名称 PartName	零件描述 Description	数量 (Number)		
				三线	四线	五线
				three-thread	four-thread	five-thread
1	207S11023	螺钉M3×6	Screw	1	1	1
2	20708031	挡圈	Ring	1	1	1
3	20723003	毛毡	Oil Felt	1	1	1
4	207S14008	螺钉M4×5	Screw	1	1	1
5	O01026	O型圈φ11.5×1.5	O Ring	1	1	1
6	20126027	曲柄销	Pin	1	1	1
7	20523005	油线	Oil wick	0.033	0.033	0.033
8	2010220700	针杆组件	needle bar assembly	1	1	1
9	21202003	针杆	Needle Bar	1	1	1
10	21203001	针杆套	Bushing	1	1	1
11	20704002	针杆曲柄	Lever	1	1	1
12	207S12002	外六角螺钉M6×12	Screw	1	1	1
13	20702002	上轴	Shaft	1	1	1
14	20104201	上轴曲柄	Crank	1	1	1
14	20104204	上轴曲柄(厚料)	Crank	0	0	1
15	S05017	螺钉M6×0.75×13.5	Screw	1	1	1

16	20708004	上轴挡圈	Collar	1	1	1
17	S10007	凹端紧定螺钉M4×4	Screw	2	2	2
18	20628014	上刀架垫片	Washer	1	1	1
19	H05008	挡圈8	Ring	1	1	1
20	20126025	曲柄销(鱼眼)	Pin	1	1	1
21	S10008	凹端紧定螺钉M4×6	Screw	1	1	1
22	20105203	针杆连杆	Connection	1	1	1
23	S22007	铜连杆螺丝	Screw	2	2	2



九、针杆部件 (2) Needle Drive Mechanism (2)

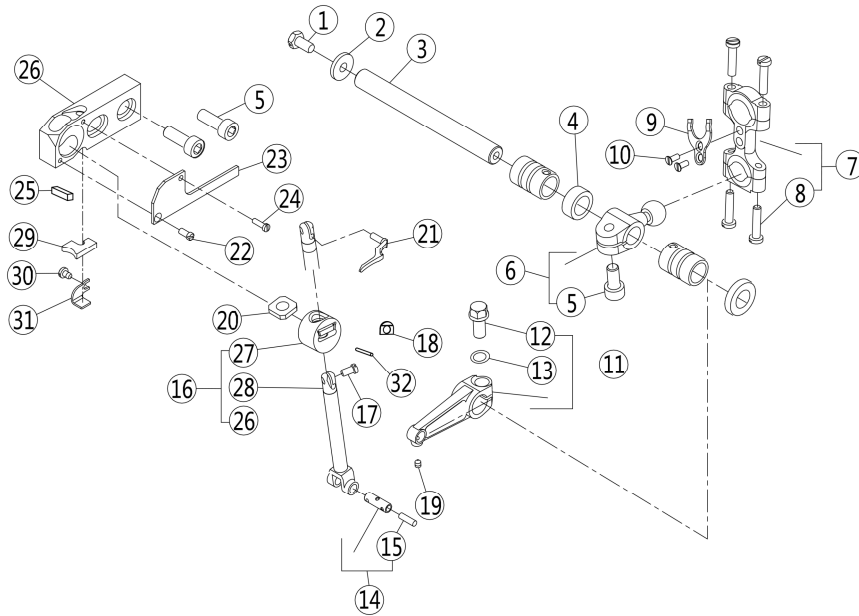
序号 NO.	公司件号 Part NO.	名称 PartName	零件描述 Description	数量 (Number)		
				三线	四线	五线
				three-thread	four-thread	five-thread
1	****	针夹头	Needle Holder Assembly	0	1	0
1	****	针夹头	Needle Holder Assembly	1	0	0
1	****	针夹头 (35)	Needle Holder Assembly	0	0	1
1	****	针夹头 (55)	Needle Holder Assembly	0	0	1
1	****	针夹头 (56)	Needle Holder Assembly	0	0	1
2	207S14014	内六角平端紧定螺钉(进口)	Screw	1	2	2
3	****	机针 (#11)	Needle	0	2	0
3	****	机针 (#9)	Needle	1	0	0
3	****	机针 (#14)	Needle	0	0	2
3	****	机针 (#19)	Needle	0	0	2
4	20713018	过线	Thread Guide	0	1	0
4	20713038	过线(三线)	Thread Guide	1	0	0
4	20713017	过线	Thread Guide	0	0	1
5	207S11024	开槽圆柱头螺钉	Screw	1	1	1



十、针杆部件 (3) Needle Drive Mechanism (3)

序号 NO.	公司件号 Part NO.	名称 PartName	零件描述 Description	数量 (Number)		
				三线 three-thread	四线 four-thread	五线 five-thread
1	201S17005	开槽半沉头螺钉	Throat screw	2	2	2
2	****	针板	Needle plate	1	0	0
2	****	针板 (16S)	Needle plate	1	0	0
2	****	针板	Needle plate	0	1	0
2	****	针板 (35)	Needle plate	0	0	1
2	****	针板 (55)	Needle plate	0	0	1
2	****	针板 (56)	Needle plate	0	0	1
3	201S11029	开槽圆柱头螺钉	Throat plate bracket screw	2	2	2
4	201S11009	开槽圆柱头螺钉	Front needle snap screw	1	1	1
5	****	前护针档	Front needle guard	1	1	0
5	****	前护针档	Front needle guard	0	0	1
6	12010100500	针板座组件	Throat plate bracket	1	1	1
7	20122011	胶套	Rubber bushing	2	2	2
8	20101017	护针档座	Needle guard bracket	1	1	0
8	20101018	护针档座	Needle guard bracket	0	0	1
9	201S11022	开槽圆柱头螺钉	screw	2	2	2
10	****	护针II	Needle guard II	0	0	1
11	211S11001	开槽盘头螺钉	screw	0	0	2
12	****	护针档I	Needle guard I	0	0	1
13	211S11001	开槽盘头螺钉	screw	0	0	2
14	201S12009	开槽外六角螺钉	screw	1	1	1
15	****	护针档	Teat needle guard	1	1	1

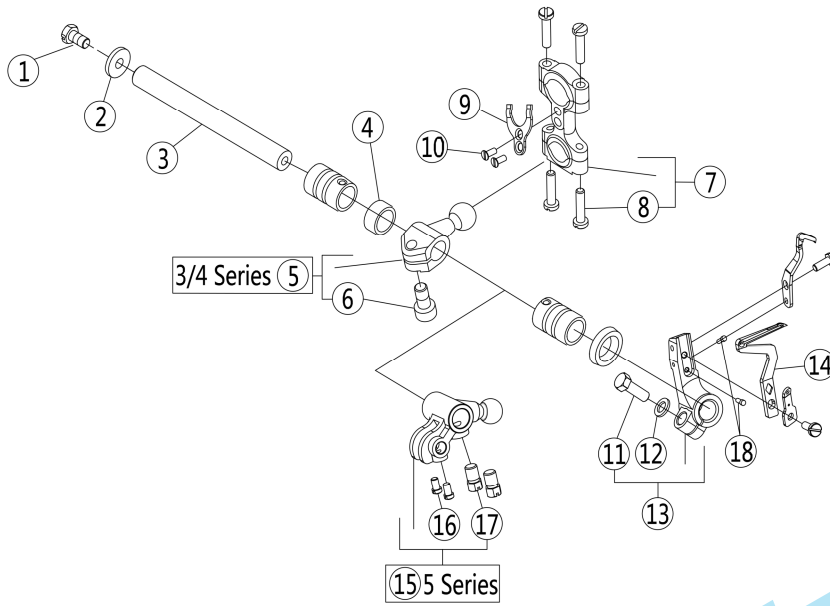
11



十一、上弯针部分 Upper Loper Assemblies

序号 NO.	公司件号 Part NO.	名称 PartName	零件描述 Description	数量 (Number)		
				三线	四线	五线
				three-thread	four-thread	five-thread
1	201S12005	开槽外六角螺钉	Upper looper shaft screw	1	1	1
2	20128007	大垫圈	Big washer	1	1	1
3	20102006	上弯针轴	Upper looper shaft	1	1	1
4	20128005	厚垫圈	Thickness washer	1	1	1
5	201S13003	内六角圆柱头螺钉	Screw	3	3	3
6	400337	上弯针摆动曲柄	Upper looper crank bearing	0	1	1
6	400457	上弯针摆动曲柄	Upper looper crank bearing	1	0	0
7	400017	弯针连杆	Looper link	1	1	1
8	S22007	铜连杆螺丝	Shaft screw	4	4	4
9	20712066	连杆垫片	Washer	1	1	1
10	S02007	开槽沉头螺钉M3×5.4	Screw	2	2	2
11	20104004	上弯针轴摆动曲柄	Upper looper shaft crank	1	1	1
12	201S12007	六角头特制螺钉	Screw	1	1	1
13	20128021	垫片	Washer	1	1	1
14	20126011	摇杆销	Connecting rod shaft pin	1	1	1
15	20123021	油线	Oil wick	0.1	0.1	0.1
16	2010121000	上弯针滑杆组件	Upper looper slide crank component	1	1	1
17	201S11007	螺钉	Screw	1	1	1
18	20112023	摇杆垫片	Washer	1	1	1
19	S10005	内六角凹端紧定螺钉M3×3	Link pin set screw	1	1	1
20	20123009	油毡	Oil felt	1	1	1
21	****	上弯针	Looper	1	1	1
21	****	上弯针	Looper	1	1	1
22	201S17006	开槽沉头螺钉	Screw	1	1	1
23	20112026	导架座挡板	Thread holder snap plate	1	1	1
24	201S11005	开槽圆柱头螺钉	Screw	1	1	1
25	20122026	油封	Oil wick	1	1	1
26	20101206	上弯针轴导架座	Upper looper shaft slide bar bracket	1	1	1
27	20109001	上弯针轴导块	Upper looper slide block	1	1	1
28	20104005	上弯针摇杆	Upper looper shaft bar	1	1	1
29	20723005	吸油棉	Felt	1	1	1
30	201S11005	开槽圆柱头螺钉	Screw	1	1	1
31	20712017	压板	Bracket	1	1	1
32	30123014	油线	Oil wick	0.06	0.06	0.06

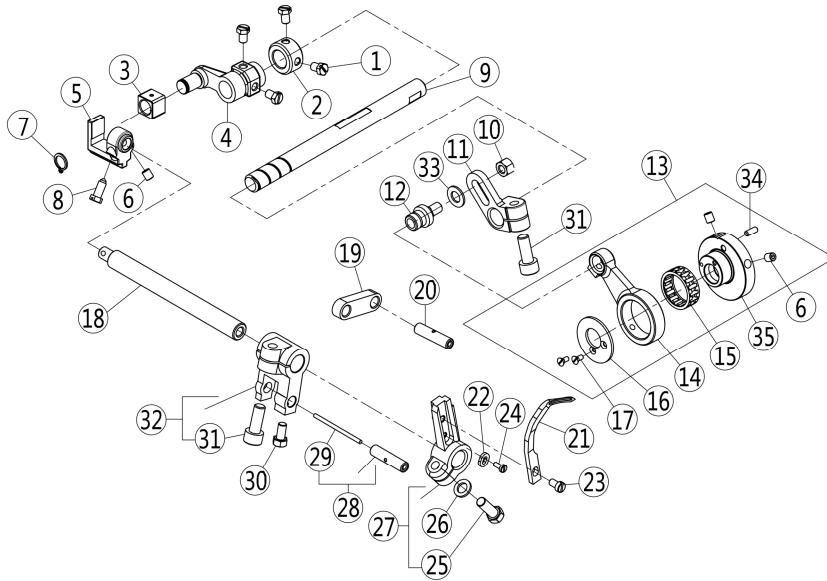
12



十二、下弯针部分 Lower Looper Assemblies

序号 NO.	公司件号 Part NO.	名称 PartName	零件描述 Description	数量 (Number)		
				三线	四线	五线
				three-thread	four-thread	five-thread
1	201S12005	开槽外六角螺钉	Low looper shaft screw	1	1	1
2	20628006	垫圈	Lower looper shaft washer	1	1	1
3	20102007	下弯针轴	Lower looper shaft	1	1	0
3	20102008	下弯针轴	Lower looper shaft	0	0	1
4	20128009	厚垫圈	Washer	1	1	0
5	400223	下弯针球曲柄	Lower looper crank	1	1	0
6	201S13003	内六角圆柱头螺钉	Screw	1	1	1
7	400017	弯针连杆	Looper link	1	1	1
8	S22007	铜连杆螺丝	Shaft screw	4	4	4
9	20712066	连杆垫片	Washer	1	1	1
10	S02007	开槽沉头螺钉M3×5.4	Screw	2	2	2
11	201S12007	六角头特制螺钉	Screw	1	1	1
12	20128021	垫片	Lower looper holder washer	2	2	2
13	20104008	下弯针架	Lower looper holder	1	1	1
14	****	下弯针	Lower looper	1	1	0
14	****	下弯针	Lower looper	0	0	1
15	20104010	下弯针摆动曲柄	Lower looper crank	0	0	1
16	201S11007	螺钉	Screw	0	0	2
17	301S20013	抬压曲柄固定螺钉	Screw	0	0	2
18	20126021	铆钉	Rivet	2	2	2

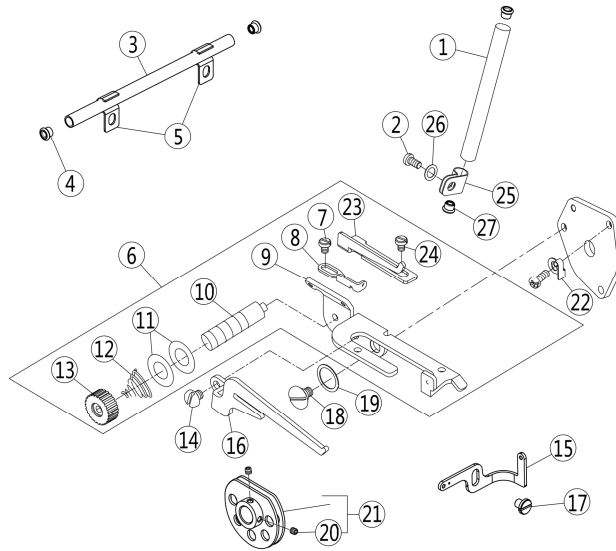
13



十三、前弯针部分 Front Looper Assemblies

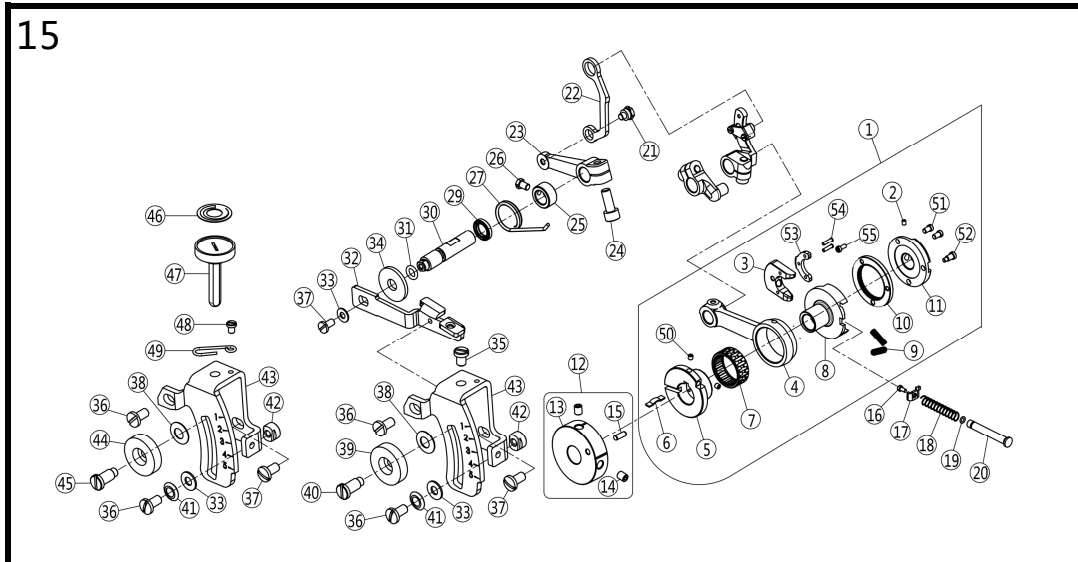
序号 NO.	公司件号 Part NO.	名称 PartName	零件描述 Description	数量 (Number)		
				三线	四线	五线
				three-thread	four-thread	five-thread
1	201S12002	外六角螺钉	Front looper crank screw	0	0	4
2	20108001	挡圈	Snap ring	0	0	1
3	20109002	前弯针滑块	Front looper slide block	0	0	1
4	20104013	驱动曲柄	Driving crank	0	0	1
5	20101021	驱动座	Driving lever	0	0	1
6	201S14002	内六角尖端固定螺钉	Driving lever set screw	0	0	3
7	20129003	卡簧	Snap ring	0	0	1
8	201S30009	螺钉	Driving lever set screw	0	0	1
9	20102010	横轴	Horizontal shaft	0	0	1
10	201S16002	六角螺母	Nut	0	0	1
11	20104014	横轴曲柄	Horizontal shaft crank	0	0	1
12	20126014	曲柄销	Pin	0	0	1
13	2010402300	曲柄连杆凸轮组件	Shaft link crank	0	0	1
14	20105003	横轴连杆	Horizontal shaft link	0	0	1
15	20104031	滚针轴承	Needle bearing	0	0	1
16	20104033	凸轮盖板	Snap ring	0	0	1
17	209S17003	挡油固定螺钉	Screw	0	0	2
18	20102009	前弯针轴	Front looper shaft	0	0	1
19	20609017	连板	Regulating plate	0	0	1
20	20126013	调节板销	Regulating plate pin	0	0	2
21	****	前弯针	Front looper	0	0	1
22	20128014	前弯针调节垫片	Washer	0	0	1
23	201S11008	开槽圆柱头螺钉	Screw	0	0	1
24	211S11001	开槽盘头螺钉	Screw	0	0	1
25	201S12007	六角头特制螺钉	Screw	0	0	1
26	20128021	垫片	Washer	0	0	1
27	20104011	前弯针架	Front looper shaft holder	0	0	1
28	20126022	前弯针曲柄销	Pin	0	0	1
29	20123021	油线	Oil felt	0	0	1
30	201S12005	开槽外六角螺钉	Screw	0	0	1
31	201S13003	内六角圆柱头螺钉	Screw	0	0	2
32	20104012	前弯针曲柄	Front looper crank	0	0	1
33	20128033	W06垫圈	Washer	0	0	1
34	P02007	圆柱销	Pin	0	0	1
35	20110005	曲柄连杆凸轮	crank link cam	0	0	1

14



十四、打线凸轮部分 Cam Assemblies

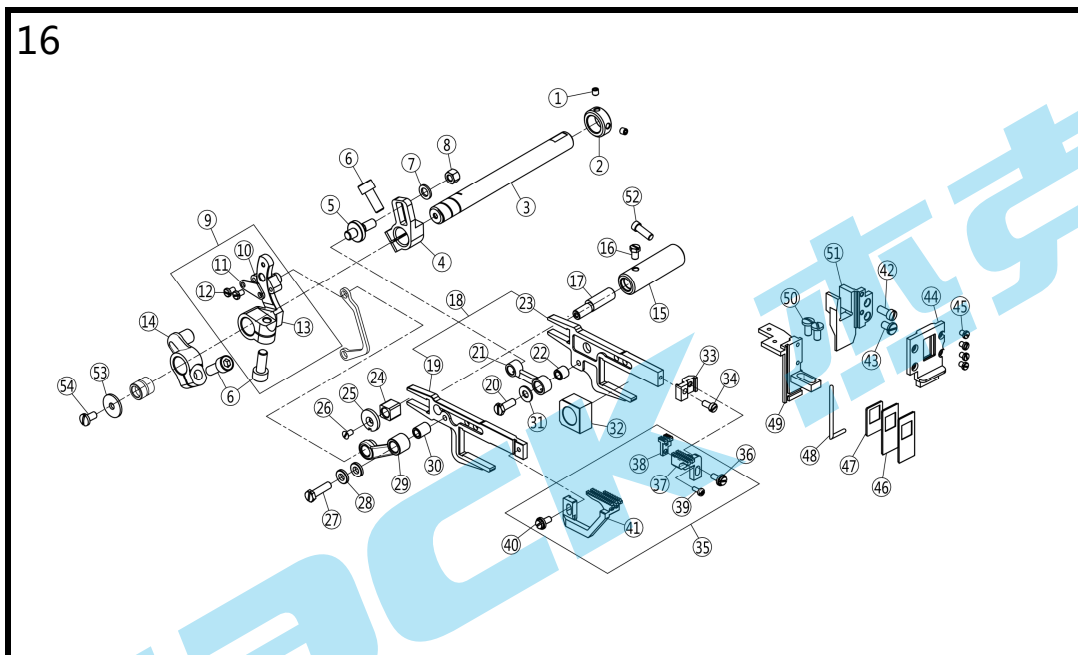
序号 NO.	公司件号 Part NO.	名称 PartName	零件描述 Description	数量 (Number)		
				三线	四线	五线
				three-thread	four-thread	five-thread
1	20613015	过线管	Thread guide pipe	0	0	1
2	113S11004	松线导管压板螺钉	Screw	0	0	1
3	20113026	过线管	Thread pipe	0	0	1
4	20113025	导线管套	Thread pipe cover	0	0	2
5	20112031	过线管压板	Bracket	0	0	2
6	2061205700	打线凸轮架组件	Bracket assemblies	0	0	1
7	207S11020	开槽圆柱头螺钉	Screw	0	0	1
8	20613017	凸轮架过线	Thread guide	0	0	1
9	20612057	打线凸轮架	Bracket	0	0	1
10	206S30015	螺丝M3	Screw	0	0	1
11	20612055	夹线片	Tension disc	0	0	2
12	30127016	夹线簧	Spring	0	0	1
13	206S16004	夹线螺母	Nut	0	0	1
14	207S11011	开槽圆柱头螺钉	Screw	0	0	1
15	20113023	二眼过线板	Thread guide	0	0	1
16	20612056	分线板	Thread guide	0	0	1
17	201S11014	螺钉	Screw	0	0	1
18	201S20016	螺钉M4×3	Screw	0	0	1
19	20128015	波形垫圈	Flat spring	0	0	1
20	S10026	螺钉M3×3(进口)	Cam set Screw	0	0	2
21	2011301800	打线凸轮组件	Looper thread take-up cam	0	0	1
22	20629005	卡簧	Flat spring	0	0	1
23	20629004	打线架卡簧	Thread guide	0	0	1
24	207S11020	开槽圆柱头螺钉	Screw	0	0	1
25	20629003	过线管夹	Bracket	0	0	1
26	20612062	油管螺钉垫圈	Washer	0	0	1
27	20611010	导线管套	Thread guide pipe bushing	0	0	2



十五、差动送布部件(1) Different Feed Assemblies (1)

序号 NO.	公司件号 Part NO.	名称 PartName	零件描述 Description	数量 (Number)		
				三线	四线	五线
				three-thread	four-thread	five-thread
1	2010500900	送布组件	Stitch length regulation cam asm	1	1	1
2	201S14002	内六角尖端紧定螺钉	Screw	2	2	2
3	20109004	针距调节滑块	Stitch length regulating block	1	1	1
4	20105004	送布连杆	Feed link	1	1	1
5	20110003	送布凸轮	Feed length cam	1	1	1
6	20112035	送布凸轮簧	Feed cam spring	1	1	1
7	B07007	轴承 K22X26X10	Feed rod rolling pin bearing	1	1	1
8	20110002	针距凸轮	Stitch length cam	1	1	1
9	20127009	针距调节滑块压簧	Stitch length regulating block spring	2	2	2
10	20125002	内齿圈	Annular gear coil	1	1	1
11	20101022	齿圆座	Annular gear coil chassis	1	1	1
12	400439	送布凸轮座组件	Feed barn pack	1	1	0
13	20110004	送布凸轮座	Feed barn	1	1	0
14	201S14002	内六角尖端紧定螺钉	Screw	2	2	0
15	P01004	送布凸轮座销	Feed cam pin	1	1	0
16	201S12005	开槽外六角螺钉	Screw	1	1	1
17	20112034	针距调节压板	Stitch length regulating plate	1	1	1
18	20127008	针距调节器簧	Spring	1	1	1
19	O01016	O型圈 6×1.8	O Ring	1	1	1
20	20102011	送布调节器杆	Stitch length regulating shaft	1	1	1
21	201S20008	螺钉	Screw	1	1	1
22	20105005	差动连杆	Differential link	1	1	1
23	20104016	差动曲柄	Differential crank	1	1	1
24	201S13003	内六角圆柱头螺钉	Screw	1	1	1
25	20108005	挡圈	Snap ring	1	1	1
26	201S12002	外六角螺钉	Screw	1	1	1
27	20127010	弹簧	Spring	1	1	1
29	20122029	油封	Oil seal	1	1	1
30	20102012	差动轴	Differential shaft	1	1	1
31	20122038	差动轴密封圈	Seal ring	1	1	1
32	20112037	差动调节杆	Lever	1	1	1
33	W01006	平垫圈4	Washer	2	2	2
34	20128024	垫圈	Washer	1	1	1
35	201S11029	开槽圆柱头螺钉	Screw	0	0	1
36	201S11018	螺钉	Screw	1	1	1
37	201S11016	螺钉	Screw	2	2	2
38	20628009	碟簧	Washer	1	1	1
39	206S16001	差动扳手螺母	Knob	0	0	1
40	206S30010	螺钉SM11/64X40X3	Screw	0	0	1

41	20128034	调节架垫圈	Washer	1	1	1
42	20109005	调节滑块	Block	1	1	1
43	20112036	差动调节架	Regulator Plate	1	1	0
44	201S16008	调节螺母	Knob	1	1	0
45	201S30005	螺钉	Screw	1	1	0
46	20137004	旋向标牌	Seal	1	1	0
47	201S30013	调节螺钉	Screw	1	1	0
48	201S11005	开槽圆柱头螺钉	Screw	1	1	0
49	20127011	卡簧	Snap spring	1	1	0
50	201S14003	螺钉	Screw	1	1	1
51	201S11055	开槽圆柱头螺钉	Screw	2	2	2
52	201S11056	开槽圆柱头螺钉	Screw	1	1	1
53	20125003	针距调节器爪		1	1	1
54	M01001	铆钉	Rivet	2	2	2
55	201S11059	十字槽圆柱头螺钉	Screw	1	1	1

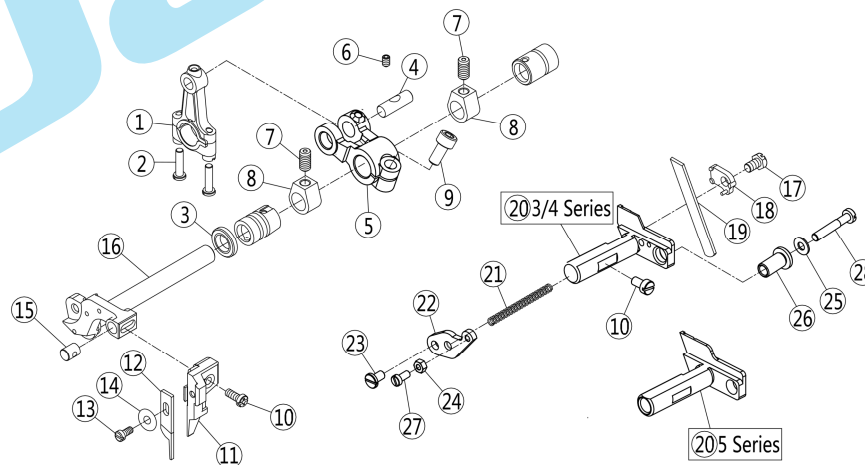


十六、差动送布部件(2) Different Feed Assemblies (2)

序号 NO.	公司件号 Part NO.	名称 PartName	零件描述 Description	数量 (Number)		
				三线	四线	五线
				three-thread	four-thread	five-thread
1	S10007	凹端紧定螺钉M4×4	Screw	2	2	2
2	20708004	上轴挡圈	Collar	1	1	1
3	20102014	送布轴	Feed shaft	1	1	1
4	20104017	送布调节曲柄	Feed regulating crank	1	1	1
5	20102015	送布牙连杆偏心轴	Feed dog link eccentric shaft	1	1	1
6	201S13003	内六角圆柱头螺钉	Screw	3	3	3
7	20128021	垫片	Washer	1	1	1
8	201S16002	六角螺母	Nut	1	1	1
9	2010402400	差动调节曲柄组件	Differential feed regulating crank	1	1	1
10	20112039	曲柄滑块盖板	Crank slide block cover	1	1	1
11	20109010	曲柄滑块	Crank slide block	1	1	1
12	207S11051	开槽圆柱头螺钉	Screw	2	2	2
13	20104018	差动牙调节曲柄	Crank slide	1	1	1
14	20104015	送布曲柄	Feed crank	1	1	1
15	20103018	滑块偏心轴套筒	Slid block eccentric shaft bushing	1	1	1
16	201S12002	外六角螺钉	Screw	1	1	1
17	20102013	滑块偏心轴	Slid block eccentric shaft	1	1	1
18	400019	牙架组件	Dog spur pack	1	1	1
19	20106002	差动牙架	Differential feed dog holder	1	1	1
20	201S12003	螺钉	Screw	1	1	1

21	20105006	送布牙架连杆	Feed dog holder link	1	1	1
22	20103021	送布牙架连杆套	Feed dog holder link bushing	1	1	1
23	20106001	送布牙架	Feed dog holder	1	1	1
24	20109013	差动送布滑块	Differential feed slide block	1	1	1
25	20628013	小偏心垫片	Washer	1	1	1
26	201S17003	螺钉	Screw	1	1	1
27	201S12004	螺钉	Screw	1	1	1
28	20128030	差动牙架连杆套垫圈	Washer	2	2	2
29	20105007	差动牙架连杆	Differential feed dog holder link	1	1	1
30	20103022	差动牙架连杆套	Differential feed dog holder link bushing	1	1	1
31	20128029	送布牙架连杆套垫圈	Washer	1	1	1
32	20109022	抬牙滑块	Feed dog lift slide block	1	1	1
33	20109006	牙连接板	Dog link plate	1	1	1
34	201S11012	螺钉	Screw	1	1	1
35	****	送料组件	Feed form	1	1	0
35	****	送料组件 (16S)	Feed form	1	0	0
35	****	送料组件 (35/55)	Feed form	0	0	1
35	****	送料组件 (56)	Feed form	0	0	1
36	201S11038	螺钉	Screw	1	1	1
37	****	主送布牙	Main feed dog	1	1	1
38	****	辅助送布牙	Main feed dog	1	1	1
39	201S11003	螺钉	Screw	1	1	1
40	201S11038	螺钉	Screw	1	1	1
41	****	差动送布牙	Differential feed dog	1	1	1
42	201S11023	螺钉	Screw	1	1	1
43	201S11018	螺钉	Screw	1	1	1
44	20109012	密封导架	Sealing connecting rod	1	1	1
45	201S11005	开槽圆柱头螺钉	Screw	4	4	4
46	20122031	活动油封	Adjustable oil seal	2	2	2
47	20122054	活动油封	Adjustable oil seal	1	1	1
48	20122030	密封圈	Sealing connecting ring	1	1	1
49	20101023	挡油板	Screw oil plate	1	1	1
50	201S11016	螺钉	Screw	2	2	2
51	400020	牙架导轨	Feed dog carrier connection rod	1	1	1
52	201S11021	螺钉	Screw	1	1	1
53	20128007	大垫圈	Washer	1	1	1
54	201S11016	螺钉	Screw	1	1	1

17

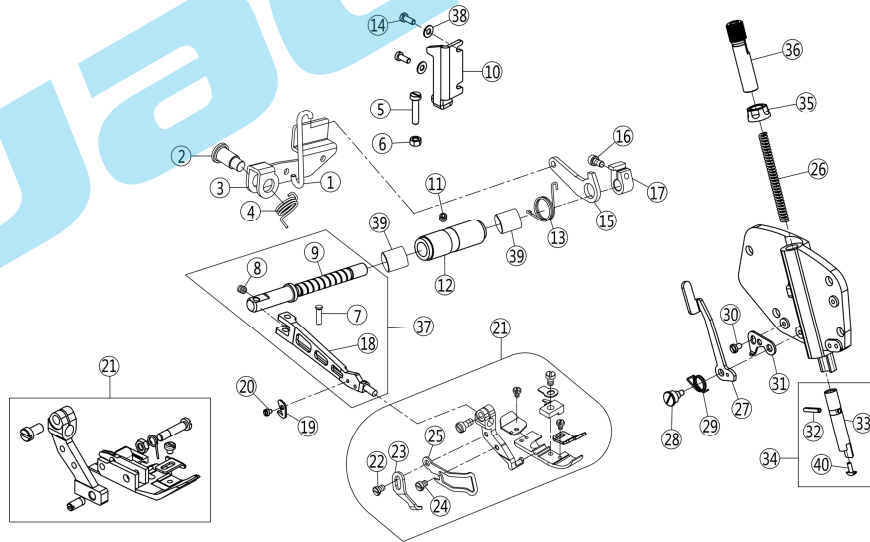


十七、剪切部件 Knife Drive Mechanism

序号 NO.	公司件号 Part NO.	名称 PartName	零件描述 Description	数量 (Number)		
				三线	四线	五线
				three-thread	four-thread	five-thread
1	20105202	上刀连杆	Connection	1	1	1

2	S22007	铜连杆螺丝	Screw	2	2	2
3	20122021	油封	Oil seal	1	1	1
4	20126015	曲柄销	Pin	1	1	1
5	20104202	上刀曲柄	Upper knife crank	1	1	0
5	20104203	上刀曲柄	Upper knife crank	0	0	1
6	201S12005	开槽外六角螺钉	Screw	1	1	1
7	S10003	螺钉M6×0.75×5	Screw	2	2	2
8	20108007	挡圈	Collar	2	2	2
9	S05017	螺钉M6×0.75×13.5	Screw	1	1	1
10	201S11022	开槽圆柱头螺钉	Screw	2	2	2
11	20101024	上刀座	Upper Knife Clamp	1	1	0
11	20101025	上刀座	Upper Knife Clamp	0	0	1
11	20101053	上刀座(厚料)	Upper Knife Clamp	0	0	1
12	****	上刀	Upper Knife	1	1	1
12	****	上刀(厚料)	Upper Knife	0	0	1
13	201S12001	螺钉	Screw	1	1	1
14	20128020	垫圈	Washer	1	1	1
15	20126016	上刀架轴销	Pin	1	1	1
16	20102017	上刀架轴	Upper knife feame rock shaft	1	1	1
17	201S12005	开槽外六角螺钉	Screw	1	1	1
18	20101026	下刀压板	Lower knife holder lock plate	0	0	1
19	****	下刀	Lower knife	1	1	1
19	****	下刀(厚料)	Lower knife	0	0	1
20	20102018	下刀架	Lower Knife Holder	1	1	1
20	20102019	下刀架	Lower Knife Holder	0	0	1
21	20127012	下刀架弹簧	Spring	1	1	1
22	20112040	下刀架挡板	Screw	1	1	1
23	201S11018	螺钉	Screw	1	1	1
24	201S16001	螺母	Nut	1	1	1
25	W01006	平垫圈4	Washer	1	1	1
26	20103025	下刀架套筒	Bushing	1	1	1
27	201S11012	螺钉	Screw	1	1	1
28	201S11015	螺钉	Screw	1	1	1

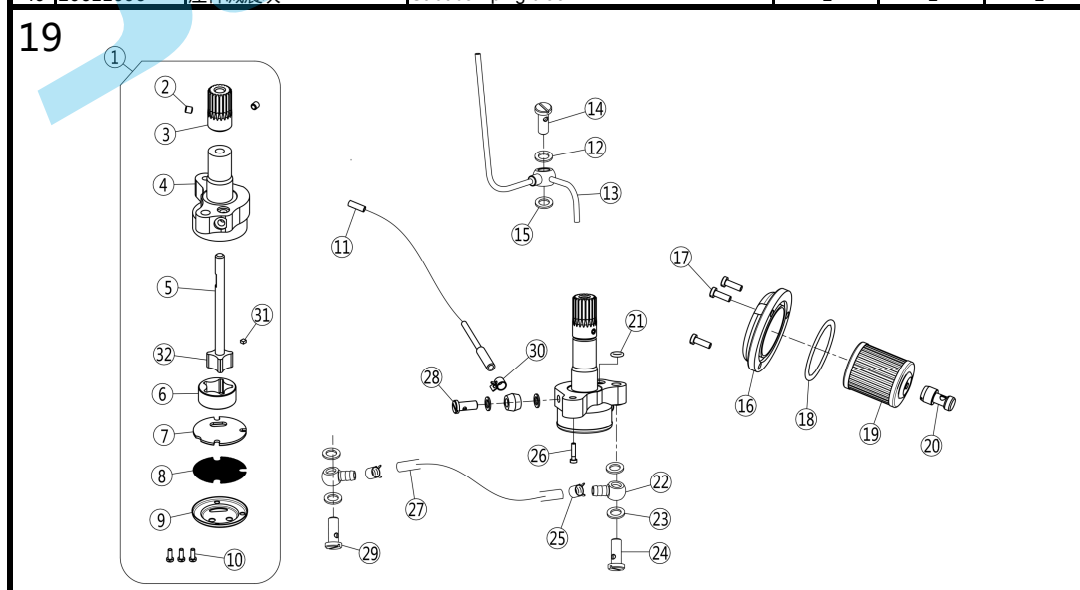
18



十八、抬压脚部件 Presser Foot Mechanism

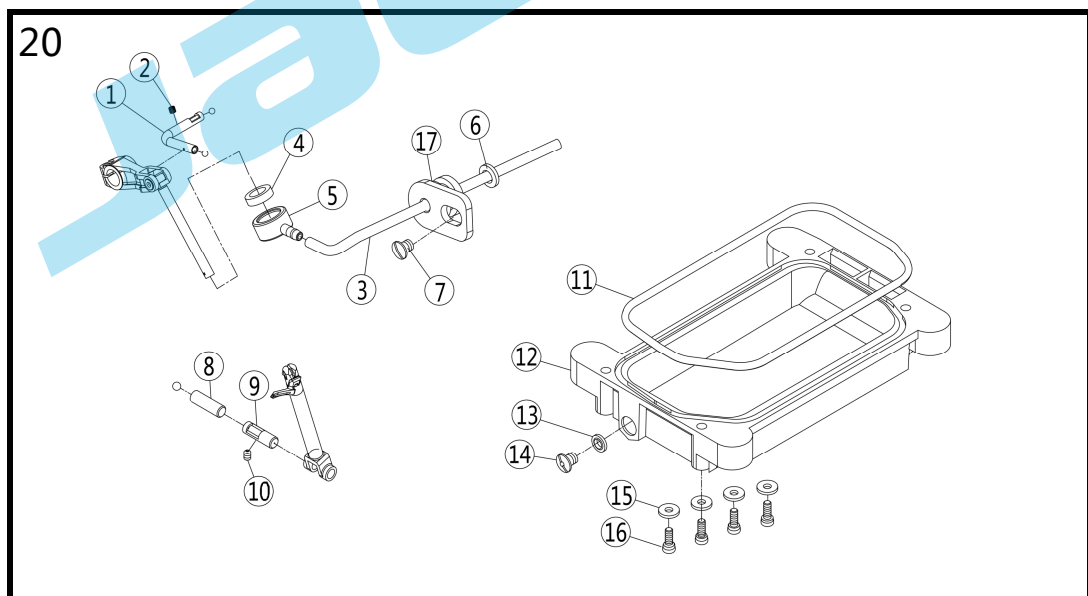
序号 NO.	公司件号 Part NO.	名称 PartName	零件描述 Description	数量 (Number)		
				三线	四线	五线
				three-thread	four-thread	five-thread
1	20126018	压脚柄勾	Link	1	1	1
2	207S20008	抬压脚螺钉M10	Screw	1	1	1
3	20712023	抬压脚杠杆	Lever	1	1	1
4	20727007	扭簧	Spring	1	1	1

5	207S11031	开槽圆柱头螺钉	Screw	1	1	1
6	N01004	六角螺母M5	Nut	1	1	1
7	20626016	压脚臂连杆销	Pin	1	1	1
8	S10011	紧定螺钉M4×0.5×4	Screw	1	1	1
9	20102035	压脚轴	Shaft	1	1	1
10	20712024	角板	Stopper	1	1	1
11	S10002	螺钉M5×5	Screw	1	1	1
12	120103001	压脚轴套筒	Bushing	1	1	1
13	21127009	抬压脚杠杆扭簧(上孔)	Spring	1	1	1
14	S04060	十字槽盘头螺钉M4×10	Screw	2	2	2
15	20712007	抬压脚小杠杆	Shaft	1	1	1
16	S05017	螺钉M6×0.75×13.5	Screw	1	1	1
17	21208004	抬压脚复位圈	Collar	1	1	1
18	20101202	压脚臂	Presser arm	1	1	1
19	20119003	割刀	Chain cutter	1	1	1
20	207S11020	开槽圆柱头螺钉	Screw	1	1	1
21	****	压脚组件	Presser foot assy	1	0	0
21	****	压脚组件	Presser foot assy	0	1	0
21	****	压脚组件(35)	Presser foot assy	0	0	1
21	****	压脚组件(55)	Presser foot assy	0	0	1
21	****	压脚组件(56)	Presser foot assy	0	0	1
21	****	压脚组件(16S)	Presser foot assy	1	0	0
22	207S11020	开槽圆柱头螺钉	Screw	1	0	1
23	20612083	压脚限位板	Stopper	1	1	1
24	207S11009	开槽圆柱头螺钉	Screw	1	1	1
25	20712026	压脚护手	Lever	1	1	1
26	20127042	压杆弹簧	Spring	1	1	1
27	20612034	压杆扳手	Lever	1	1	1
28	206S30017	螺钉M4×5.2	Screw	1	1	1
29	20627010	压杆扳手扭簧	Spring	1	1	1
30	S01002	开槽圆柱头螺钉M4×6.5	Screw	1	1	1
31	20612090	压脚扳手限位板	Stopper	1	1	1
32	P03006	销4.5×18	Screw	1	1	1
33	20102206	压杆	Lever	1	1	1
34	2010220600	压杆组件	Lever	1	1	1
35	207S16005	调压螺母	Nut	1	1	1
36	20702032	压杆螺柱	Screw	1	1	1
37	2010120200	压脚臂组件	Presser arm	1	1	1
38	W01006	平垫圈4	Washer	2	2	2
39	20703031	滑动轴承	Spacer	2	2	2
40	20611006	压杆减震块	Strut damping block	1	1	1



十九、供油部件 (1) Lubrication Assemblies (1)

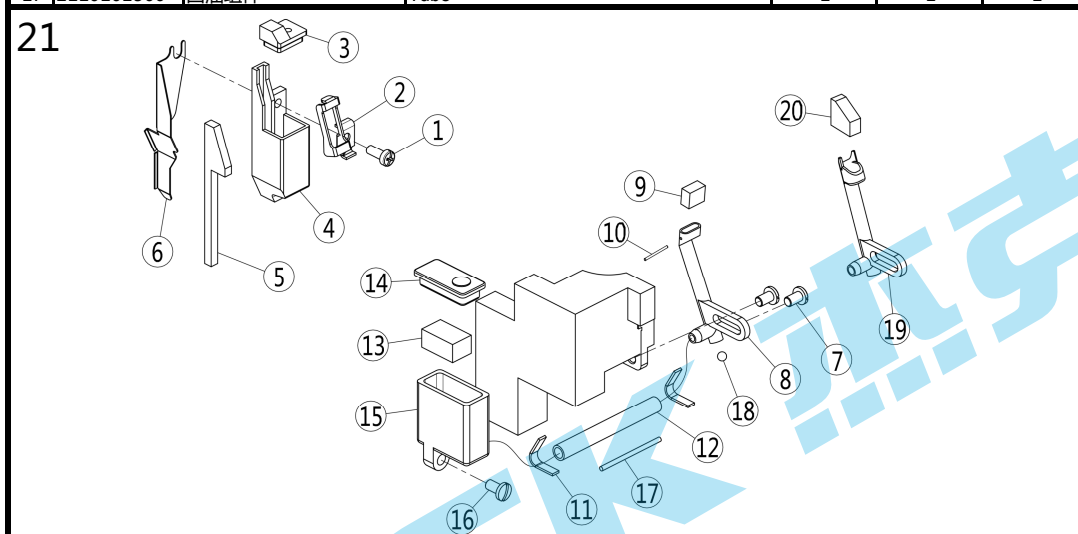
序号 NO.	公司件号 Part NO.	名称 PartName	零件描述 Description	数量 (Number)		
				三线	四线	五线
				three-thread	four-thread	five-thread
1	20320001	油泵	Oil pump	1	1	1
2	203520002	内六角凹端紧定螺钉	Screw SM3/16×32	2	2	2
3	20320011	油泵涡轮	Pump turbine	1	1	1
4	20320017	油泵体	Pump body	1	1	1
5	20320012	油泵主轴	Pump spindle	1	1	1
6	20320021	油泵叶轮套	Pump impeller sleeve	1	1	1
7	20320014	油泵垫板	Pump plate	1	1	1
8	20320018	滤油网	Oil strainer	1	1	1
9	20320016	油泵盖板	Oil pump cover	1	1	1
10	207511017	螺钉M3×8	Screw M3×8	3	3	3
11	20121001	针杆回油管	Needle bar return pipe	1	1	1
12	20122033	垫片(大)	Washer	1	1	1
13	20121005	上喷油管	Upper screem	1	1	1
14	206530009	过油螺钉	Screw SM11/64×40	1	1	1
15	20122033	垫片(大)	Washer	1	1	1
16	300140	滤油器盖	Oil screen cover	1	1	1
17	S04019	开槽圆柱头螺钉	Screw SM11/64×40	3	3	3
18	O01010	O型圈 38.7×3.55	Seal ring	1	1	1
19	20736004	滤油器	Oil clearer	1	1	1
20	201530030	滤油器接头	Oil cijerner joint	1	1	1
21	20122038	差动轴密封圈	O ring	1	1	1
22	20136007	油管接头	Oil tube joint	3	3	3
23	20122033	垫片(大)	Washer (red)	6	6	6
24	203530003	螺钉	Screw SM1/4×40	1	1	1
25	30129007	油管卡簧	Oil tube shape ring	2	2	2
26	201511025	螺钉	Screw SM11/64×40	1	1	1
27	12921005	油管(φ4×φ6)	Tubing	0.17	0.17	0.17
28	201530004	螺钉	Screw	1	1	1
29	301530013	过油螺钉	Screw SM1/4×40	1	1	1
30	20429001	油管卡簧	Oil tube shape ring	1	1	1
31	20320019	方销	Pin	1	1	1
32	20320020	油泵叶轮	Pump impeller	1	1	1



二十、供油部件 (2) Lubrication Assemblies (2)

序号 NO.	公司件号 Part NO.	名称 PartName	零件描述 Description	数量 (Number)		
				三线	四线	五线
				three-thread	four-thread	five-thread
1	20621010	过油管	Through tubing	1	1	1
2	S10007	凹端紧定螺钉M4×4	Screw M4×4	1	1	1

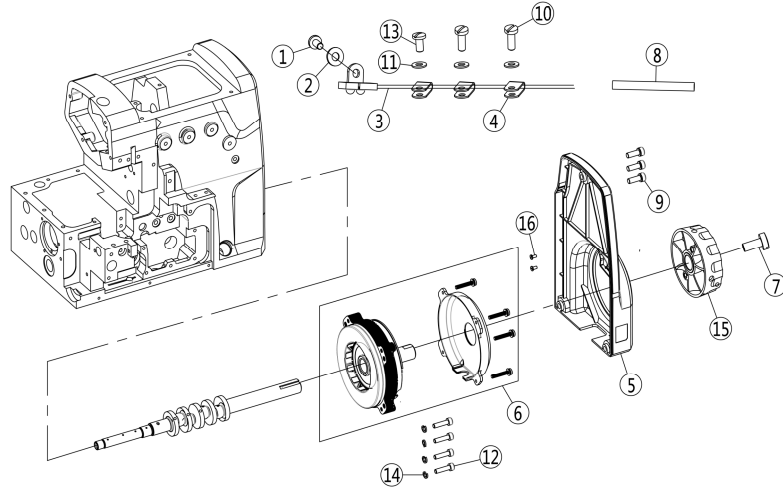
3	20721011	油管Φ 2×Φ 4	Tube	0.03	0.03	0.03
4	21123001	油棉	Oil Felt	1	1	1
5	21211001	吸油嘴	Joint	1	1	1
6	20622010	差动扳手轴O型圈	O ring	1	1	1
7	207511019	螺钉M4×7.5	Screw M4×5	1	1	1
8	20523005	油线	Oil wick	0.015	0.015	0.015
9	20626007	上弯针滑杆过油器	Pin	1	1	1
10	S10007	凹端紧定螺钉M4×4	Screw M4×4	1	1	1
11	20722008	油盘垫	Gasket	1	1	1
12	20701058	油盘	Oil Reservoir	1	1	1
13	20528014	油盘放油垫圈	Washer	1	1	1
14	207513002	开槽球面螺钉	Screw	1	1	1
15	20628018	垫片	Washer	4	4	4
16	207513009	内六角圆柱头螺钉	Bolt	4	4	4
17	2110101500	回油组件	Tube	1	1	1



二十一、HR部件 H. R. Assemblies

序号 NO.	公司件号 Part NO.	名称 PartName	零件描述 Description	数量 (Number)		
				三线	四线	五线
				three-thread	four-thread	five-thread
1	S04060	十字槽盘头螺钉M4×10	Screw M4×8	1	1	1
2	20712040	过线架	Thread guide	1	1	0
2	20713019	过线架	Thread guide	0	0	1
3	20711015	上硅油盒盖	Cover	1	1	1
4	20111205	硅油盒	Oil reservoir	1	1	1
5	20723008	油毡	Felt	1	1	0
5	20719051	毛毡	Felt	0	0	1
6	20112105	挡油板	Coner	1	1	1
7	201511018	螺钉	Screw SM11/64×40	2	2	2
8	20101037	机针冷却器	Needle cooler	1	1	0
9	20123014	油棉	Oil felt	1	1	0
10	####	别针	Pin	1	1	1
11	20129002	油管卡簧	Shape ring	2	2	2
12	30121021	油管φ5×φ7	Clamp	0.05	0.05	0.05
13	20123017	硅油棉块	Oil felt block	1	1	1
14	20111011	下硅油盒盖	Lower oil box cover	1	1	1
15	20111012	下硅油盒	Oil box	1	1	1
16	201511016	螺钉	Screw SM11/64×40	1	1	1
17	20123021	油线	Oil wick	0.12	0.12	0.12
18	20123012	油堵(滚珠)	Plug	1	1	1
19	20101038	机针冷却器	Needle cooler	0	0	1
20	20123015	油棉	Oil felt	0	0	1

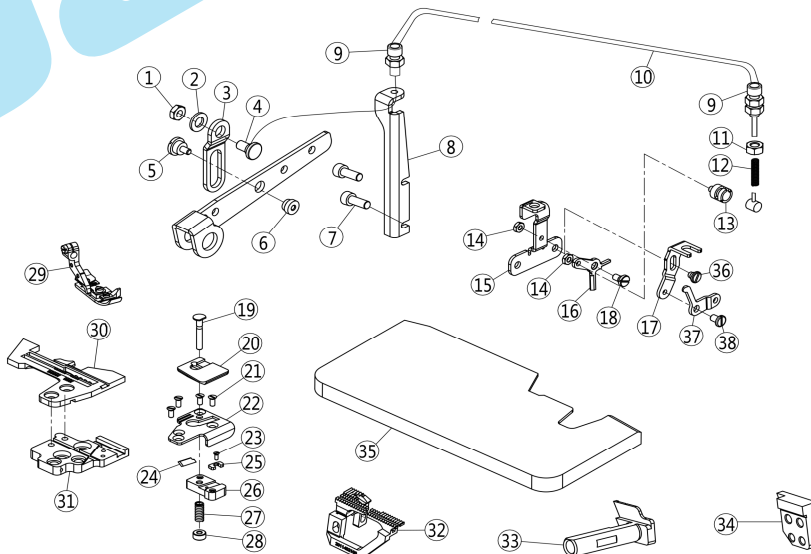
22



二十二、电机电控部件 Electrical control and control parts

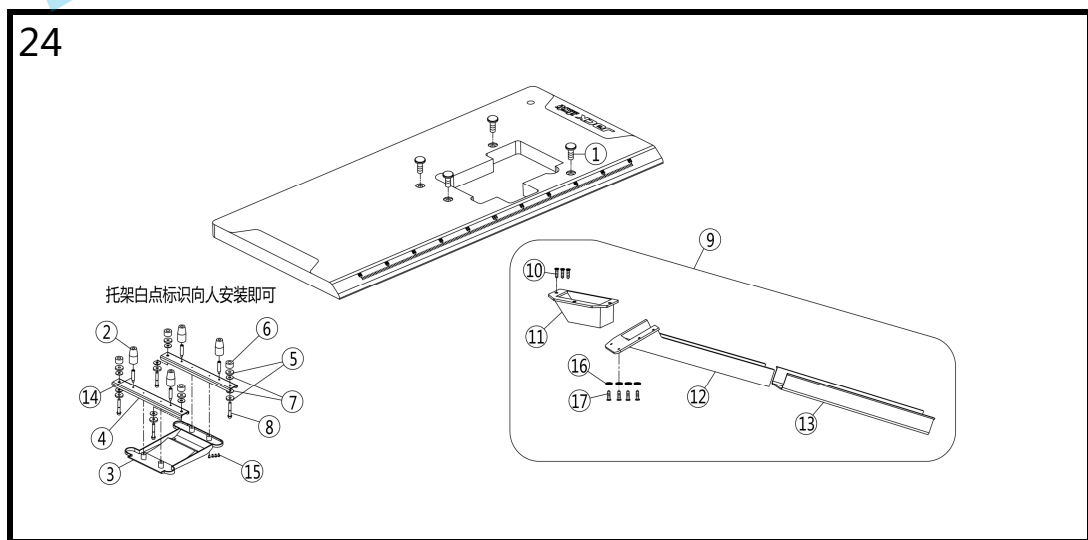
序号 NO.	公司件号 Part NO.	名称 PartName	零件描述 Description	数量 (Number)		
				三线	四线	五线
				three-thread	four-thread	five-thread
1	113S11004	松线导管压板螺钉	Screw M4×8	1	1	1
2	20628012	缝台夹线片	Washer	1	1	1
3	2013002100	包缝BP专用LED灯	LED lamp	1	1	1
4	20711210	R型线夹3.3	Clamp	3	3	3
5	20111302	电机罩壳	Cover	1	1	1
6	20133003	霍尔伺服电机	Direct drive moter	1	1	1
7	201S11034	螺钉	Screw SM15/64×28	1	1	1
8	20711227	Φ12绕管	Tie	0.8	0.8	0.8
9	207S11026	螺钉M6	Screw	3	3	3
10	301S11009	压脚轧头螺钉	Screw	2	2	2
11	20612062	油管螺钉垫圈	Washer	3	3	3
12	114S13001	直驱电机螺钉M5×20	Screw	4	4	4
13	201S11016	螺钉	Screw	1	1	1
14	W03002	M5波形垫片	Washer	4	4	4
15	303539	手轮	Hand Wheel	1	1	1
16	207S11015	开槽圆柱头螺钉M3×6	Screw	2	2	2

23



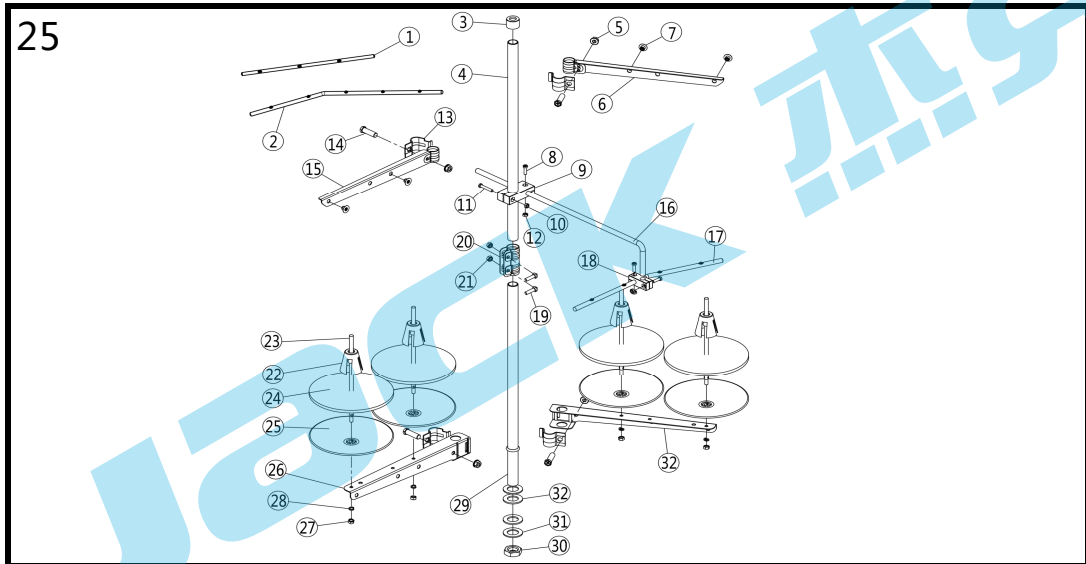
二十三、倒回缝部件 Back Latch Components

序号 NO.	公司件号 Part NO.	名称 PartName	零件描述 Description	数量 (Number)		
				三线	四线	五线
				three-thread	four-thread	five-thread
1	205S16002	螺母	Nut	1	1	0
2	20528008	夹线器垫片	Washer	1	1	0
3	20512008	吊板	Connecting plate	1	1	0
4	205S30011	带孔螺钉	Screw	1	1	0
5	205S30012	吊板螺钉	Screw	1	1	0
6	205S16003	螺母	Nut	1	1	0
7	S04019	十字槽盘头螺钉M4×12	Screw	2	2	0
8	20713044	托架	Bracket	1	1	0
9	205S30013	支座接头螺钉	Screw	2	2	0
10	2051200900	松线组件	Thread tension releasi	1	1	0
11	205S16005	螺母	Nut	4	4	0
12	21227006	弹簧(倒回缝)	Spring	1	1	0
13	205S30009	螺钉	Screw	1	1	0
14	205S16004	螺母	Nut	2	2	0
15	21212028	松线下板	Thread tension plate	0	1	0
16	21212027	松线上板	Thread tension plate	0	1	0
17	20512005	支座接头定位板	Support joint locating plate	1	1	0
18	212S20004	松线轴位螺钉	Screw	0	1	0
19	205S30007	压线板螺钉	Pressure line plate screw	1	1	0
20	20113209	压线板	Pressure line plate	1	1	0
21	S02007	开槽沉头螺钉M3×5.4	Screw	4	4	0
22	20112210	刀片定位板	Cutter location positioning plate	1	1	0
23	205S30008	压力板螺钉	Pressure plate screw	1	1	0
24	20519002	刀子	Knife	1	1	0
25	20512003	压刀板	Pressure plate	1	1	0
26	20519001	小刀架	Knife rack	1	1	0
27	20527003	弹簧	Spring	1	1	0
28	301S16007	夹线螺母	Clamp nut	1	1	0
29	12121600700	(三线倒回缝)压脚组件	Presser foot form	1	0	0
29	12121600800	(四线倒回缝)压脚组件	Presser foot form	0	1	0
30	****	针板	Needle plate	1	0	0
30	****	针板	Needle plate	0	1	0
31	12010100600	针板座组件(倒回缝)	Bracket	1	1	0
32	****	牙齿	Feed form	1	1	0
33	20102040	下刀架	Lower knife holder	1	1	0
34	20101017	护针挡座	Needle guard bracket	1	1	0
35	2011209000	缝台盖组件	Cloth plate	1	1	0
36	206S11005	螺钉SM11/64X40X7.3	Screw	1	0	0
37	20512006	松线板	Thread tension plate	1	0	0
38	205S30014	螺钉	Screw	1	0	0



二十四、托盘、排料部件 Plate Row Material Assemblies

序号 NO.	公司件号 Part NO.	名称 PartName	零件描述 Description	数量 (Number)		
				三线	四线	五线
				three-thread	four-thread	five-thread
1	20131028	托盘螺钉固定头	Nut	4	4	4
2	20722018	托盘防震连接垫	Cushion Rubber	4	4	4
3	20711058	托盘	oil pan	1	1	1
4	20712064	托架	Rest Board	2	2	2
5	30122031	减震垫圈	Spring Washer	8	8	8
6	20131030	防震套	Washer	4	4	4
7	20131029	大垫圈	Spacer	8	8	8
8	20131027	托盘螺钉	Screw	4	4	4
9	2123100400	落料斗组件	Waste Chute Assy.	1	1	1
10	20131034	自攻螺钉ST3.5x1.6	Screw	3	3	3
11	21231005	排料槽座	Screw	1	1	1
12	20131032	排料槽 I	Waste Chute	1	1	1
13	21231007	排料槽 II	Waste Chute	1	1	1
14	207511046	托架支柱	Screw	4	4	4
15	207513006	内六角圆柱头螺钉	Screw	4	4	4
16	20728006	平垫圈(镀锌)	Washer	4	4	4
17	421S30004	十字盘头自攻螺钉	Screw	4	4	4

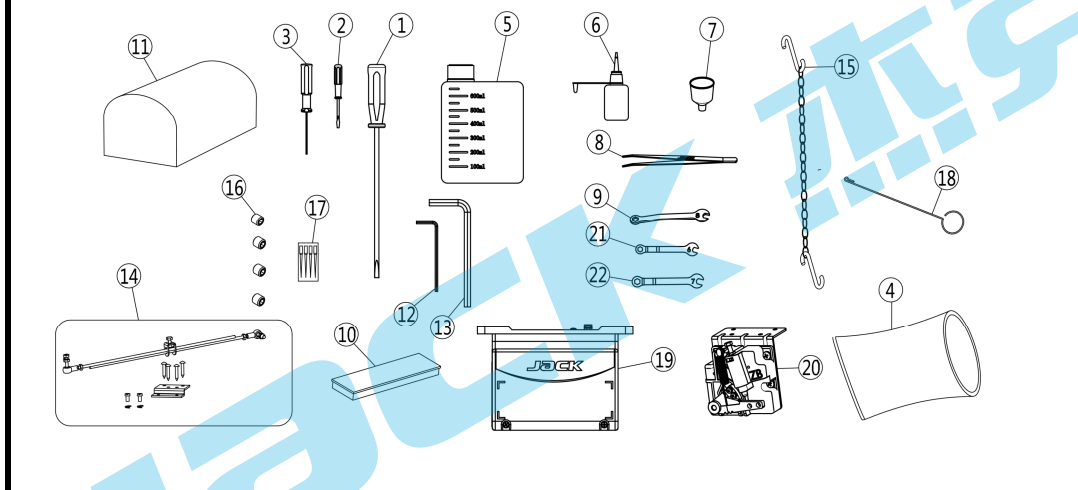


二十五、线架部件 Thread Spool Assemblies

序号 NO.	公司件号 Part NO.	名称 PartName	零件描述 Description	数量 (Number)		
				三线	四线	五线
				three-thread	four-thread	five-thread
1	20131014	过线棒	Thread guide	1	0	0
2	30113019	过线棒	Thread guide	0	0	1
3	20131019	棒帽	Rod Cap	1	1	1
4	121131009	上管	Upper thread column	1	1	1
5	201S16006	导线环螺母	Thread guide hook nut	4	4	4
6	121131007	导线架	Thread spool tray bracket	1	1	1
7	20131018	过线环	Thread guide hook	3	4	5
8	20131021	棒架螺钉	Screw	2	2	2
9	21131010	棒架	Clamp plate	1	1	1
10	201S16004	螺母	Nut	4	4	4
11	20131022	棒架螺钉	Screw	2	2	2
12	201S16004	螺母	Nut	4	4	4
13	21131011	导线环	Thread guide hook	4	4	4
14	20131020	导线环螺钉	Screw	4	4	4
15	121113009	导线架	Thread spool tray bracket	1	1	1
16	21131007	导线棒	Thread guide bar	1	1	1

17	20131014	过线棒	Thread guide	0	1	0
18	21131013	固定器	Thread guide joint	1	1	1
19	S04050	螺钉M5×15	Screw	2	2	2
20	21131014	套	Bushing	1	1	1
21	N01030	套螺母	Nut	2	2	2
22	21131015	线圈定位套	Spool Cushion	3	4	5
23	20131006	线托棒	Spool pin	3	4	5
24	20131010	线盘垫	Spool tray cushioning	3	4	5
25	21131016	线盘	Spool tray	3	4	5
26	21131012	导线架(长)	Thread spool tray bracket	1	1	1
27	N01114	螺母	Nut	3	4	5
28	20128018	垫圈	Washer	3	4	5
29	21131018	下管	Lower thread cloumn	1	1	1
30	201516005	螺母	Nut	1	1	1
31	121128003	下管垫圈	Lower washer	2	2	2
32	21131009	托线架	Thread spool tray bracket	1	1	1
33	20122049	防震垫	Plate dog link washer	2	2	2
34	2113101700	线架组件	Thread stand component	1	0	0
34	2113101800	线架组件	Thread stand component	0	1	0
34	2113101900	线架组件	Thread stand component	0	0	1

26



二十六、随机附件 Accessories Assemblies

序号 NO.	公司件号 Part NO.	名称 PartName	零件描述 Description	数量 (Number)		
				三线	四线	五线
				three-thread	four-thread	five-thread
1	20731047	螺丝刀(大)	screw driver (L)	1	1	1
2	10131004	螺丝刀(小)	Screwdriver (S)	1	1	1
3	20131044	直柄内六角扳手1.5	Hexagonal wrench/1.5mm	1	1	1
4	20131062	机头塑料袋	Plastic machine head bag	1	1	1
5	20131037	油壶	Oil container	1	1	1
6	20131048	小油壶	Oil container	1	1	1
7	20131039	漏斗	Tundish	1	1	1
8	20131051	镊子	Tweezers	1	1	1
9	20131043	扳手(8mm)	Wrench/8mm	1	1	1
10	20131055	附件箱	Attachment box	1	1	1
11	121131002	机头罩	Machine head cover	1	1	1
12	20131046	内六角扳手2mm	Hexagonal wrench/2mm	1	1	1
13	20131056	内六角扳手5mm	Hexagonal wrench/6mm	1	1	1
14	20730335	拉杆	Draw bar	1	1	1
15	20131054	脚踏板链	Chain	1	1	1
16	S10005	内六角凹端紧定螺钉M3×3	Screw	4	4	1
17	****	机针	Needle	10	10	10
18	20131052	线勾	Needle threader	0	0	1
19	20130014	包缝控制器(T19)	Electric cabinet	1	1	1

20	20130089	塑壳调速器	Governor	1	1	1
21	20131041	扳手 (6mm)	Wrench/6mm	1	1	1
22	20131042	扳手 (7mm)	Wrench/7mm	1	1	1

E3系列标准零件度量表			E3 SERIES GAUGE PARTS LIST					
型号	间距		针板	牙齿组件	压脚组件	上弯针	下弯针	链线弯针
	NG	SW						
MACHINE TYPE /SPEC	GAUGE		NEEDLE PLATE	MAIN FEED DOG ASS	PRESSER FOOT ASS	UPPER LOOPER	LOWER LOOPER	CHAINSTITCH LOOPER
E3-3-M1-15	0	1.5	20115006	2011401800	2071601000	20117025	20117008	—
E3-3-M2-04	0	4	20115001	2011401700	12121600500	20117025	20117008	—
E3-3-M5-04/BK	0	4	20115004	2011402100	12121600700	20117025	20117008	—
E3-4-M5-23/BK	2	3	20115005	2011402100	12121600800	20117007	20117008	—
E3-4-M2-24	2	4	20115002	2011401700	12011600300	20117007	20117008	—
E3-5-M2-35	3	5	20115003	2011401900	12121600900	20117025	20117009	20117010
E3-5-M2-55	5	5	20115008	2011401900	2071601500	20117025	20117009	20117010
E3-5×2-56	5	6	20115007	2011402000	12121611900	20117025	20117009	20117010

型号	上刀	下刀	弯针护针		机针护针		针夹	机针
			前	后	前	后		
			OVERLOCK NEEDLE GUARO	CHAINSTITCH NEEDLE	NEEDLE HOLDER	NEEDLE		
MACHINE TYPE /SPEC	UPPER KINIFE	LOWER KINIFE	FRONT	REAR	FRONT	REAR	NEEDLE HOLDER	NEEDLE
E3-3-M1-15	20119001	21317002	—	20117002	20117003	—	20734001	DC×27#9
E3-3-M2-04	20119001	21317002	—	20117002	20117003	—	20734001	DC×27#11
E3-3-M5-04/BK	20119001	21317002	—	20117002	20117003	—	20734001	DC×27#11
E3-4-M5-23/BK	20119001	21317002	—	20117002	20117003	—	20734002	DC×27#11
E3-4-M2-24	20119001	21317002	—	20117002	20117003	—	20734002	DC×27#11
E3-5-M2-35	20119001	21317002	20117005	20117002	20117004	20117006	20734003	DC×27#14
E3-5-M2-55	20119001	21317002	20117005	20117002	20117004	20117006	20734004	DC×27#14
E3-5×2-56	20119005	20119006	20117005	20117002	20117004	20117006	20719056	DC×27#19

杰克缝纫机股份有限公司
JACK SEWING MACHINE CO.,LTD.

杰克缝纫机

全球销量遥遥领先

公司地址 (Address of Company) :
中国浙江省台州市椒江区三甲东海大道东段1008号
NO.1008,DONGHAI AVENUE EAST,JIAOJIANG DISTRICT,TAIZHOU CITY , ZHEJIANG
邮编(Zip Code) : 318000
国内销售部(Domestic Trade Department) :
电话(TEL) : 0086-0576-88177788 88177789
传真(FAX) : 0086-0576-88177758
国贸部(International Trade Department) :
电话(TEL) : 0086-0576-88177782 88177774
传真(FAX) : 0086-0576-88177787
免费售后服务电话 : 400-8876858
<http://www.chinajack.com>



资料如有更改, 恕不另行通知, 请以实物为准。

You will be not informed if the file has been revised.Please set sample as standard.

2020年12月版