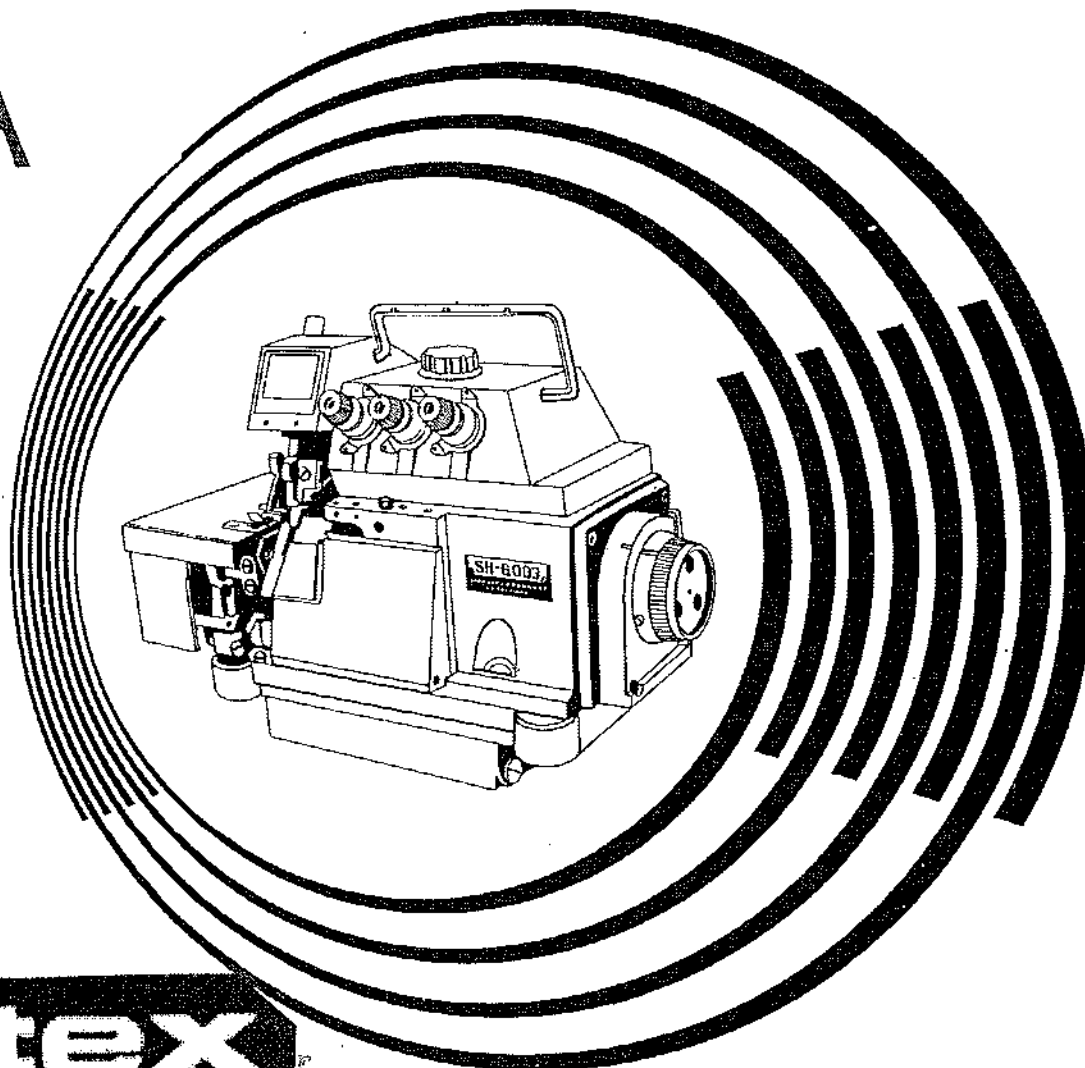


SUPER HIGH SPEED STRAIGHT NEEDLE OVERLOCK SEWING MACHINES PARTS LIST

SUNDIA

MITSUBISHI

MODEL EA900
SERIES



PFAFF

MAUSER
SPEZIAL

SH6003

SH6004

SH6005

SH6006

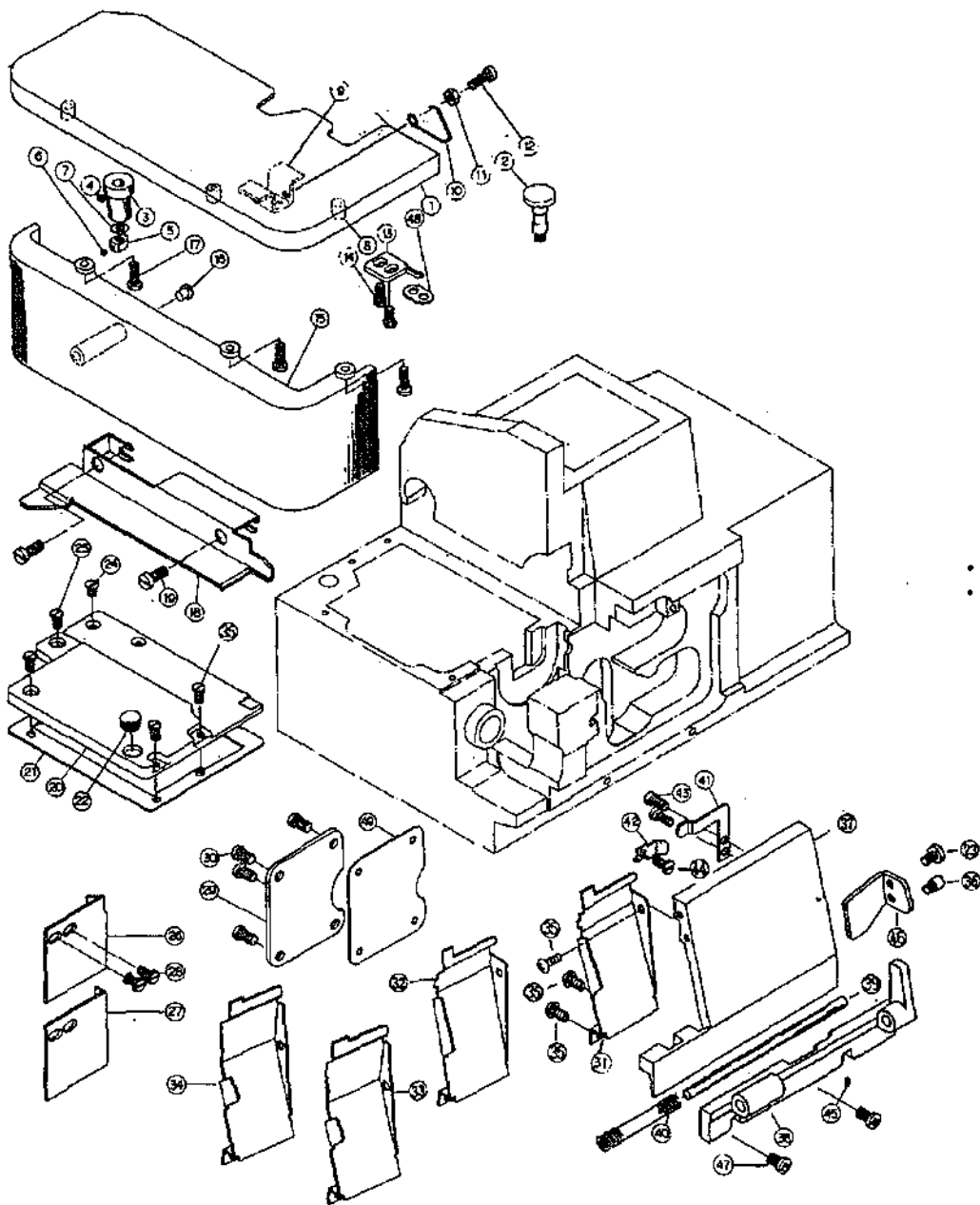
 Kingtex

CONTENTS

ITEM	PAGE
1 FRAME COMPONENTS (1).....	1
2 FRAME COMPONENTS (2).....	2
3 CRANK SHAFT COMPONENTS	3
4 NEEDLE DRIVING SHAFT COMPONENTS	4
5 FEED MECHANISM COMPONENTS (1).....	5
6 FEED MECHANISM COMPONENTS (2).....	6
7 UPPER AND LOWER LOOPER COMPONENTS	7
8 CHAIN LOOPER COMPONENTS(FOR SH6005)	8
9 PRESSER FOOT COMPONENTS (1).....	9
10 PRESSER FOOT COMPONENTS (2).....	10

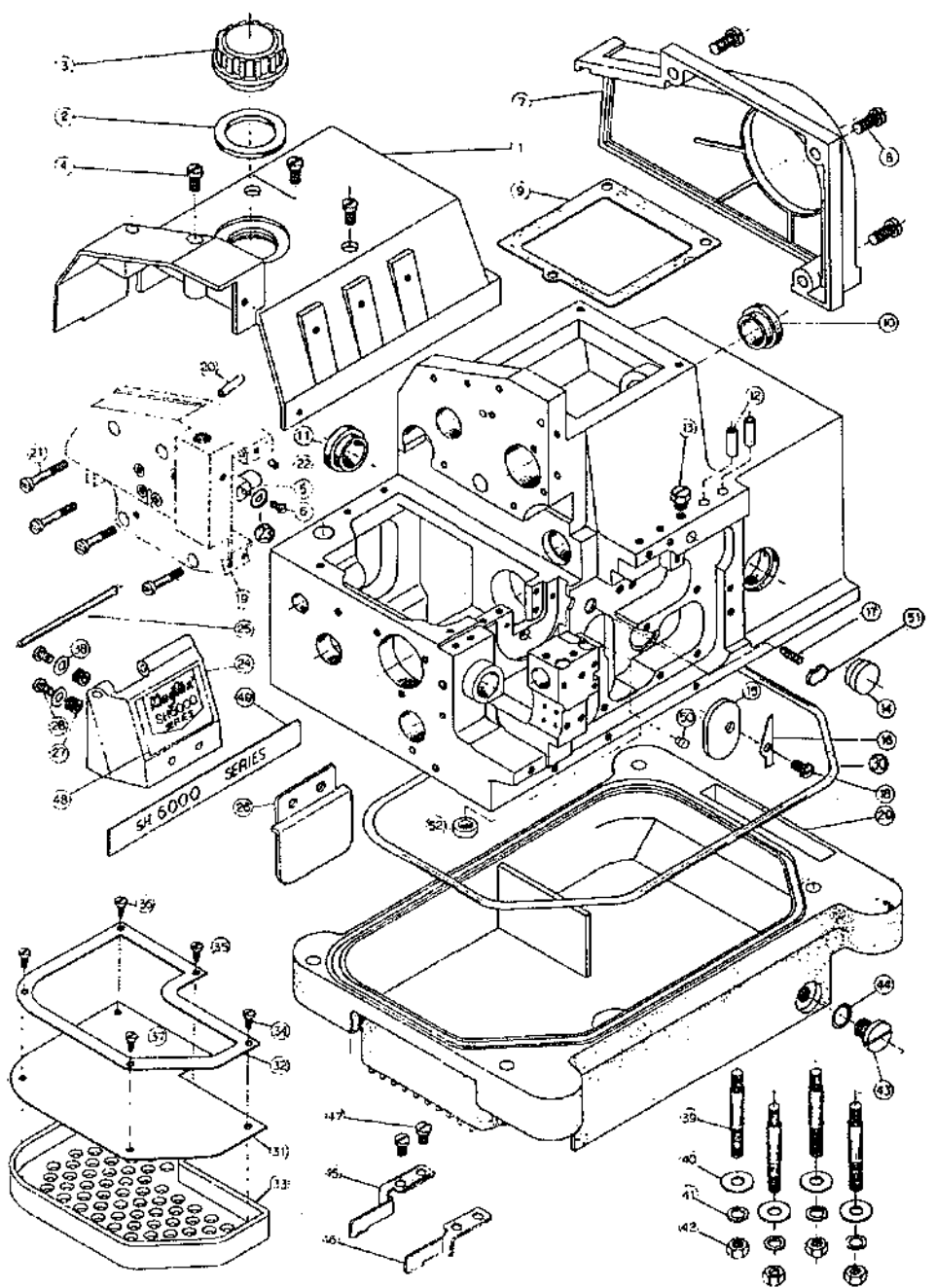
11	THREAD TENSION COMPONENTS	11
12	LOWER KNIFE COMPONENTS	12
13	UPPER KNIFE COMPONENTS	13
14	NEEDLE COOLING MECHANISM.....	14
15	LUBRICATION MECHANISM	15
16	THREAD STAND COMPONENTS	16
17	SEMI-SUNKEN TYPE TABLE COMPONENTS	17
18	ACCESSORIES	18
19	FOR SH6006	19
20	SHG6000 SPARE PARTS	20

(1) FRAME COMPONENTS



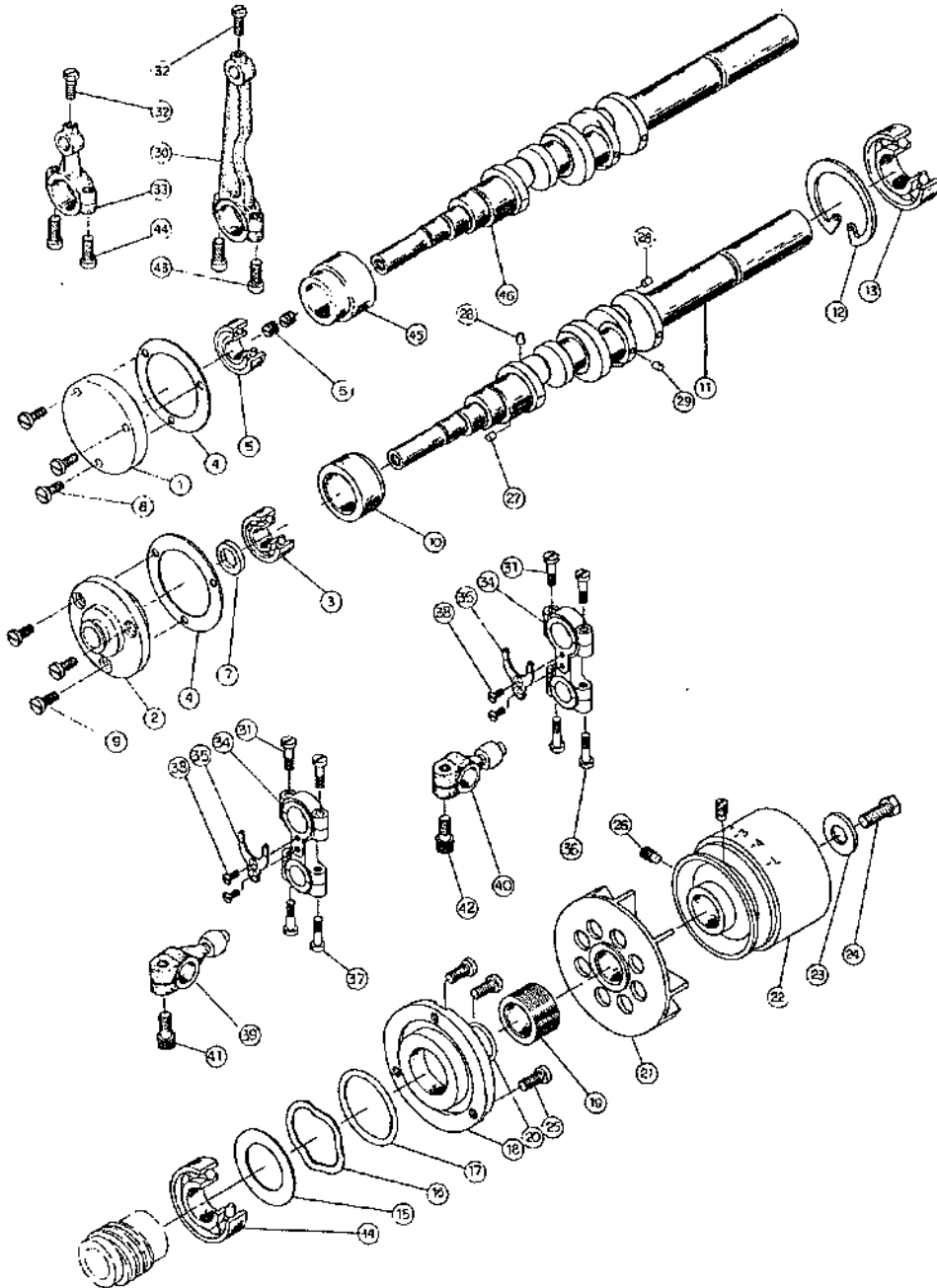
No.	PARTS No.	QTY	
1	Cloth plate asm	S- 6030101C700	1
2	Cloth plate hinge stud	S- 6030102B300	1
3	Eccentric bushing	S- 6030103A500	1
4	Screw	S- SX44400400A	1
5	Nut	S- 6030105D300	1
6	Screw	S- SX32440300A	1
7	Waved washer	S- 6030107D700	1
8	Collar	S- 6030108E300	3
9	Stopper base	S- 6030109C700	1
10	Spring	S- 6030110A800	1
11	Nut	S- SA44400407A	1
12	Screw	S- SB44401407A	1
13	Stopper	S- 6030113B700	1
14	Screw	S- SJ44400906M	2
15	Clothplate cover	S- 6030115D600	1
16	Rubber plug	S- 6030116A600	1
17	Screw	S- SJ36401307M	3
18	Cloth plate side cover	S- 6030118B700	1
19	Screw	S- SB48280808A	2
20	Feed mechanism cover	S- 6030120C200	1
21	Gasket	S- 6030121G700	1
22	Rubber plug	S- 6030122A600	1
23	Screw	S- SB36400505A	1
24	Screw	S- SF36400907A	1
25	Screw	S- SJ36401007M	3
* 1-2	26 Chip guard cover left	S- 6030126B700	1
* 3-4	27 Chip guard cover left	S- 6050127B700	1
28	Screw	S- SE44400608L	2
29	Cover	S- 6030129B700	1
30	Screw	S- SJ44400907M	4
* 1	31 Chip guard cover	S- 6030131B700	1
* 2	32 Chip guard cover	S- 6040132B700	1
* 3	33 Chip guard cover	S- 6050133B700	1
* 4	34 Chip guard cover	S- 6050134B700	1
35	Screw	S- SJ36400707M	4
36	Screw	S- SB36400607B	1
37	Looper cover	S- 6030137C200	1
38	Looper cover bracket	S- 6030138C200	1
39	Looper cover hinge pin	S- 6030139D300	1
40	Spring	S- 6030140A800	1
41	Looper cover presser plate	S- 6030141D700	1
42	Looper cover presser spring	S- 6030142D700	1
43	Screw	S- SJ36400606M	2
44	Screw	S- SJ44400907M	1
45	Screw	S- SK44400400A	1
46	Latch	S- 6030146B700	1
47	Screw	S- SJ44401208M	2
48	Washer	S- 6030148B700	1
49	Gasket	S- 6030149G700	1
* 1	For SH6003		
* 2	For SH6004		
* 3	For SH6005- <input type="checkbox"/> 3 <input type="checkbox"/>		
* 4	For SH6005- <input type="checkbox"/> 5 <input type="checkbox"/>		

FRAME COMPONENTS (2)



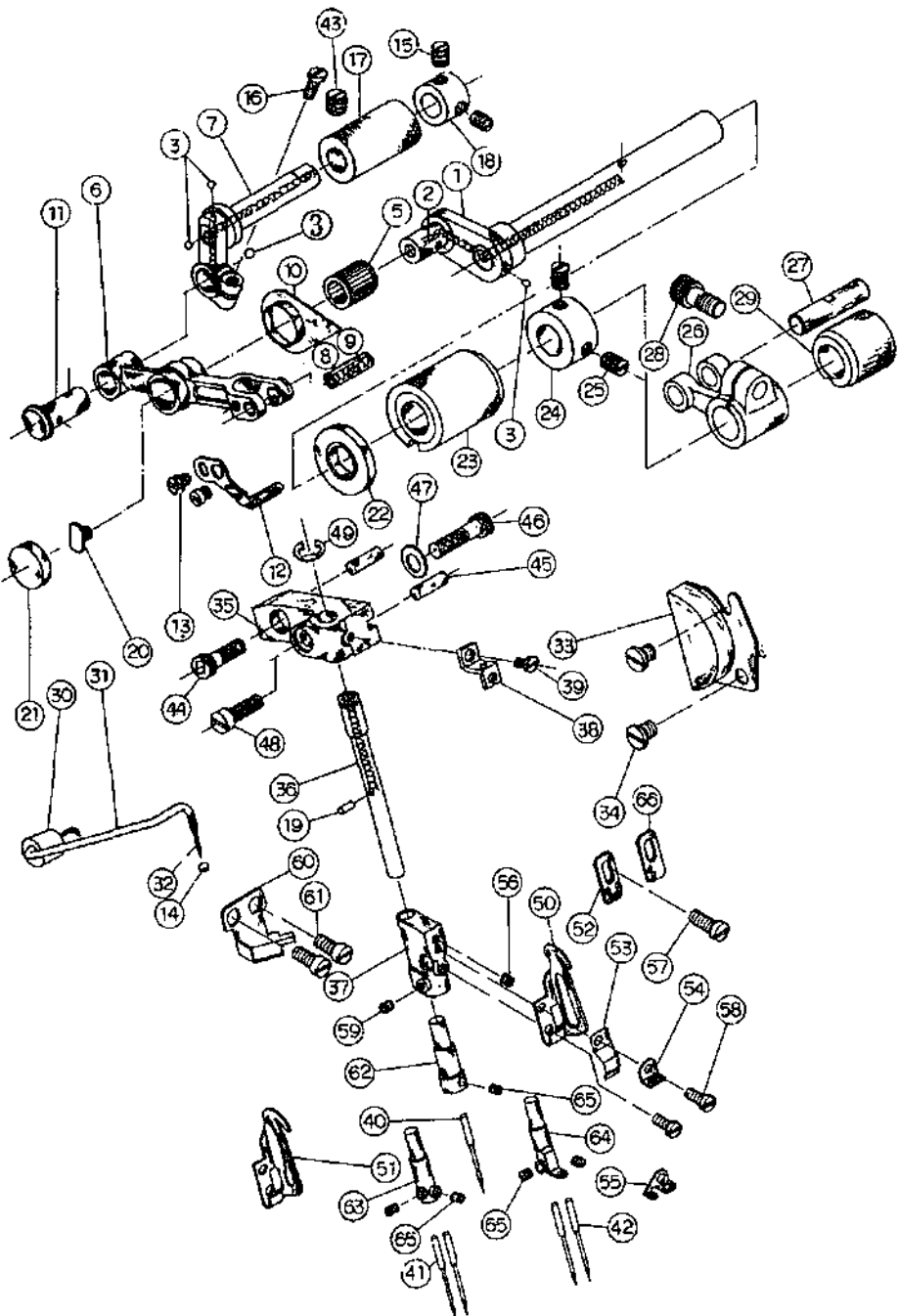
No.		PARTS No.	QTY
1	Upper cover	S- 6030201D200	1
2	Gasket	S- 6030202A600	1
3	Oil cap	S- 6030203B600	1
4	Screw	SJ48281208M	3
5	Spring	S- 6030205D700	1
6	Screw	SJ36400707M	1
7	Belt cover	S- 6030207D600	1
8	Screw	SJ60281310M	3
9	Gasket	S- 6030209G700	1
10	Rubber Plug	S- 6030210A600	1
11	Rubber Plug	S- 6030210A600	1
12	Thread guide	S- 6030212C300	2
13	Screw	S- SK60281109B	1
14	Plug	S- 6030214A600	1
15	Felt	S- 6030215L700	1
16	Washer	S- 6030216B700	1
17	Oil wick	S- 6707	1
18	Screw	S- SJ44400907M	1
19	Side cover	S- 6030219A200	1
20	Spring pin	S- SPU410	1
21	Screw	S- SB48282507B	4
22	Screw	S- SK36400400A	1
23	Washer	S- PW040912	1
24	Face Plate cover	S- 6030224D600	1
25	Pin	S- 6030225D300	1
26	Safety plate	S- 6030226B600	1
27	Nut	S- 6030227G300	2
28	Screw	S- SJ36400606M	2
29	Oil reservoir	S- 6030229C200	1
30	Oil gasket	S- 6030230A600	1
31	Filter	S- 6030231M700	1
32	Cord holder	S- 6030232B700	1
33	Filter reservoir	S- 6030233D600	1
34	Screw	S- WF03130807A	1
35	Screw	S- WF03130807A	1
36	Screw	S- WF03130807A	1
37	Screw	S- WF03130807A	2
38	Washer	S- PW040912	2
39	Bolts	S- 6030239D300	4
40	Washer	S- PW081802	4
41	Spring washer	S- SW207	4
42	Nut	S- SA64200612A	4
43	Screw	S- 6030243C300	1
44	Oil ring	S- 6030244A600	1
45	Chip guard Cover	S- 6050245B700	1
46	Chip guard Cover	S- 6030246B700	1
47	Screw	S- SB48280808A	2
48	Name plate	S- 6236	1
49	Name plate	S- 6237	1
50	Plug	S- 6030250H300	1
51	Sponge	S- 6030251L700	1
52	Filter	S- 6030252D600	1
* 1 For SH6003, SH6004			
* 2 For SH6005			

(3) CRANK SHAFT COMPONENTS



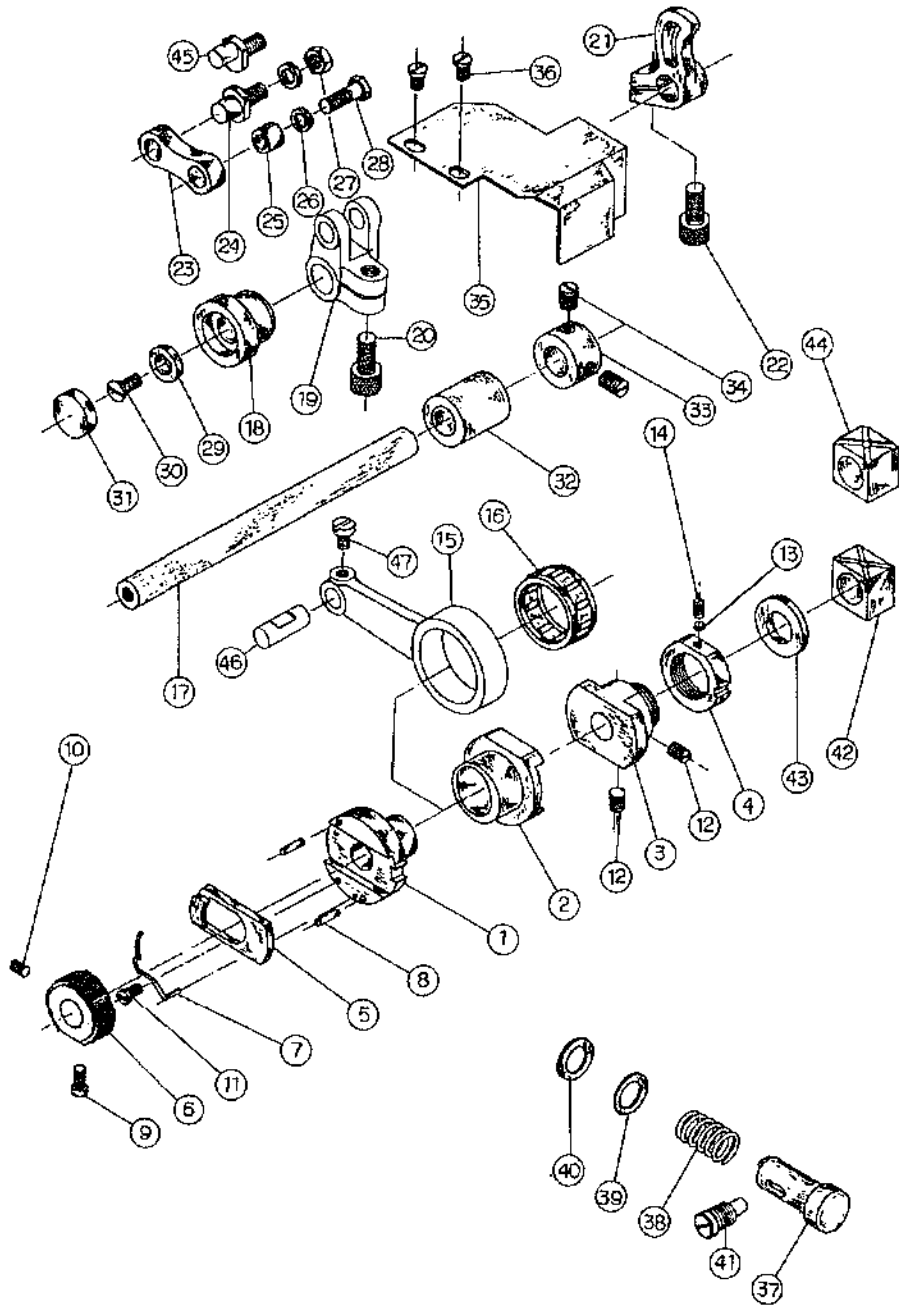
No.	PARTS No.	QTY
• 1 1	Crankshaft bushing S- 6030301B100	1
• 2 2	Crankshaft bushing S- 6050302B100	1
• 2 3	Ball bearing S- BB1026080Z	1
4	Gasket S- 6030304G700	2
• 1 5	Ball bearing S- BB10260800	1
• 1 6	Screw S- SH60280400A	2
• 2 7	Oil seal S- 6030307A600	1
• 1 8	Screw S- SJ44401208M	3
• 2 9	Screw S- SB44400807A	3
• 2 10	Crankshaft bushing S- 6050310B500	1
• 2 11	Crankshaft S- 6050311A300	1
12	Ball bearing retainer S- 6030312D700	1
13	Ball bearing S- BB17401200	1
14	Ball bearing S- BB1740120Z	1
15	Washer S- 6030315D700	1
16	Waved washer S- 6030316D700	1
17	Rubber ring S- 6030317A600	1
18	Thrust holder S- 6030318C200	1
19	Position lock ring S- 6030319D300	1
20	Oil seal S- 6030320A600	1
21	Fan S- 6030321C200	1
22	Hand wheel S- 6030322C200	1
23	Washer S- 6030323B700	1
24	Screw S- SK60281610B	1
25	Screw S- SJ48281208M	3
26	Screw S- S160281000B	2
27	Plug S- 6030327H300	1
28	Plug S- 6030328H300	2
29	plug S- 6030329H300	1
30	Needle bar connecting rod S- 6030330D100	1
31	Screw S- MC04071507A	4
32	Screw S- SK44400606A	2
33	Knife driving rod S- 6030333D100	1
34	Looper driving rod S- 6030334D100	2
35	Guide S- 6030335D300	2
36	Screw S- MC04071507A	2
37	Screw S- MC04071507A	2
38	Screw S- MF03050606A	4
• 1 39	Crank S- 6030339A100	1
40	Crank S- 6030340A100	1
• 1 41	Screw S- MN60751210A	1
42	Screw S- MN60751210A	1
43	Screw S- MC04071507A	2
44	Screw S- MC04071507A	2
• 1 45	Crankshaft bushing S- 6030345B500	1
• 1 46	Crankshaft S- 6030346A300	1
• 1	For SH6003、SH6004	
• 2	For SH6005	

4) NEEDLE DRIVING SHAFT COMPONENTS



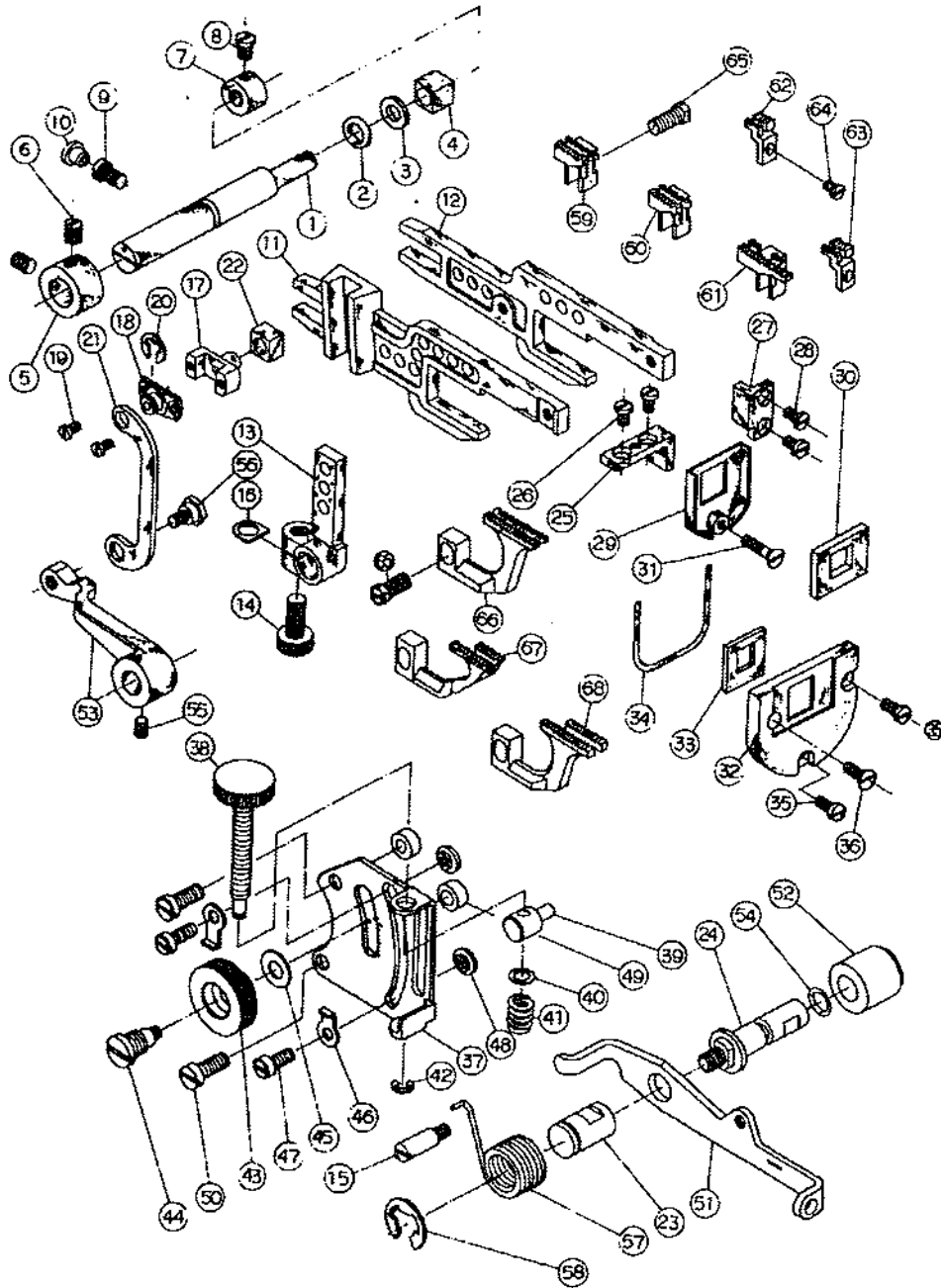
No.	PARTS No.	QTY
1	Needle driving shaft	1
2	Oil wick	1
3	Plug	4
4	Screw	1
5	Bushing	1
6	Needle driving lever	1
7	Holder	1
8	Crank pin	1
9	Oil wick	1
10	Oil shield	1
11	Crank pin	1
12	Needle thread presser	1
13	Screw	1
14	Plug	2
15	Screw	2
16	Screw	1
17	Bushing	1
18	Thrust collar	1
19	Oil wick	1
20	Bolt	1
21	Cover	1
22	Oil seal	1
23	Bushing	1
24	Thrust collar	1
25	Screw	2
26	Forked crank	1
27	Pin	1
28	Screw	1
29	Bushing	1
30	Oil wick cover bushing	1
31	Oil tube	1
32	Oil wick	1
33	Cover	1
34	Screw	2
35	Needle Bar Base	1
36	Needle bar	1
37	Needle clamp base	1
38	Needle thread guide	1
39	Screw	1
40	Needle	1
41	Needle	2
42	Needle	2
43	Screw	1
44	Screw	1
45	Pin	2
46	Screw	1
47	Washer	1
48	Screw	1
49	Retainer E	1
50	Needle thread take-up lever	1
51	Needle thread take-up lever	1
52	Needle thread guide	1
53	Presser spring	1
54	Needle thread guide	1
55	Needle thread guide	1
56	Screw	1
57	Screw	1
58	Screw	2
59	Screw	1
60	Oil reservoir asm	1
61	Screw	2
62	Needle clamp	1
63	Needle clamp	1
64	Needle clamp	1
65	Screw	5
66	Needle thread guide	1
* 1 For SH6003		
* 2 for SH6004		
* 3 For SH6005		
* 4 For SH6013		

(5) FEED MECHANISM COMPONENTS



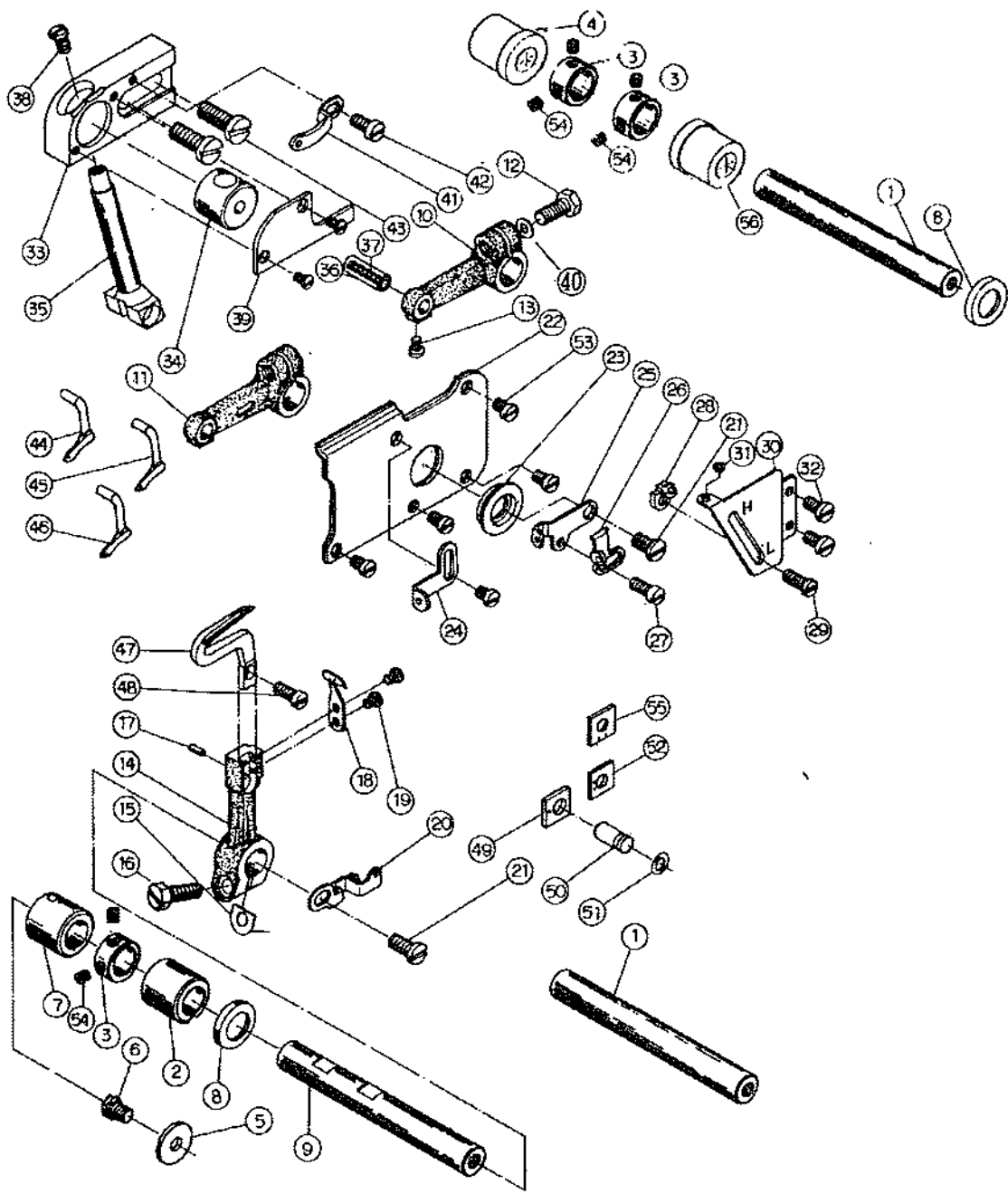
No.	PARTS No.	QT	
1	Eccentric	S-6030501A300	1
2	Eccentric	S-6030502A300	1
3	Press ring	S-6030503A300	1
4	Nut	S-6030504A300	1
5	Ratchet pawl	S-6030505B700	1
6	Ratchet gear	S-6030506A300	1
7	Ratchet Pawl Spring	S-6030507A800	1
8	Spring Pin	S-SP0310	2
9	Screw	S-SB44400706F	1
10	Screw	S-SX44400400A	1
11	Screw	S-SB24560604B	1
12	Screw	S-SX44400400A	2
13	Plug	S-6030513E700	1
14	Screw	S-SX32440300A	1
15	Crank rod	S-6030515A100	1
16	Bearing	S-NB22261000	1
17	Rocker Shaft	S-6030517A300	1
18	Rocker shaft bushing	S-6030518G300	1
19	Crank	S-6030519A100	1
20	Screw	S-MM60751210A	1
21	Main feed rocker	S-6030521A100	1
22	Screw	S-MM60751210A	1
23	Main feed link	S-6030523E200	1
24	Crank Pin	S-6030524A300	1
25	Collar	S-6030525A300	1
26	Washer	S-PW051015	2
27	Nut	S-SA48320309B	1
28	Screw	S-SK48321207C	1
29	Washer	S-6030529B700	1
30	Screw	S-SF36400607B	1
31	Rubber Plug	S-6030531A600	1
32	Bushing	S-6030532G300	1
33	Thrust collar	S-6030533D300	1
34	Screw	S-SH56320500A	2
35	Cover	S-6030535B700	1
36	Screw	S-SJ36400707M	2
37	Push button stud	S-6030537D300	1
38	Spring	S-6030538A800	1
39	Washer	S-6030539D700	1
40	Felt	S-6030540L700	1
41	Bolt	S-SB60281507D	1
• 2	42 Slide Block	S-6050542G300	1
43	Washer	S-6030543B700	1
• 1	44 Slide Block	S-6030544G300	1
• 3	45 Crank Pin	S-6030545A300	1
46	Crank Pin	S-6030546A300	1
47	Screw	S-SB44400807A	1
• 1 For SH6003 \ SH6004			
• 2 For SH6005			
• 3 For SH6043 SH6044 SH6045			
SH6074 SH6075			

(6) FEED MECHANISM COMPONENTS



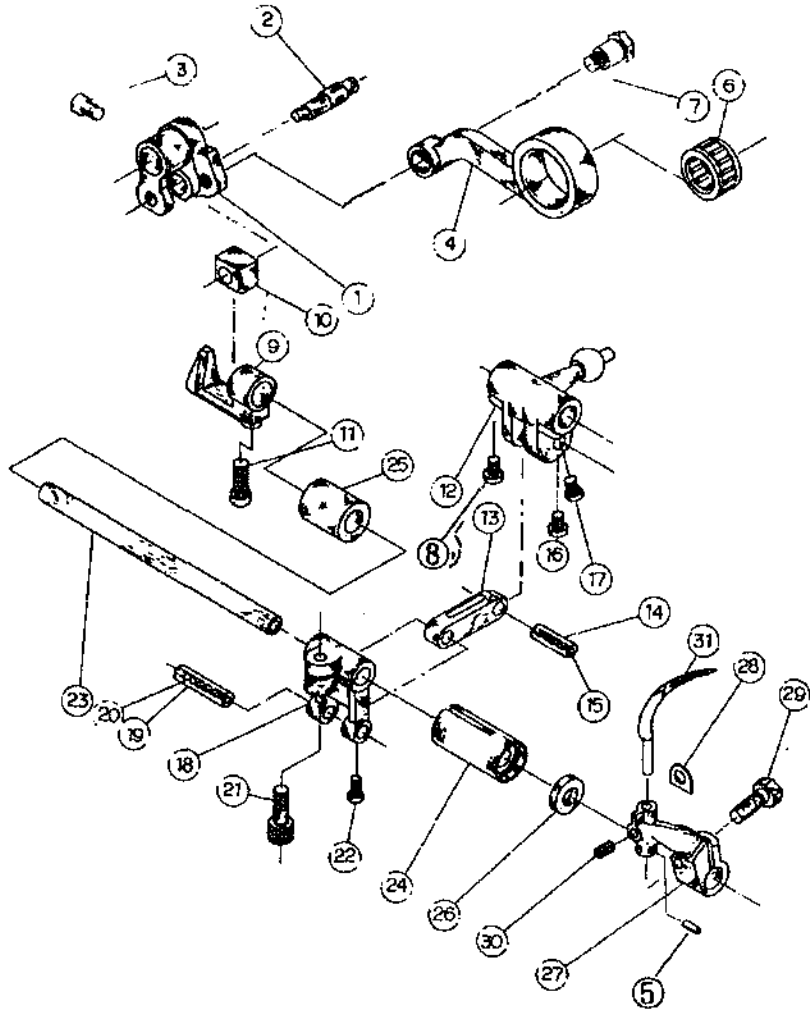
No.	PARTS No.	QTY
1	Feed bar shaft	S-6030601A300
2	Rubber ring	S-ORP08
3	Washer	S-6030603B700
4	Slide block	S-6030604A400
5	Collar	S-6030605D300
6	Screw	S-SH56320500A
7	Collar	S-6030607D300
8	Screw	S-SB44400706A
9	Screw	S-SB44400706A
10	Plug	S-6030610A600
11	Main feed bar	S-6030611A100
12	Differential feed bar	S-6030612A100
13	Differential feed rocker	S-6030613A100
14	Screw	S-MN60751210A
15	Stopper Screw	S-S148280600D
16	Washer	S-6030616B700
17	Slide block	S-6030617A100
18	Slide block	S-6030618A100
19	Screw	S-SE32440405L
20	Retainer E	S-ER05
21	Link	S-6030621B700
22	Slide block	S-6030622A400
23	Nut	S-6030623B300
24	Hinge Screw	S-6030624B300
25	Feed bar support	S-6030625A400
26	Screw	S-SJ36400606M
27	Feed bar support	S-6030627B700
28	Screw	S-SB36408505A
29	Rubber cover	S-6030629B700
30	Rubber	S-6030630F600
31	Screw	S-SF36409907A
32	Rubber case	S-6030632C200
33	Rubber	S-6030633F600
34	Rubber ring	S-6030634A600
35	Screw	S-SJ36409806M
36	Screw	S-SF36409907A
37	Differential Feed Graduation	S-6030637B700
38	Adjusting screw	S-6030638D300
39	Differential feed block	S-6030639D300
40	Washer	S-6030640B700
41	Spring	S-6030641A800
42	Retainer E	S-ER03
43	Lock nut	S-6030643D300
44	Hinge screw	S-6030644C300
45	Washer	S-6030645B700
46	Washer	S-6030646B700
47	Screw	S-SJ36400606M
48	Nut	S-6030648D300
49	Washer	S-6030649D300
50	Screw	S-SJ48281208M
51	Rocker shaft	S-6030651B700
52	Bushing	S-6030652A500
53	Differential feed rocker	S-6030653B200
54	Rubber ring	S-ORP06
55	Screw	S-SR60280700A
56	Hinge screw	S-SK44400909E
57	Spring	S-6030657A800
58	Retainer E	S-ER09
59	Differential feed dog	S-FD60821
60	Differential feed dog	S-FD60971
61	Differential feed dog	S-FD60828
62	Auxiliary feed dog	S-AF60871
63	Auxiliary feed dog	S-AF60874
64	Screw	S-SB32440705A
65	Screw	S-SK44400907A
66	Main feed dog	S-DF8040T
67	Main feed dog	S-DF85209
68	Main feed dog	S-DF8148E

- 1 For SR6003
- 2 For SH6004
- 3 For SH6005
- 4 For SR6003 SH6004



No.	PARTS No.	ITY
1	Upper looper shaft	2
2	Bushing	1
3	Thrust collar	3
4	Bushing	1
5	Washer	1
6	Screw	1
7	Bushing	1
8	Rubber ring	2
9	Lower looper shaft	1
10	Crank	1
11	Crank	1
12	Screw	1
13	Screw	1
14	Lower looper support arm	1
15	Washer	1
16	Screw	1
17	Spring pin	1
18	Travelling needle guide	1
19	Screw	4
20	Looper thread take-up	1
21	Screw	2
22	Oil shield plate	1
23	Oil seal	1
24	Thread guide	1
25	Looper thread take up	1
26	Thread take up	1
27	Screw	1
28	Lower looper thread guide	1
29	Screw	1
30	Looper thread take up cover	1
31	Thread guide	1
32	Screw	2
33	Guide support	1
34	Lever guide	1
35	Upper looper lever	1
36	Pin	1
37	Oil wick	1
38	Screw	1
39	Guide cover	1
40	Washer	1
41	Thread guide	1
42	Screw	1
43	Screw	2
44	Upper looper	1
45	Upper looper	1
46	Upper looper	1
47	Lower looper	1
48	Screw	1
49	Stopper	1
50	Pin	1
51	Rubber ring	1
52	Stopper	1
53	Screw	5
54	Screw	6
55	Stopper	1
56	Bushing	1
5	For SH6003 SR6004	
6	For SH6003 SR6005 (Needle # 8~#13)	
7	For SH6004 (Needle # 6~# 8) and SR6004 (Needle # 21)	
8	For SH6004 (Needle # 9~#16) and SR6004 A53	

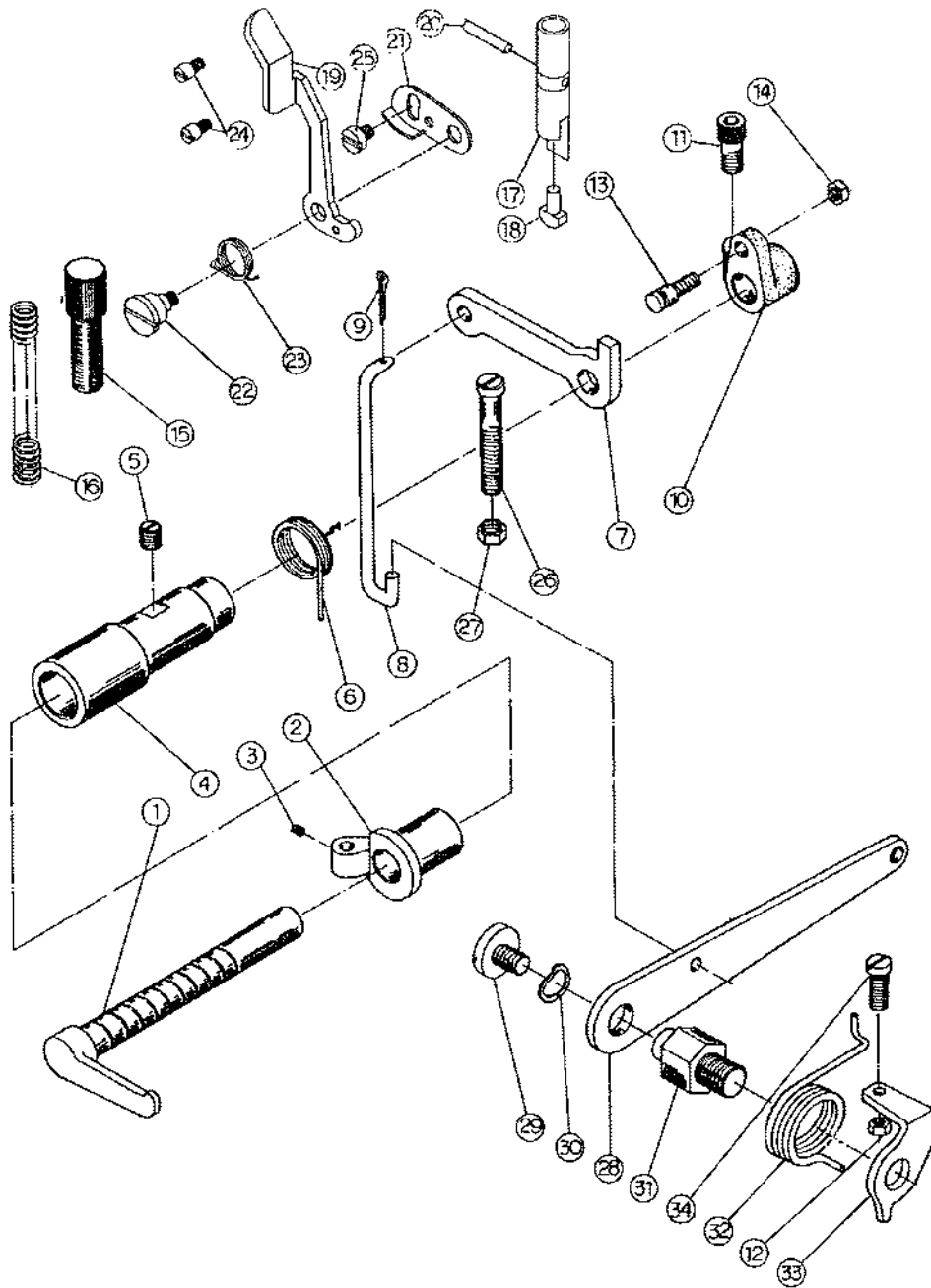
(8) CHAIN LOOPER COMPONENTS (FOR SH6005)



No.	PARTS No.	QTY
1	Chain looper shaft slide arm S- 6050801A100	1
2	Slide block pin S- 6050802A300	1
3	Screw S- SB44400706A	1
4	Chain looper rod S- 6050804A100	1
5	Spring Pin S- SP0208	1
6	Bearing S- NB18221000	1
7	Screw S- SK48321307C	1
8	Screw S- SN44400400A	1
9	Bracket S- 6050809A100	1
10	Slide block S- 6050810A400	1
11	Screw S- SB48321207A	1
12	Ball stud S- 6050812A100	1
13	Driving link S- 6050813A400	1
14	Pin S- 6050814A300	1
15	Oil wick S- 6707	1
16	Screw S- SB36400505A	1
17	Screw S- SN44400400A	2
18	Driving arm S- 6050818A100	1
19	Pin S- 6050819A300	1
20	Oil wick S- 6707	1
21	Screw S- MM60751210A	1
22	Screw S- SB36400505A	1
23	Chain looper shaft S- 6050823A300	1
24	Bushing S- 6050824G300	1
25	Bushing S- 6050825G300	1
26	Oil seal S- 6050826A600	1
27	Driving arm S- 6050827D100	1
28	Washer S- 6050828B700	1
29	Screw S- SK60281007F	1
30	Screw S- SN44400400A	1
31	Chain looper S- CL605294	1

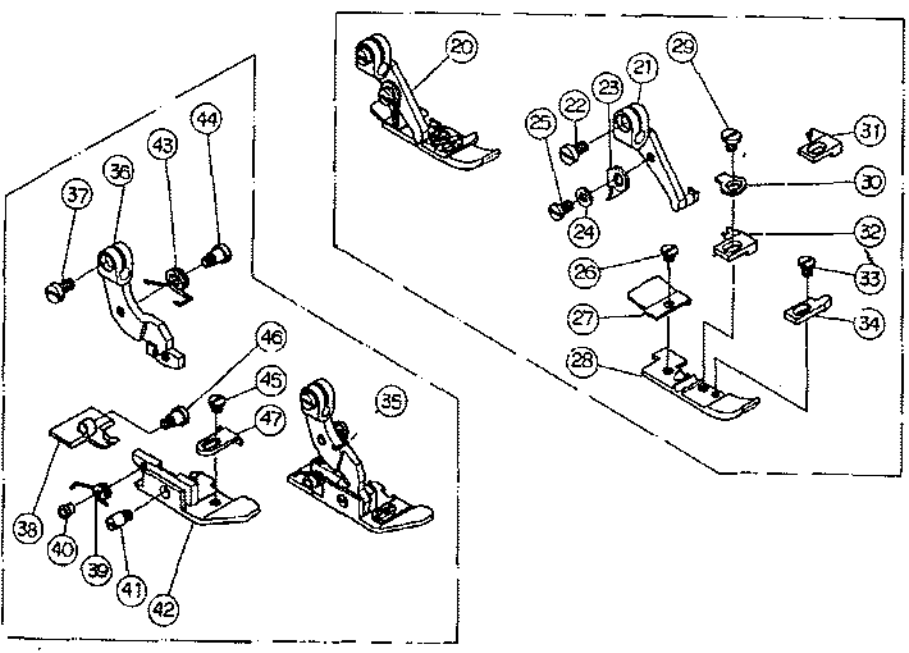
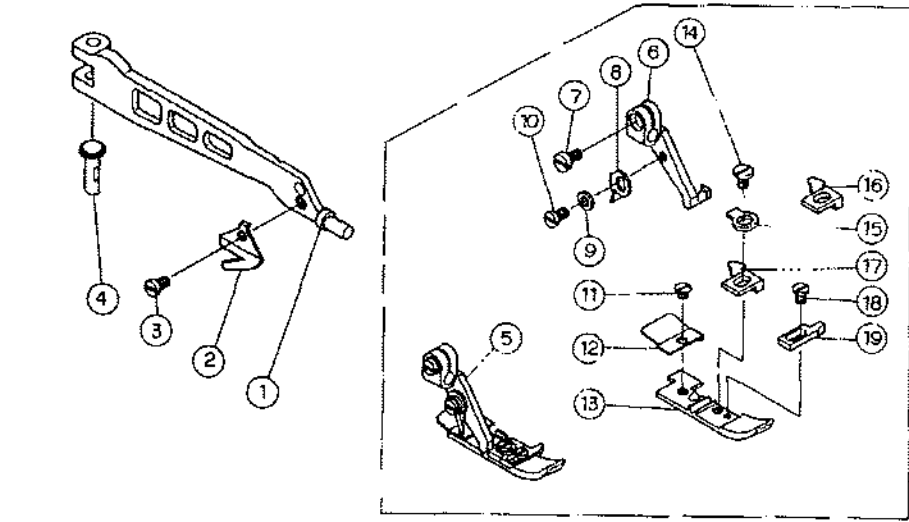
32

(9) PRESSER FOOT COMPONENTS



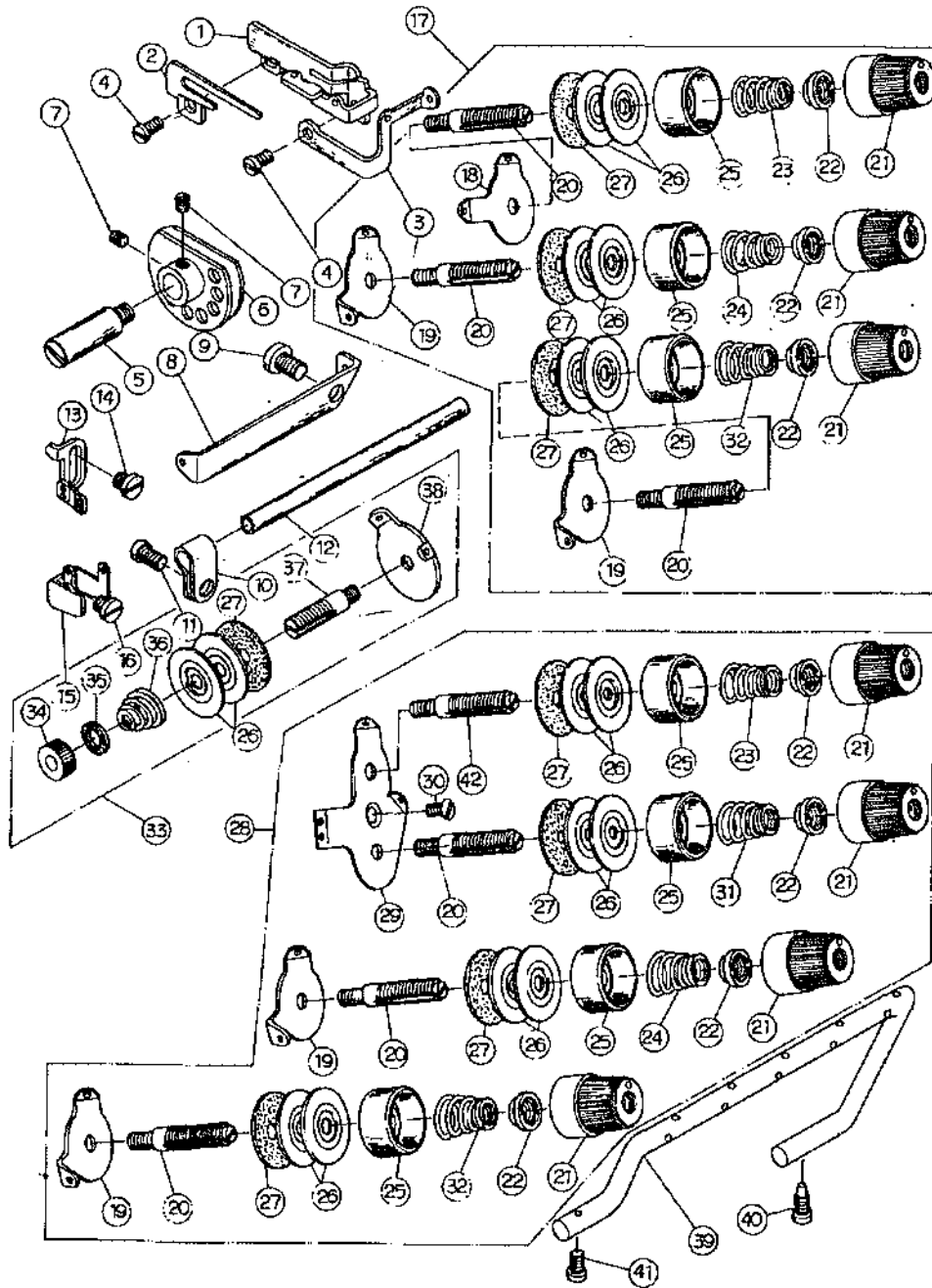
No.		PARTS No.	QT
1	Presser foot shaft	S- 6030901A100	1
2	Bushing	S- 6030902E200	1
3	Screw	S- MN04070400A	1
4	Bushing	S- 6030904F300	1
5	Screw	S- SH60280700A	1
6	Spring	S- 6030906A800	1
7	Lifting arm	S- 6030907B700	1
8	Lifting hook	S- 6030908B800	1
9	Split pin	S- SL0220	1
10	Presser foot Shaft Thrust arm	S- 6030910A100	1
11	Screw	S- MM60751210A	1
12	Nut	S- SA44400307A	1
13	Screw	S- SB44401105J	1
14	Nut	S- SA44400307A	1
15	Presser Spring regulator	S- 6030915D300	1
16	Spring	S- 6030916A800	1
17	Presser bar	S- 6030917A300	1
18	Plunger	S- 6030918D600	1
19	Presser foot lifting lever	S- 6030919B700	1
20	Spring Pin	S- SP0318	1
21	Base	S- 6030921B700	1
22	Lifting lever screw	S- 6030922D300	1
23	Spring	S- 6030923A800	1
24	Screw	S- SB36400505C	2
25	Screw	S- SJ44400508X	1
26	Screw	S- SK60283708C	1
27	Nut	S- SA60280309A	1
28	Lifting lever	S- 6030928B700	1
29	Screw	S- SC64240916C	1
30	Waved washer	S- 6030930D700	1
31	Lifting lever screw	S- 6030931D300	1
32	Spring	S- 6030932A800	1
33	Presser foot lifting lever stopper	S- 6030933B700	1
34	Screw	S- SK44401307A	1

00 PRESSER FOOT COMPONENTS



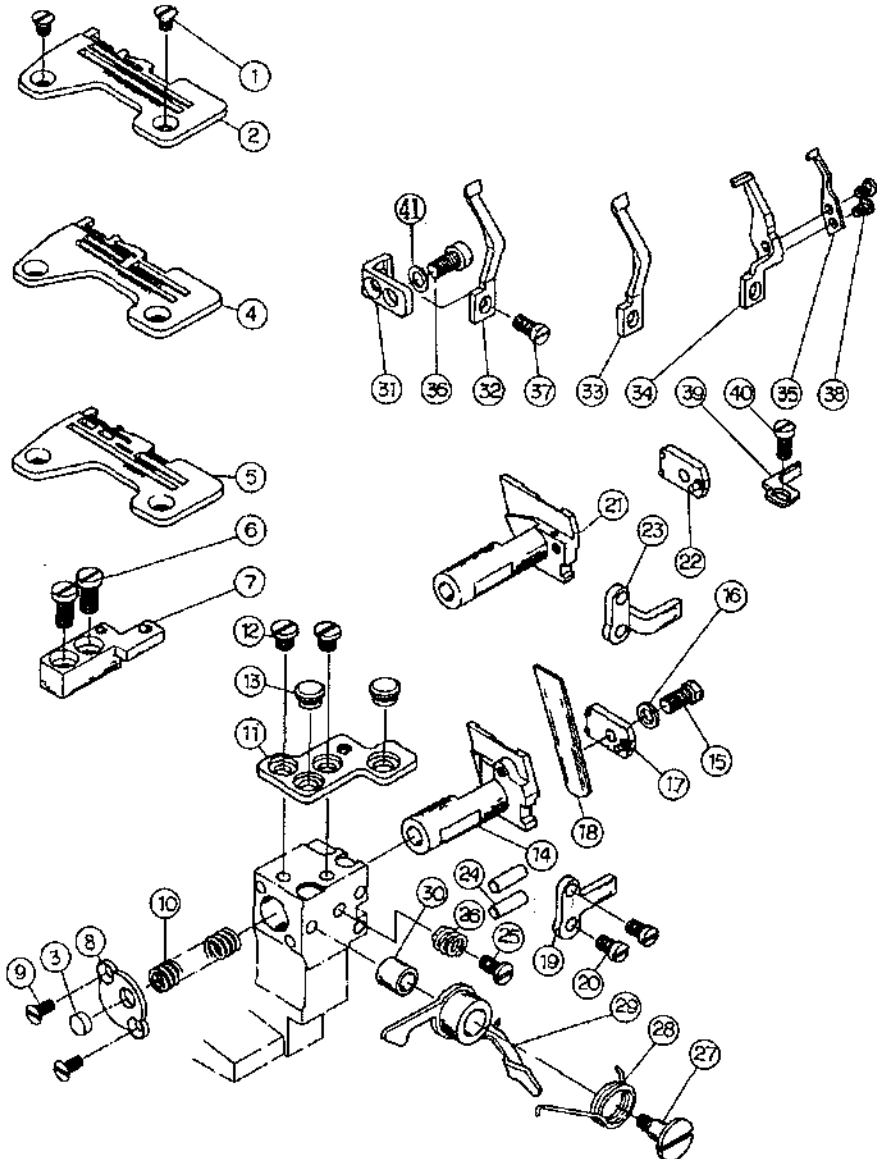
No.	PARTS No.	QTY
1	Presser foot arm	1
2	Thread trimmer	1
3	Screw	1
4	Pin	1
• 1 5	Presser foot asm	1
• 1 6	Presser foot hinge	1
• 1 7	Screw	1
• 1 8	Stopper	1
• 1 9	Washer	1
• 1 10	Screw	1
• 1 11	Screw	1
• 1 12	Rear presser foot	1
• 1 13	Presser foot	1
• 1 14	Screw	1
• 1 15	Spring	1
• 1 16	Stitch tongue	1
• 1 17	Stitch tongue	1
• 1 18	Screw	1
• 1 19	Curly guard	1
• 2 20	Presser foot asm	1
• 2 21	Presser foot hinge	1
• 2 22	Screw	1
• 2 23	Stopper	1
• 2 24	Washer	1
• 2 25	Screw	1
• 2 26	Screw	1
• 2 27	Rear presser foot	1
• 2 28	Presser foot	1
• 2 29	Screw	1
• 2 30	Spring	1
• 2 31	Stitch tongue	1
• 2 32	Stitch tongue	1
• 2 33	Screw	1
• 2 34	Curly guard	1
• 3 35	Presser foot asm	1
• 3 36	Presser foot hinge	1
• 3 37	Screw	1
• 3 38	Rear Presser foot	1
• 3 39	Spring	1
• 3 40	Nut	1
• 3 41	Hinge pin	1
• 3 42	Hinged type presser foot	1
• 3 43	Spring	1
• 3 44	Screw	1
• 3 45	Screw	1
• 3 46	Screw	1
• 3 47	Auxiliary stopper	1
• 1	FOR SH6003	
• 2	FOR SH6004	
• 3	FOR SH6005	

(1) THREAD TENSION COMPONENTS



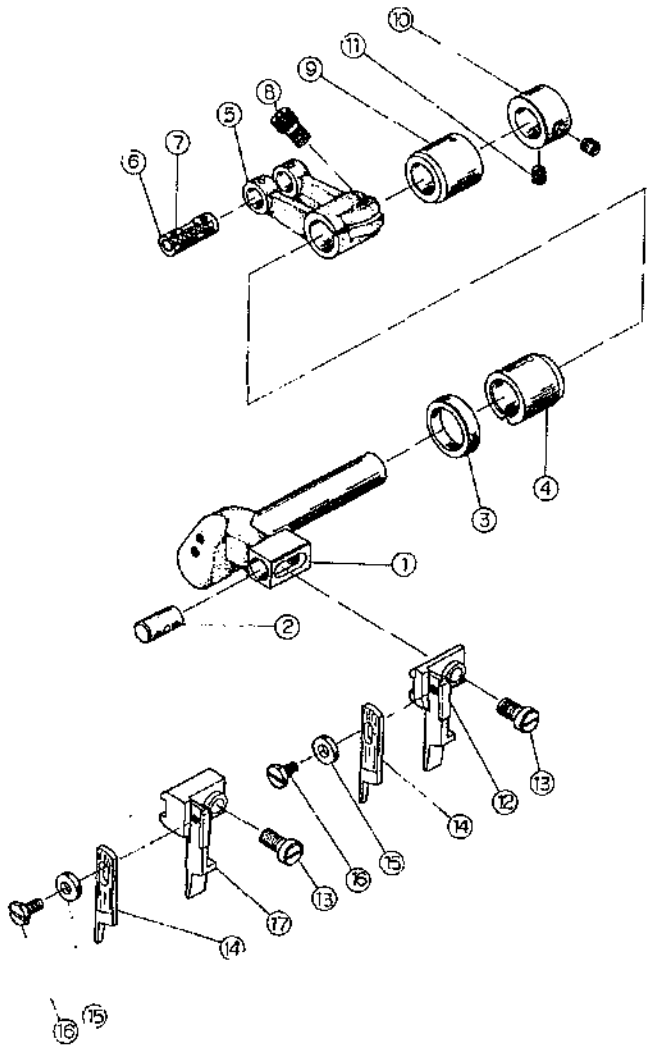
No.	PARTS No.	QTY
• 1 1	Chain looper thread guide S- 6051101B700	1
• 1 2	Hook S- 6051102B700	1
• 1 3	Chain looper thread guide S- 6051103B700	1
• 1 4	Screw S- SJ36400806M	2
• 1 5	Stud S- 6051105B300	1
• 1 6	Thread cam S- 6051106B700	1
• 1 7	Screw S- SX44400400A	2
• 1 8	Thread guide S- 6051108B700	1
• 1 9	Screw S- SJ60281310M	1
• 1 10	Mounting bracket S- 6051110B700	1
• 1 11	Screw S- SJ44400907M	1
• 1 12	Thread guide tube S- 6051112D300	1
13	Needle thread guide S- 6031113B700	1
14	Screw S- SJ44400808M	1
• 1 15	Needle thread guide S- 6051115B700	1
• 1 16	Screw S- SJ44400808M	1
• 2 17	Thread tension spring asm S- 6031101A	1
18	Thread guide S- 6031118B700	1
19	Thread guide S- 6031119B700	3
20	Stud S- 6031120D300	3
21	Nut S- 6031121D600	7
22	Bushing S- 6031122D600	7
23	Spring S- 6031123A800	2
24	Spring S- 6031124A800	4
25	Spring tube S- 6031125D600	7
26	Tension disc S- 6031126D700	16
27	Felt S- 6031127L700	8
• 3 28	Tension controller asm S- 6041102A	1
29	Thread guide S- 6041129B700	1
30	Screw S- SF44400607C	1
31	Spring S- 6041131A800	1
32	Spring S- 6051132A800	1
33	Tension controller asm S- 6051103A	1
34	Nut S- 6051134D300	1
35	Tension disc stopper S- 6051135B700	1
36	Spring S- 6051136A800	1
37	Stud S- 6051137D300	1
38	Thread guide S- 6051138B700	1
39	Thread guide S- 6031139B700	1
40	Screw S- SB60281309H	1
41	Screw S- SB44400706A	1
• 3 42	Stud S- 6031142D300	1
• 1	For SH6005	
• 2	For SH6003	
• 3	For SH6004 ~ SH6005	

② LOWER KNIFE COMPONENTS



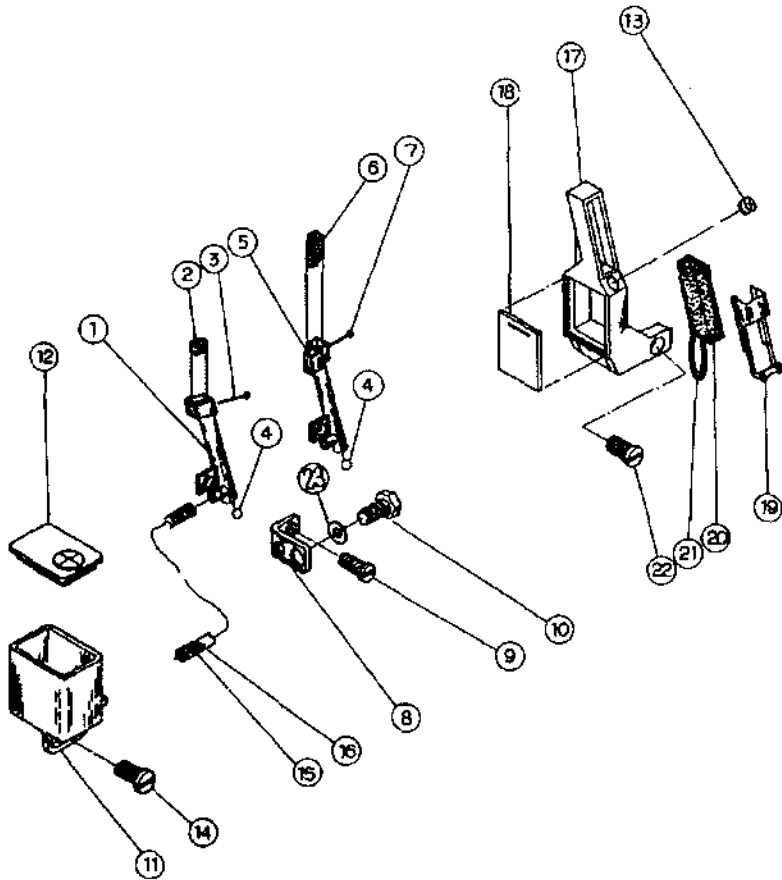
No.		PARTS No.	QTY	
	1	Screw	S- SF44400607C	2
* 1	2	Throat plate	S- TP603032	1
	3	Plug	S- 6031203L300	2
* 2	4	Throat plate	S- TP604A32	1
* 3	5	Throat plate	S- TP605C32	1
	6	Screw	S- SJ48281208M	2
	7	Throat plate base	S- 6031207B400	1
	8	Spring stopper	S- 6031208B700	1
	9	Screw	S- SF36400607B	2
	10	Spring	S- 6031210A800	1
	11	Throat plate base	S- 6031211B700	1
	12	Screw	S- SE44400608L	2
	13	Rubber plug	S- 6031213A600	2
* 4	14	Lower knife holder	S- 6031214E200	1
	15	Screw	S- SK44400907A	1
	16	Washer	S- PW051015	1
* 4	17	Presser plate	S- 6031217B700	1
	18	Lower knife	S- 6031218P700	1
* 4	19	Rotating stopper	S- 6031219P700	1
	20	Screw	S- SJ36400806M	2
* 3	21	Lower knife holder	S- 6051221E200	1
* 3	22	Presser plate	S- 6031217B700	1
* 3	23	Rotating stopper	S- 6051223B700	1
	24	Holder pin	S- ST0414	2
	25	Screw	S- SC44401008A	1
	26	Spring	S- 6031226A800	1
	27	Hinge Screw	S- SB44401614G	1
	28	Lever spring	S- 6031228A800	1
	29	Lever	S- 6031229B700	1
	30	Rubber plug	S- 6031230A600	1
	31	Needle guide holder	S- 6031231B700	1
* 1	32	Needle guide	S- 6031232E200	<NG603901> 1
* 2	33	Needle guide	S- 6031233E200	<NG604903> 1
* 3	34	Needle guide	S- 6051234E200	<NG605905> 1
* 3	35	Needle guide	S- 6051235E200	<NG605906> 1
	36	Screw	S- SK44401307A	1
	37	Screw	S- SK36400807A	1
* 3	38	Screw	S- SE32440405L	2
* 3	39	Needle guide	S- 6051239E200	<NG605907> 1
* 3	40	Screw	S- SE36400406L	1
	41	Washer	S- PW051007	1
* 1		For SH6003		
* 2		For SH6004		
* 3		For SH6005		
* 4		For SH6003 - SH6004		

UPPER KNIFE COMPONENTS



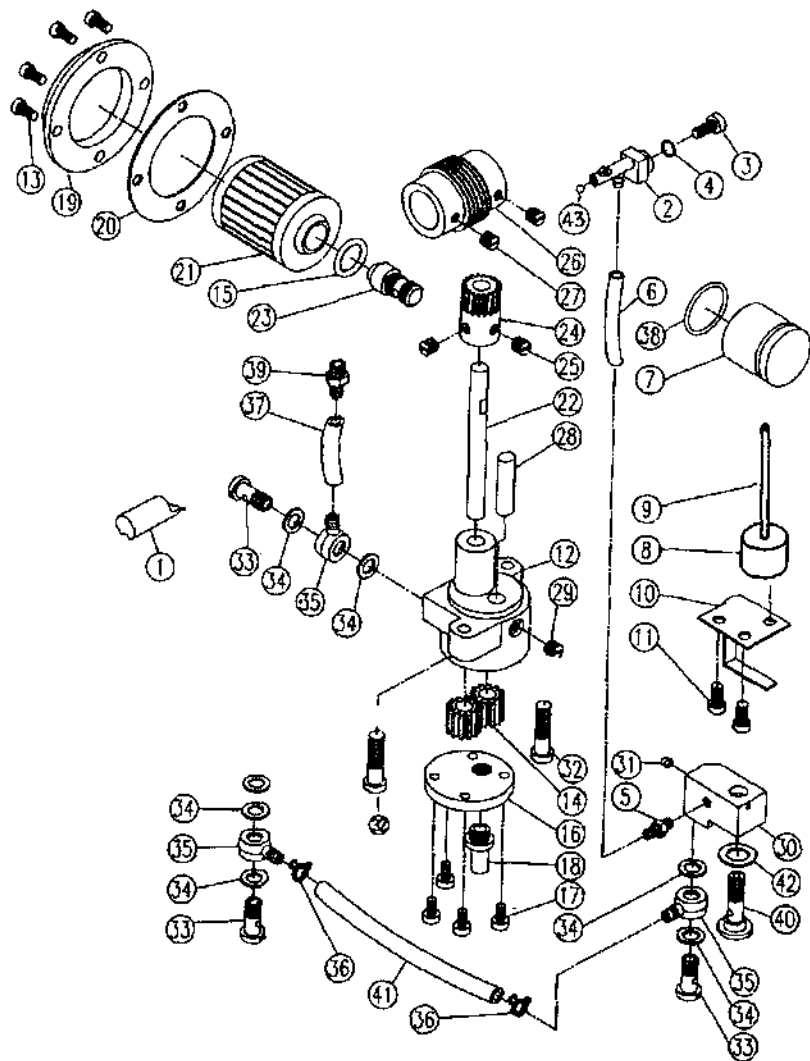
No.		PARTS No.	QTY
1	Knife driving arm	S- 6031301A100	1
2	Pin	S- 6031302D300	1
3	Oil seal	S- 6031303A600	1
4	Bushing	S- 6031304G300	1
5	Crank	S- 6031305A100	1
6	Crank pin	S- 6030427A300	1
7	Oil wick	S- 6707	1
8	Screw	S- MM60751210A	1
9	Bushing	S- 6031309G300	1
10	Thrust collar	S- 6031310D300	1
11	Screw	S- SH56320500A	2
• 1 12	Upper knife support	S- 6031312E200	1
13	Screw	S- SC44401008A	1
14	Knife	S- 6031314C500	1
15	Washer	S- PW040912	1
16	Screw	S- SK36400807A	1
• 2 17	Upper knife support	S- 6051317E200	1
• 1	For SH6003 - SH6004		
• 2	For SH6005		

10 NEEDLE COOLING MECHANISM



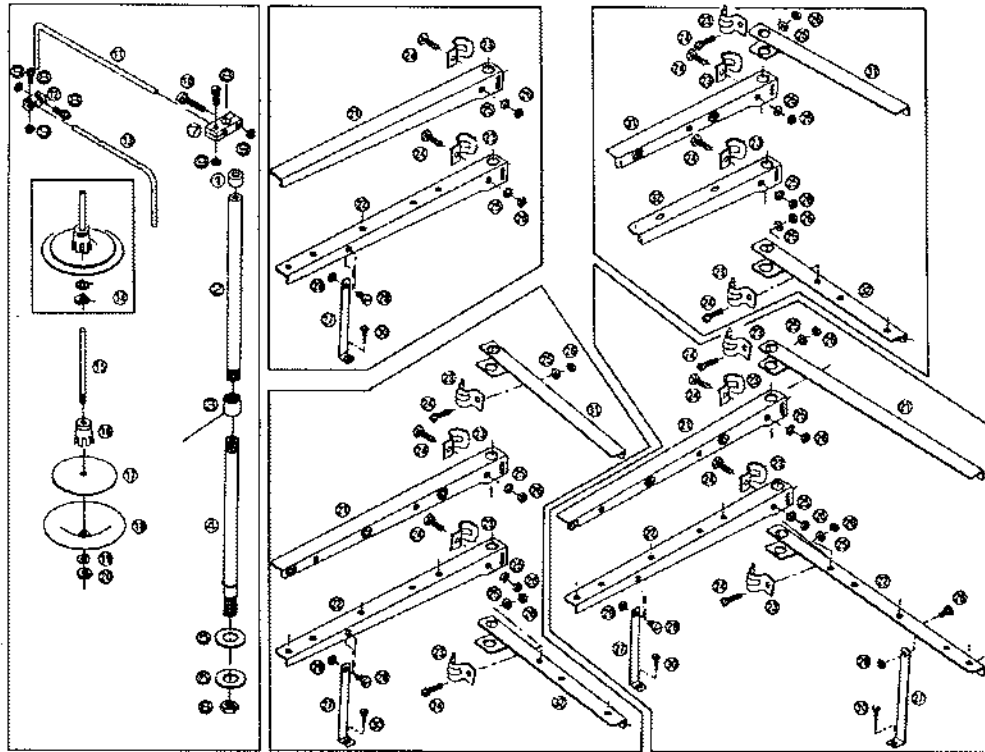
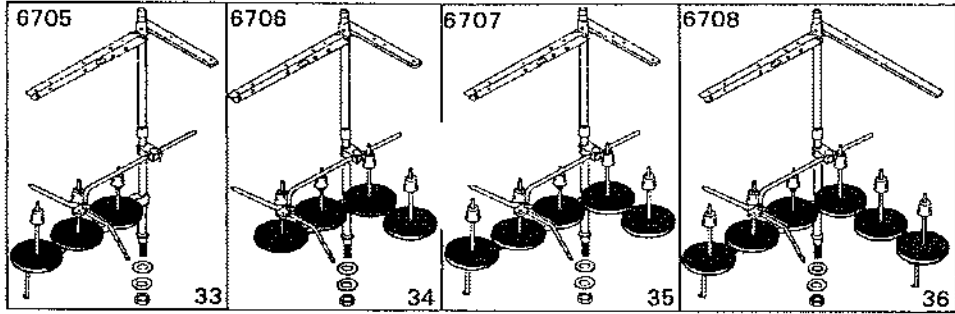
No.	PARTS No.	QTY
• 1 1	Needle cooler S- 6031401D200	1
• 1 2	Felt S- 6031402L700	1
• 1 3	Wire S- 6031403D800	1
4	Plug S- 6031404R300	1
• 2 5	Needle cooler S- 6051405D200	1
• 2 6	Felt S- 6051406D200	1
• 2 7	Wire S- 6051407D800	1
8	Support S- 6031408B700	1
9	Screw S- SK36400707M	1
10	Screw S- SK44401307A	1
11	Oil tank S- 6031411D200	1
12	Oil tank cover S- 6031412A600	1
13	Plug S- 6031413A600	1
14	Screw S- SC44401008A	1
15	Oil wick S- 6707	1
16	Oil tube S- 6692	1
17	Tank S- 6031417D200	1
18	Oil sign gauge S- 6031418B600	1
19	Cover S- 6031419D700	1
20	Sponge S- 6031420L700	1
21	Oil wick S- 6707	1
22	Screw S- SB44400807A	1
23	Washer S- PW051607	1
• 1	For SH6003、SH6004	
• 2	For SH6005	

09 LUBRICATION MECHANISM



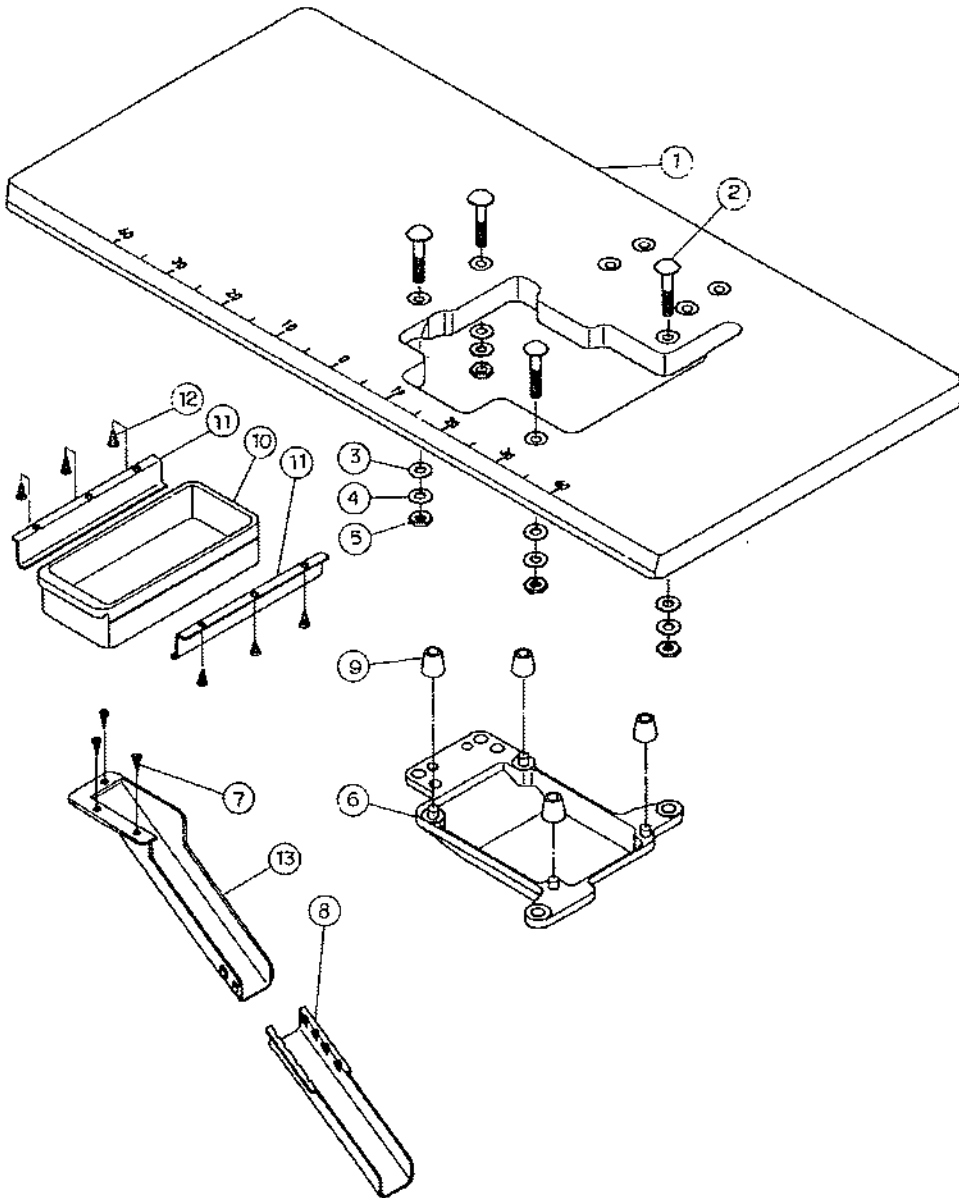
No.	PARTS No.	QTY
1	Bushing S- 6031501D600	1
2	Oil exhaust holder S- 6031502B700	1
3	Screw S- SJ44401208M	1
4	Rubber ring S- ORP06	1
5	Oil tube joint S- 6031505G300	1
6	Oil tube S- 6692	1
7	Oil sign gauge S- 6031507K300	1
8	Float S- 6031508C900	1
9	Indicator S- 6031509D600	1
10	Indicator support S- 6031510B700	1
11	Screw S- SJ44400907M	2
12	Oil pump base S- 6031512A200	1
13	Screw S- SJ44401208M	4
14	Gear S- 6031514A500	2
15	Rubber ring S- ORP12	1
16	Cover S- 6031516B700	1
17	Screw S- SJ36400707M	4
18	Oil tube S- 6031518B700	1
19	Filter cover S- 6031519D200	1
20	Gasket S- 6031520G700	1
21	Cartridge filter S- 6031521G700	1
22	Shaft S- 6031522A300	1
23	Oil tube joint S- 6031523G300	1
24	Worm gear S- 6031524B300	1
25	Screw S- SH56320500A	2
26	Worm S- 6031526A300	1
27	Screw S- SN56320500A	2
28	Shaft S- 6031528A300	1
29	Screw S- SH44400400A	1
30	Distribute block S- 6031530D200	1
31	Plug S- 6031531H300	1
32	Screw S- SE48282007L	2
33	Screw S- 6031533D300	3
34	Washer S- 6031534E600	7
35	Oil tube joint S- 6031535D600	3
36	Snap ring S- 6031536A800	2
37	Oil tube S- 6031537A600	1
38	Oil seal S- 6030320A600	1
39	Oil tube joint S- 6031539G300	1
40	Screw S- 6031540G300	1
41	Oil tube S- 6031541A600	1
42	Washer S- 6031542E600	1
43	Plug S- 6031543D600	1

19 THREAD STAND COMPONENTS



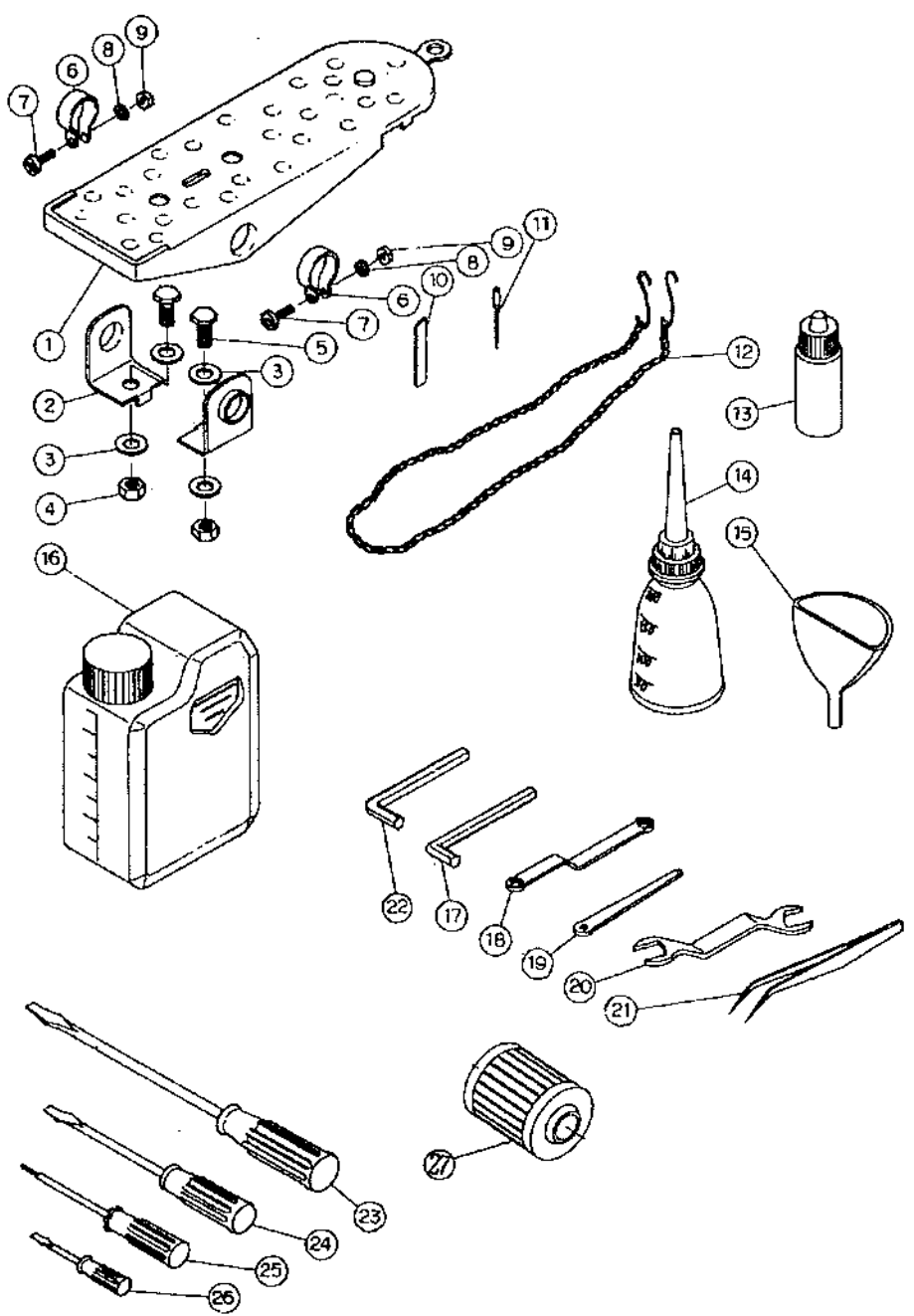
No.	PARTS No.	QTY	
1	Rod cup -----	67051	1
2	Upper Thread Stand Rod -----	67052	1
3	Joint -----	67053	1
4	Lower Thread Stand Rod -----	67054	1
5	Washer -----	67055	2
6	Nut -----	67056	1
7	Bracket -----	67057	1
8	Screw -----	67058	3
9	Nut -----	67059	4
10	Screw -----	670510	1
11	Arm -----	670511	1
12	Bracket -----	670512	1
13	Thread Guide -----	670513	1
14	Spool Set for SH6003 -----	670514	3
	Spool Set for SH6004 -----	670514	4
	Spool Set for SH6005 -----	670514	5
	Spool Set for SH6006 -----	670514	6
15	Spool Pin -----	670515	1
16	Spool Retaining Fig -----	670516	1
17	Seat -----	670517	1
18	Spool Tray -----	670518	1
19	Spring Washer -----	670519	1
20	Nut -----	670520	1
21	Thread Guide for SH6003 SH6005 ---	670521	1
	Thread Guide for SH6006 -----	670521	2
22	Spool Set Bracket for SH6003 SH6005	670522	1
	Spool Set Bracket for SH6006 -----	670522	2
23	Clamp -----	670523	2
24	Screw -----	670524	1
25	Spring Washer -----	670525	1
26	Nut -----	670526	1
27	Support Rod for SH6003 SH6005 ---	670527	1
	Support Rod for SH6006 -----	670527	2
28	Screw for SH6003 SH6005 -----	670528	1
	Screw for SH6006 -----	670528	2
29	Nut for SH6003 SH6005 -----	670529	1
	Nut for SH6006 -----	670529	2
30	Wood Screw for SH6003 SH6005 ---	670530	1
	Wood Screw for SH6006 -----	670530	2
31	Thread Guide for SH6004 -----	670531	2
	Thread Guide for SH6005 -----	670531	1
32	Spool Set Bracket for SH6004 -----	67061	2
	Spool Set Bracket for SH6005 -----	67052	1
33	Thread Stand Asm. for SH6003 -----	6705	
34	Thread Stand Asm. for SH6004 -----	6706	
35	Thread Stand Asm. for SH6005 -----	6707	
36	Thread Stand Asm. for SH6006 -----	6708	

07 SEMI-SUNKEN TYPE TABLE COMPONENTS



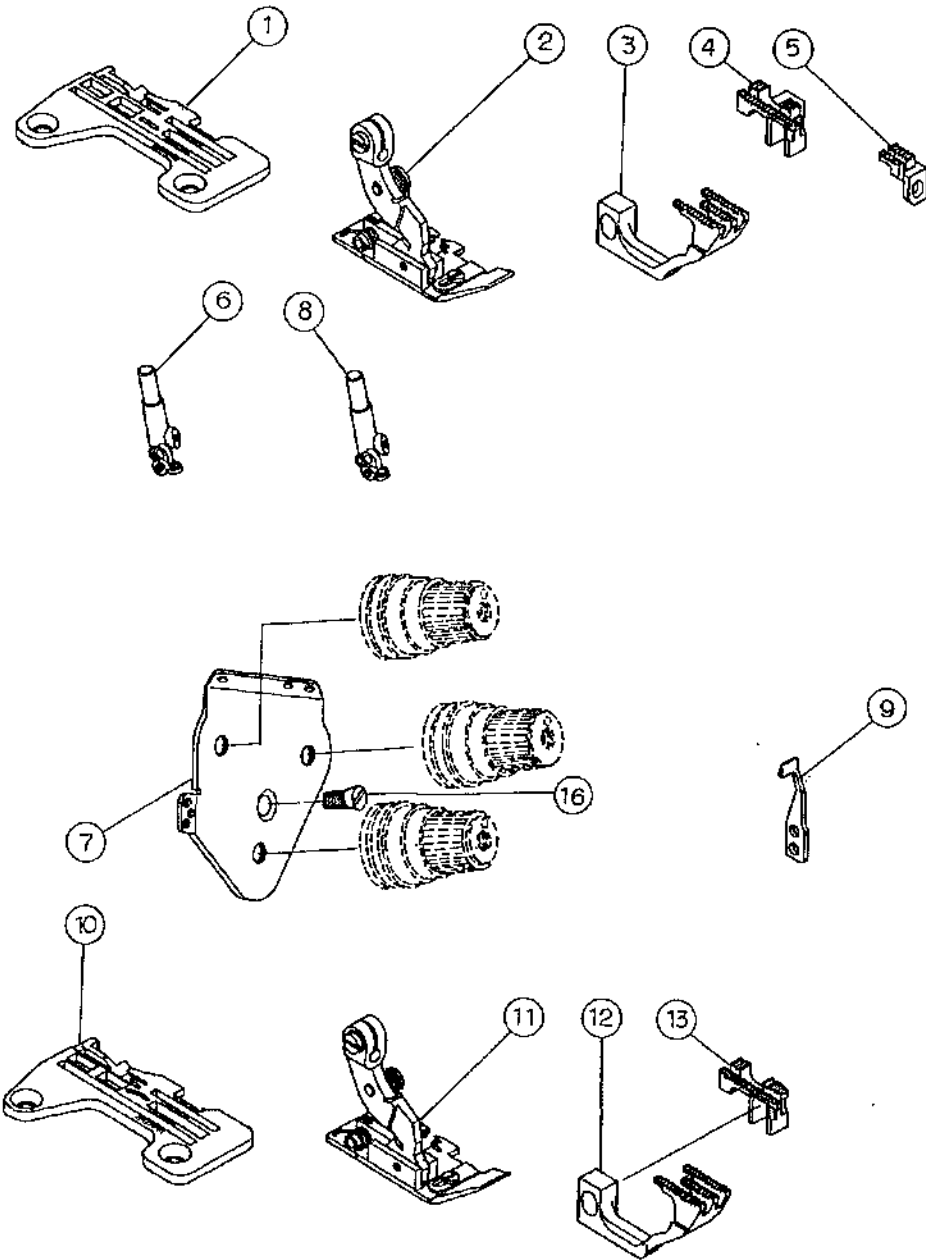
No.		PARTS No.	QTY
1	Table	S- 6721	1
2	Screw	s- 6031702D300	4
3	Washer	s- 6031703B700	8
4	Washer	S- 6031704B700	4
5	Nut	S- SA10160714A	4
6	Frame support plate	S- 6031706C200	1
7	Screw	S- WF03131706A	3
8	Waste chute, lower	S- 6742	1
9	Rubber	s- 6031709A600	4
10	Drawer	S- 6751	1
11	Drawer support	S- 6752	2
12	Screw	S- WF05142207A	6
13	Waste chute, upper	s- 6741	1

ACCESSORIES



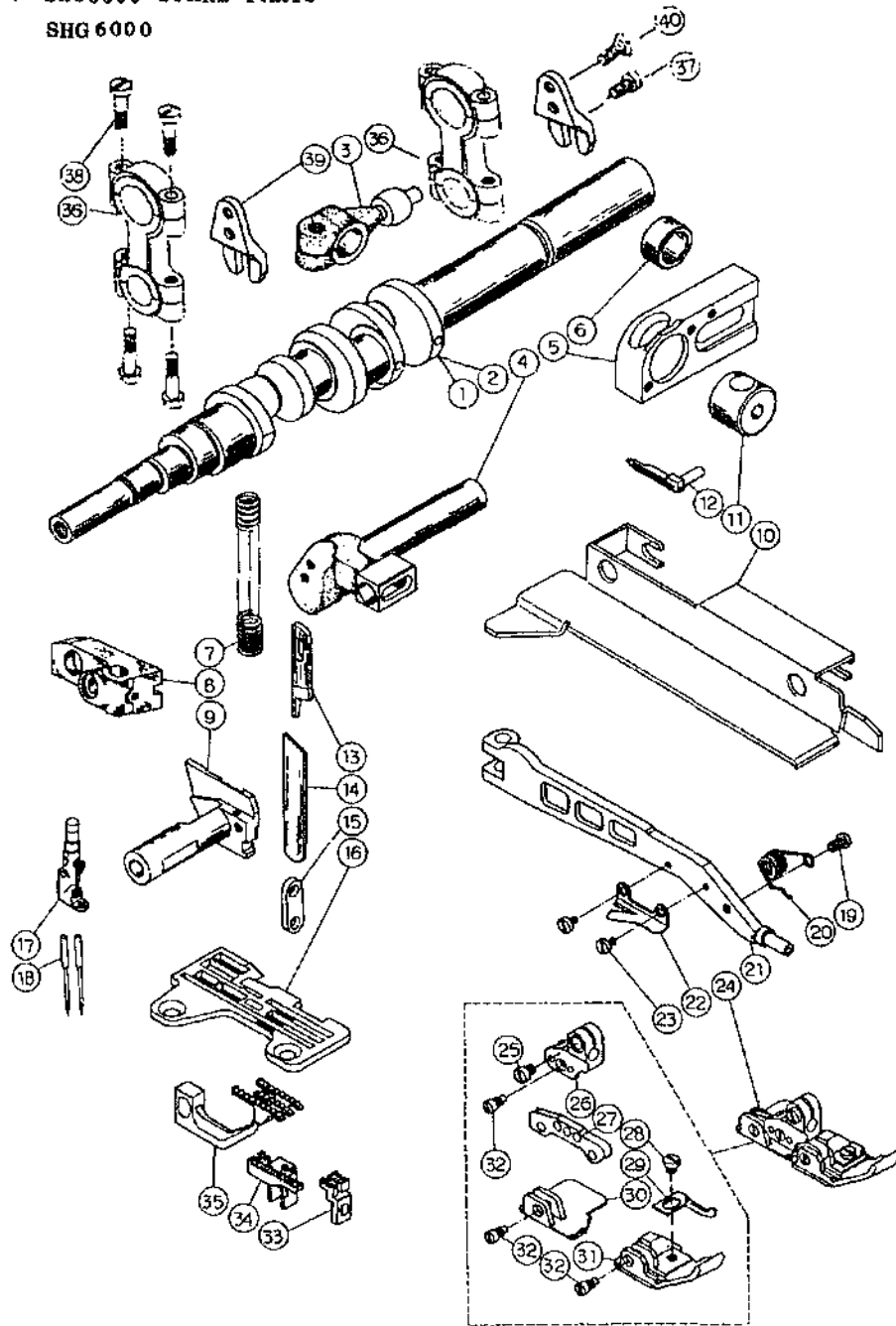
No.		PARTS No.	QTY
1	Pedal	S- 67001	1
2	Bearing	S- 67002	2
3	Washer	S- 67003	4
4	Nut	S- 67004	2
5	Screw	S- 67005	2
6	Snap ring	S- 67006	2
7	Screw	S- 67007	2
8	Washer	S- 67008	2
9	Nut	S- 67009	2
10	Lower Knife	S- 6031218P700	1
11	Needle	S- 6732	10
12	Chain	S- 6695	1
13	Oiler	S- 6720	1
14	Container	S- 6721	1
15	Oil Funnel	S- 6722	1
16	Oil Container	S- 6715	1
17	Allen Key	S- 6635	1
18	Wrench	S- 6655	1
19	Wrench	S- 6656	1
20	Wrench	S- 6625	1
21	Tweezers	S- 6690	1
22	Allen Key	S- 6636	1
23	Screwdriver	S- 6665	1
24	Screwdriver	S- 6666	1
25	Allen Key Driver	S- 6675	1
26	Screwdriver	S- 6667	1
27	Cartridge Filter	S- 6031521G700	1

(19) FOR SH6006



No.	PARTS No.	QTY
• 1 1	Throat plate S- TP606CA3	1
• 1 2	Presser foot complete set S- PF606CA3	1
• 1 3	Differential feed dog S- DF86009	1
• 1 4	Main feed dog S- FD60823	1
5	Aux feed dog S- AF60874	1
• 1 6	Needle clamp S- NC606032	1
7	Needle thread guide eyelet S- 6061907B700	1
• 2 8	Needle clamp S- NC606048	1
9	Needle guide S- 6061909E200 <NG606908>	1
• 2 10	Throat plate S- TP606DA3	1
• 2 11	Presser foot, complete set S- PF606DA3	1
• 2 12	Differential feed dog S- DF86009	1
• 2 13	Main feed dog S- FD60840	1
14	Aux. feed dog S- AF60874	1
• 1	For 6006CA3	
• 2	For 6006DA3	

(20) SHG6000 SPARE PARTS
SHG 6000



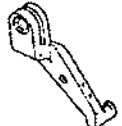











No.		PARTS No.	QTY
1	Crankshaft	S- G6040101A300	1
2	Crankshaft	S- G6050102A300	1
3	Crank	S- G6050103A100	1
4	Knife driving	S- G6050104A100	1
5	Guide Support	S- G6050105E200	1
6	Thrust collar	S- G6050106D300	1
7	Spring	S- G6050107A800	1
8	Needle Bar Base	S- G6050108B200	1
9	Lower Knife holder	S- G6050109E200	1
10	Cloth plate side cover	S- G6050110B700	1
11	Lever guide	S- G6050111H300	1
12	Upper looper	S- GUL605150	1
13	Knife	S- G6050113C500	1
14	Lower knife	S- G6050114P700	1
15	Washer	S- G6050115B700	1
16	Throat plate	S- GTP605063	1
17	Needle clamp	S- GNC605048	1
18	Needle	S- TV64 (B-64)	2
19	Screw	S- SC32440406A	1
20	Spring	S- G6050120A800	1
21	Presser foot arm	S- G6050121E200	1
22	Thread trimmer	S- G6050122D700	1
23	Screw	S- SB24560405A	2
24	Presser foot arm	S- GPF605D63	1
25	Screw	S- SC36400706A	1
26	Presser foot hinge	S- GPF605D63A	1
27	Hinged Presser foot hing	S- GPF605D63D	1
28	Screw	S- SC32440405A	1
29	Auxiliary stopper	S- GPF605D63E	1
30	Rear Presser foot	S- GPF605D63C	1
31	Hinged type presser foot	S- GPF605D63B	1
32	Screw	S- SB32440604D	3
33	Differential feed dog	S- AF60876	1
34	Differential feed dog	S- FD60283	1
35	Main feed dog	S- DF28403	1
36	Looper driving rod	S- G6050136C100	2
37	Screw	S- MB03050505A	2
38	Screw	S- SC44401207C	8
39	Guide	S- G6050140A100	2
40	Screw	S- MF03050606A	2

For SHG6004














SH6003

List of Main Spare Parts for SH6003





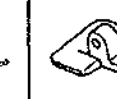


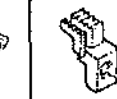







Main Parts Models	 Throat plate	 Presser foot asm	 presser foot hinge	 Presser foot	 Stitch tongue	 Main feed dog	 Differ- ential feed dog	 Auxili- ary feed dog	 Upper looper	 Lower looper	 Chip guard cover	 Needle clamp
SH6002-032-M02	TP603032	PF603032	PF603032A	PF603032B	PF603032C	FD60821	DF8040T	AF60871	UL603886	LL603884	6030131 B700	NC603033
SH6003-032-M04	TP603032	PF603032	PF603032A	PF603032B	PF603032C	FD60821	DF8040T	AF60871	UL603880	LL603884	6030131 B700	NC603033
SH6003-052-M04	TP603052	PF603052	PF603032A	PF603052B	PF603052C	FD60821	DF8040T	AF60871	UL603880	LL603884	6040132 B700	NC603033
SH6003-062-M04	TP603062	PF603062	PF603032A	PF604B33B	PF603052C	FD60821	DF8040T	AF60871	UL603880	LL603884	6040132 B700	NC603033
SH6003-053-H04	TP603053	PF603052	PF603032A	PF603052B	PF603052C	FD60822	DF85100	AF60871	UL603880	LL603884	6040132 B700	NC603033
SH6003-063-H04	TP603063	PF603062	PF603032A	PF604B33B	PF603052C	FD60822	DF85100	AF60871	UL603880	LL603884	6040132 B700	NC603033
SH6013-032-L05	TP603032	PF613032	PF603032A	PF613032B	PF613032C	FD60821	DF8040T	AF60871	UL603880	LL603884	6030131 B700	NC603033
SH6023-032-M04	TP623032	PF603032	PF603032A	PF603032B	PF603032C	FD60821	DF8040 T	AF60871	UL603880	LL603884	6030131 B700	NC603033
SH6023-053-H04	TP623053	PF603052	PF603032A	PF604B33B	PF623053C	FD60822	DF85100	AF60871	UL603880	LL603884	6040132 B700	NC603033
SH6043-033-M04	TP643033	PF643033	PF603032A	PF603052B	PF603032C	FD60834	DF814BL	AF60871	UL603880	LL603884	6030131 B700	NC603033
SH6083-053-H04	TP603053	PF683053	PF603032A	PF683053B	PF603052C	FD60822	DF85100	AF60871	UL603880	LL603884	6040132 B700	NC603033
SH60B2-022-F02	TP6B3022	PF6B3022	PF603032A	PF603032B	PF6B3022C	FD60821	DF8040T	AF60870	UL603886	LL603884	6030131 B700	NC603033
SH60B3-022-L04	TP6B3022	PF6B3022	PF603032A	PF603032B	PF6B3022C	FD60821	DF8040T	AF60870	UL603880	LL603884	6030131 B700	NC603033
SH60C3-032-M04	TP6C3032										6039131 B700	NC603033

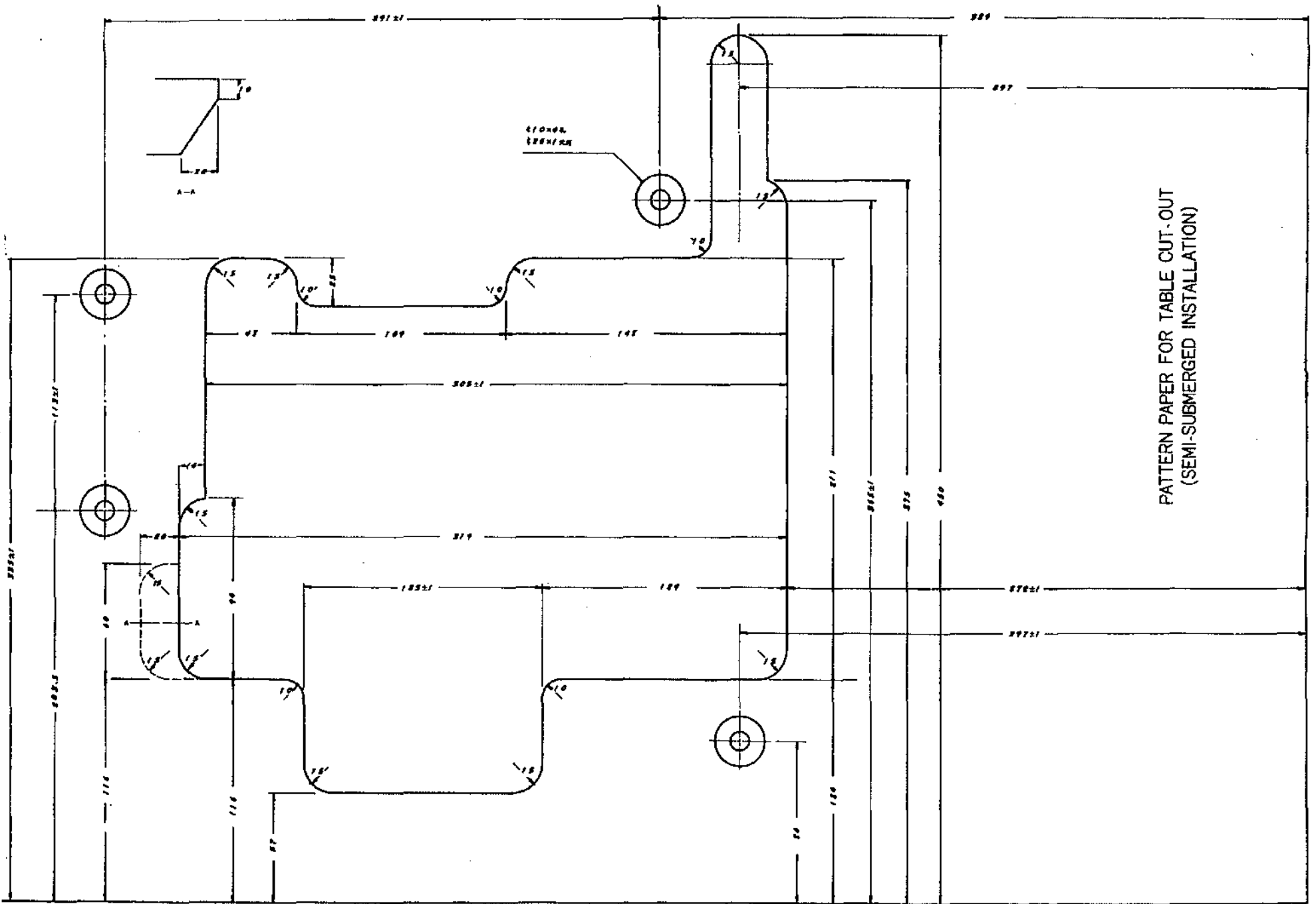
SH 6004

List of Main Spare Parts for SH 6004

Main Parts Models													
	Throat plate	Presser foot asm	Presser foot hinge	Presser foot	Stitch tongue	Main feed dog	Differential feed dog	Auxiliary feed dog	Needle clamp	Upper looper	Lower looper	Chip guard cover	Needle guide
SH6004-A32-M14	TP 604A32	PF604A32	PF603032A	PF604A32B	PF604A32C	FD 60971	DF814BE	AF 60871	NC604022	UL604883	LL603884	6040132 B700	NG604903
SH6004-A42-M14	TP 604A42	PF604A32	PF603032A	PF604A32B	PF604A32C	FD 60971	DF814BE	AF60871	NC604022	UL604883	LL603884	6040132 B700	NG604903
SH6004-A33-M14	TP 604A33	PF604A32	PF603032A	PF604A33B	PF604A32C	FD 60824	DF86504	AF60871	NC604022	UL604883	LL603884	6040132 B700	NG604903
SH6004-A43-M14	TP 604A43	PF604A32	PF603032A	PF604A32B	PF604A32C	FD 60824	DF86504	AF 60871	NC604022	UL604883	LL603884	6040132 B700	NG604903
SH6004-A53-M14	TP 604A53	PF604A32	PF603032A	PF604A32B	PF604A32C	FD 60824	DF86504	AF60871	NC604022	UL604883	LL603884	6040132 B700	NG604903
SH6004-B33-M14	TP 604B33	PF604B33	PF603032A	PF604B33B	PF604B33C	FD 60825	DF90706	AF 60872	NC604026	UL604880	LL603884	6040132 B700	NG604904
SH6004-B53-H12	TP 604B53	PF604B33	PF603032A	PF604B33B	PF604B33C	FD 60825	DF90706	AF60872	NC604026	UL604880	LL603884	6040132 B700	NG604904
SH6024-A43-M14	TP 624A43	PF604A32	PF603032A	PF604A32B	PF604A32C	FD 60824	DF86504	AF 60871	NC604022	UL604883	LL603884	6040132 B700	NG604903
SH6044-A33-M14	TP 644A33	PF644A33	PF603032A	PF643033B	PF604A32C	FD 60834	DF814BL	AF 60871	NC604022	UL604883	LL603884	6040132 B700	NG604903
SH6064-A32-M14	TP 604A32	PF664A32	PF664A32A	PF664A32B		FD 60971	DF814BE	AF 60871	NC604022	UL604883	LL603884	6040132 B700	NG 604903
SH6074-A43-M14	TP 644A33	PF674A43	PF664A32A	PF664A32B		FD 60834	DF814BL	AF 60871	NC604022	UL604883	LL603884	6040132 B700	NG604903
SH6084-A43-H14	TP 604A43	PF684A43	PF683053A	PF683053B	PF604A32C	FD 60824	DF86504	AF60871	NC604022	UL604883	LL603884	6040132 B700	NG604903
SH6094-A43-M14	TP 694A43	PF694A43	PF603032A	PF694A43B	PF604A43C	FD 60824A	DF86504A	AF 60871	NC604022	UL604882	LL604885	6040132 B700	NG 604903
SH60D4-A32-M14	TP 6D4A32	PF6D4A32	PF664A32A	PF6D4A32B		FD 60971	DF814BE	AF60871	NC604022	UL604883	LL604884	6040132 B700	NG604903
SHG6094-A43-H14	TP 694A43	PF694A43	PF603032A	PF604A32B	PF604A32C	FD 60824A	DF86504A	AF 60871	NC604022	GUL604152	LL604885	6040132 B700	NG604903

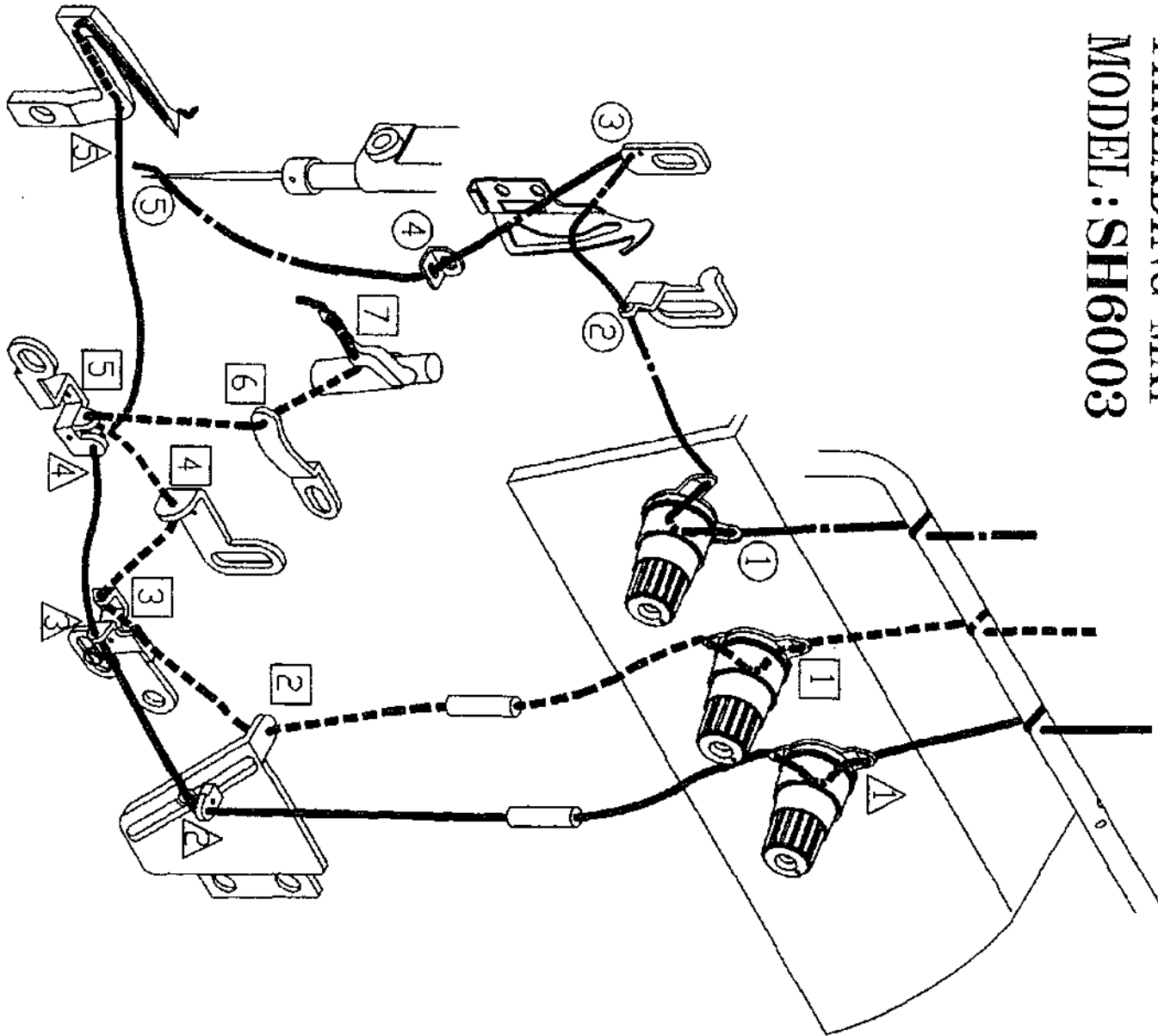
118-9065 907

Main Parts Models															
	Throat plate	Presser foot asm	Presser foot hinge	Presser foot	Rear presser foot	Main feed dog	Differential feeddog	Auxiliary feeddog	Needle clamp	Upper looper	Lower looper	Chip guard cover	Needle guide	Needle guide	Needle guide
SH6005-A32-M16	TP605A32	PF605A32	PF605A32A	PF605A32B	PF605A32C	FD60826	DF85209	AF60873	NC605020	UL603880	LL603884	6050133 B700	NG605905	NG605906	NG605907
SH6005-C32-M16	TP605C32	PF605C32	PF605A32A	PF605C32B	PF605C32C	FD60828	DF85209	AF60874	NC605032	UL603880	LL603884	6050133 B700	NG605905	NG605906	NG605907
SH6005-C52-M16	TP605C52	PF605C32	PF605A32A	PF605C32B	PF605C32C	FD60828	DF85209	AF60874	NC605032	UL603880	LL603884	6050134 B700	NG605905	NG605906	NG605907
SH6005-C62-M16	TP605C62	PF605C32	PF605A32A	PF605C32B	PF605C32C	FD60828	DF85209	AF60874	NC605032	UL603880	LL603884	6050134 B700	NG605905	NG605906	NG605907
SH6005-C53-M16	TP605C53	PF605C32	PF605A32A	PF605C32B	PF605C32C	FD60840	DF86009	AF60874	NC605032	UL603880	LL603884	6050134 B700	NG605905	NG605906	NG605907
SH6005-D53-L16	TP605D53	PF605D53	PF605D53A	PF605D53B	PF605D53C	FD60840	DF86009	AF60874	NC605048	UL603880	LL603884	6050134 B700	NG605905	NG605906	NG605907
SH6005-D53-H16	TP605D53	PF605D53	PF605D53A	PF605D53B	PF605D53C	FD60830	DF85407	AF60873	NC605048	UL603880	LL603884	6050134 B700	NG605905	NG605906	NG605907
SH6005-D63-H16	TP605D63	PF605D53	PF605D53A	PF605D53B	PF605D53C	FD60830	DF85407	AF60873	NC605048	UL604880	LL603884	6050134 B700	NG605905	NG605906	NG605907
SH6045-D53-M16	TP645D53	PF645D53	PF605D53A	PF645D53B	PF605D53C	FD60841	DF85902	AF60874	NC605048	UL603880	LL603884	6050134 B700	NG605905	NG605906	NG816FC
SH6045-C53-M16	TP605C53	PF645C53	PF605A32A	PF645C53B	PF605C32C	FD60841	DF85902	AF60874	NC605032	UL603880	LL603884	6050134 B700	NG605905	NG605906	NG605907
SH6055-C32-M16	TP655C32	PF655C32	PF605A32A	PF655C32B	PF605C32C	FD60828	DF85209A	AF60874	NC605032	UL603880	LL603884	6050133 B700	NG605905	NG605906	NG605907
SH6065-C32-M16	TP605C32	PF665C32	PF665C32A	PF665C32B		FD60828	DF85209	AF60874	NC605032	UL603880	LL603884	6050133 B700	NG605905	NG605906	NG605907
SH6075-C53-M16	TP605C53	PF675C53	PF665C32A	PF665C32B		FD60841	DF85902	AF60874	NC605032	UL603880	LL603884	6050134 B700	NG605905	NG605906	NG605907
SH6034-D03-M45	TP634D03	PF634D03	PF634D03A	PF634D03B		FD60842	DF86108	AF60875	NC605048			BD0133 B700	NG605905	NG605910	NG816FC
SH6006-CA33-M43	TP606CA3	PF606CA3	PF605A32A	PF606CA3B	PF606CA3C	FD60840	DF86009	AF60874	NC606032	UL604883	LL603884	6050134 B700	NG605905	NG605908	NG605907
SH6006-DA33-M43	TP606DA3	PF606DA3	PF605D53A	PF606CA3B	PF606DA3C	FD60840	DF86009	AF60874	NC606048	UL604883	LL603884	6050134 B700	NG605905	NG605908	NG605907
SH6005-D53-H16	GTP605D63	GPF605D63	GPF605D63A	GPF605D63B	GPF605D63C	FD60283	DF28403	AF60876	GNC605048	GUL605150	LL603884	6050134 B700	NG605905	NG605906	NG605907

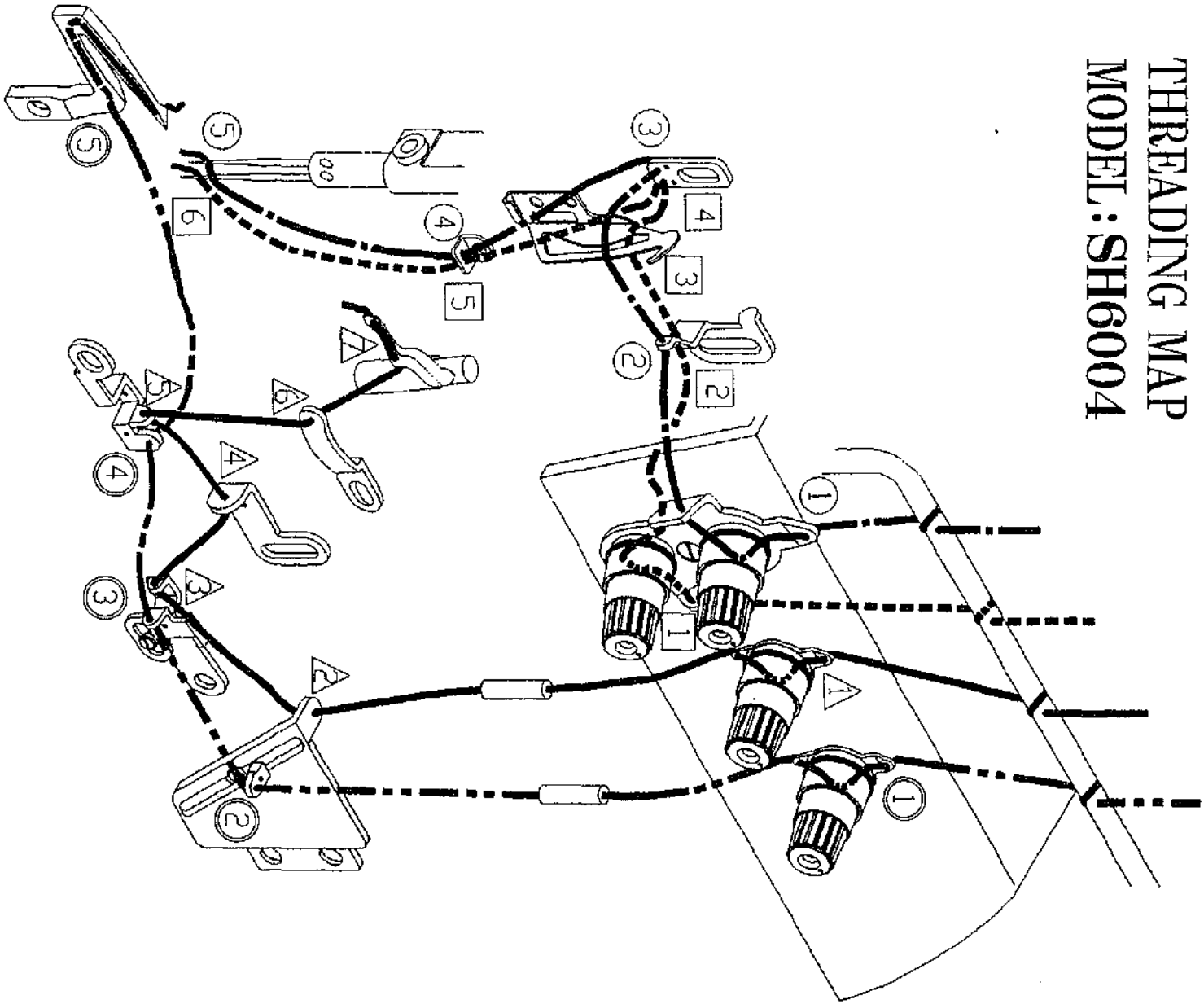


PATTERN PAPER FOR TABLE CUT-OUT
(SEMI-SUBMERGED INSTALLATION)

THREADING MAP
MODEL: SH6003



THREADING MAP MODEL: SH6004



**THREADING MAP
MODEL: SH6005**

