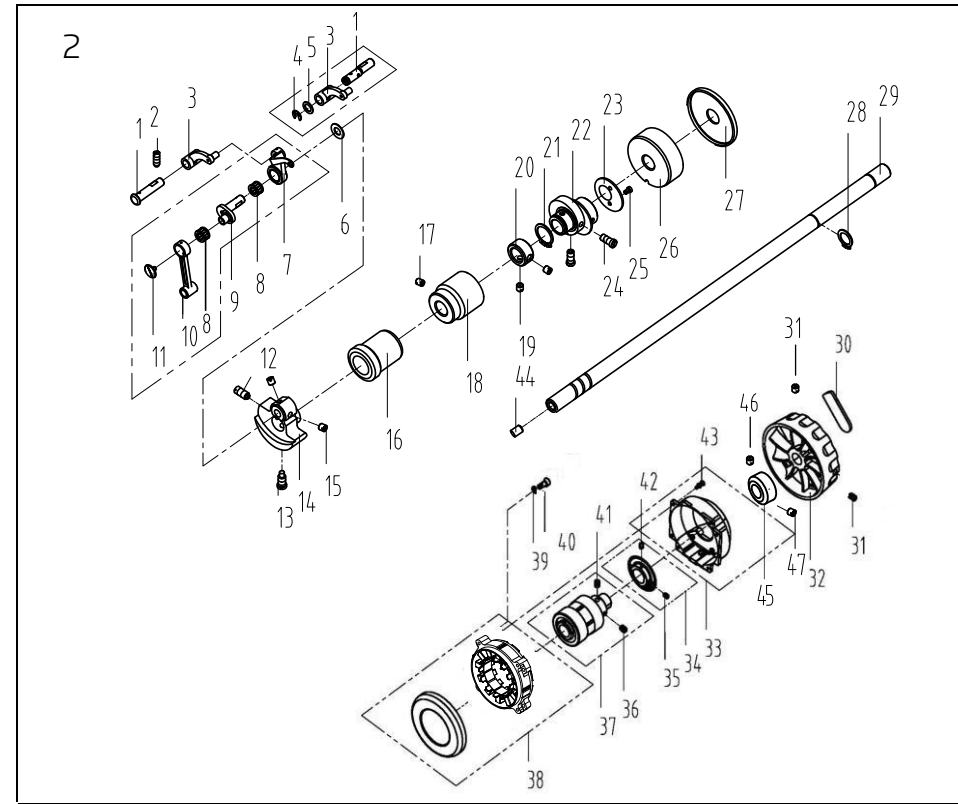


1. 机壳、外装分组件/Machine Frame & Miscellaneous Cover Components

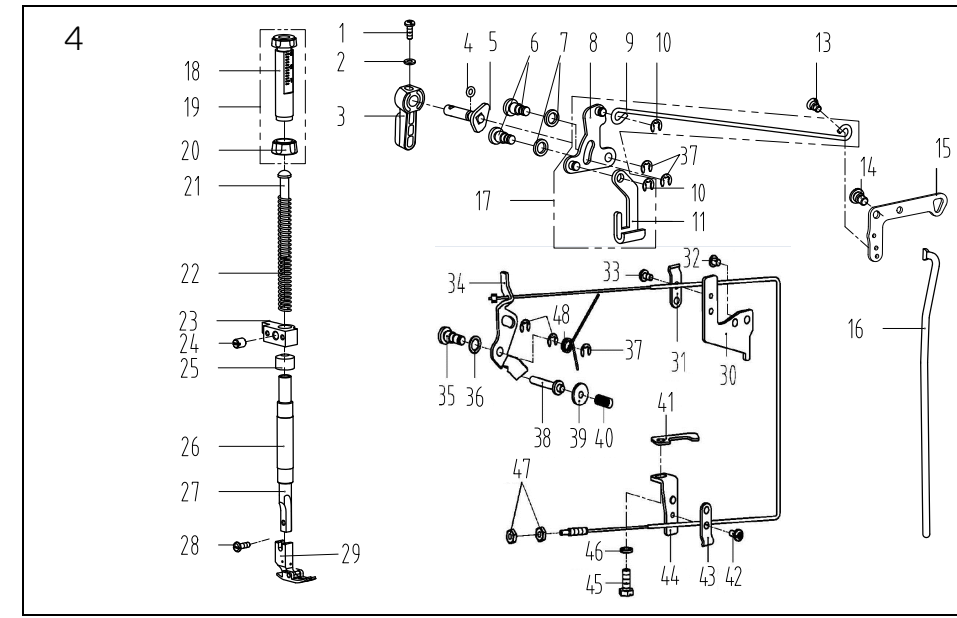
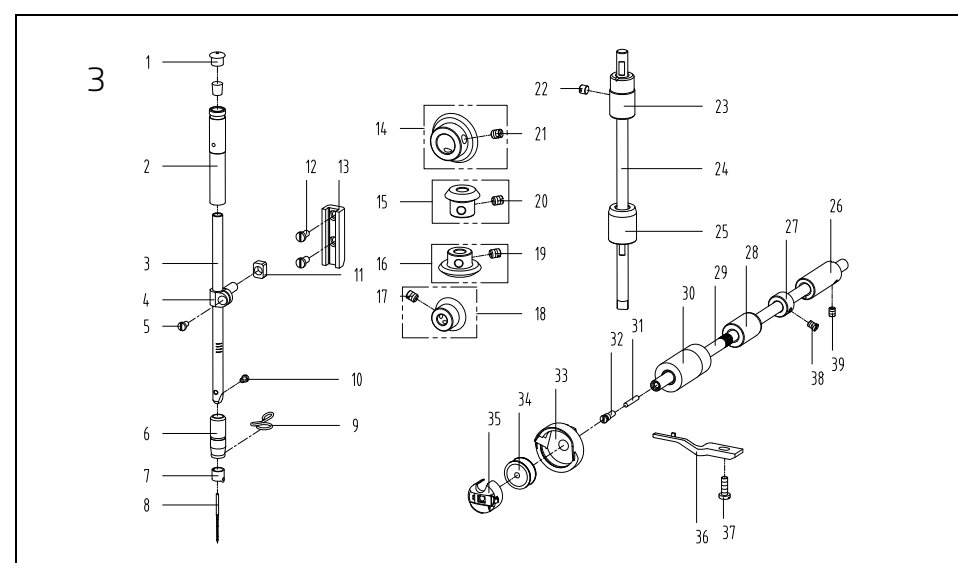
序号NO.	公司件号	Part NO.	名称	PartName	零件描述	Description	数量	Number
1	10151001		后面板螺钉SM3/16*28 L=9	Screw SM3/16*28 L=9			3	3
2	10120003		面板调节孔螺塞	Rubber plug			2	2
3	13837002		橡胶垫	Rubber pad			1	1
4	302893		橡胶圈	Rubber ring			1	1
5	13819005		面板(喷漆)	Face plate asm			1	1
6	10151007		右线板螺钉SM1/16*4*4 L=6	Screw SM1/16*4*4 L=6			1	1
7	10122114		面板板	Face plate gasket			1	1
8	10151027		防进板螺钉SM1/8*44 L=3.4	Screw SM1/8*44 L=3.4			1	1
9	10412007		面部防油板	Face oil shield asm			1	1
10	1142082		面部防油板(厚料)	Face oil shield asm			1	1
11	10123002		针杆上毡套	Rubber plug			1	1
12	10120013		针杆上毡套孔塞	Rubber plug			1	1
13	10120005		挑线连杆销螺塞	Rubber plug			1	1
14	10120004		针杆由柄螺塞	Rubber plug			1	1
15	10151004		挑线杆护罩螺钉SM3/16*28 L=7	Screw SM3/16*28 L=7	Thread take-up lever cover Screw		1	1
16	13812018		挑线杆护罩螺钉SM3/16*28 L=7	Screw SM3/16*28 L=7	Thread take-up lever cover Screw		1	1
17	10151004		挑线杆护罩螺钉SM3/16*28 L=7	Screw SM3/16*28 L=7	Thread take-up lever cover Screw		1	1
18	10120005		挑线杆销螺塞	Rubber plug			1	1
19	11451015		割线刀	Knife			2	2
20	11490001		侧板	Rubber plug			1	1
21	20722002		侧板	Rubber plug			1	1
22	10122113		后面板垫	Side plate gasket			1	1
23	302892		后面板(喷漆)	Side plate			1	1
24	10151001		后面板螺钉SM3/16*28 L=9	Screw SM3/16*28 L=9			1	1
25	114530001		螺栓(内六角)	MSx25			1	1
26	11451001		直驱电机螺钉M5x20	Screw M5x20			3	3
27	1013049		A2S一体电控(前置)	Electronic control box			1	1
28	10233005		A2S一体电控(后部)	Electronic control box			1	1
29	10233007		A2S一体电控(侧部)	Electronic control box			1	1
30	10120009		送料调节孔螺塞	Rubber plug			1	1
31	10120007		下轴调节孔螺塞	Rubber plug			1	1
32	10152001		底板支柱	Machine head stud Electronic			4	4
33	1381304000		小夹线器组件	Thread tension asm			1	1
34	1381561019		小夹线器螺母	Thread tension nut			1	1
35	11227001		小夹线器弹簧	Thread tension spring			1	1
36	11220004		小夹线板	Thread tension disk			2	2
37	13813056		小夹线器螺栓	Thread tension post			1	1
38	13810008		小夹线器固定螺钉SM3/16*28 L=7	Screw SM3/16*28 L=7	Thread tension guide plate		1	1
39	13810008		小夹线器固定螺钉SM3/16*28 L=7	Screw SM3/16*28 L=7	Thread tension guide plate		1	1
40	10151006		右线勾螺钉SM1/16*4*4 L=6	Screw SM1/16*4*4 L=6			1	1
41	10151006		螺钉SM1/16*4*4 L=6	Screw SM1/16*4*4 L=6			1	1
42	11326012		松线钉	Tension release pin			1	1
43	10120014		挑线簧调节O型圈	Rubber ring			1	1
44	10151005		挑线簧	Screw SM9/64*40 L=5.5			1	1
45	10127001		挑线簧	Thread take-up spring			1	1
46	10120014		挑线簧(厚料)	Thread take-up spring			1	1
47	10120014		挑线簧(厚料)	Thread take-up spring			1	1
48	1381561013		挑线簧(厚料)	Thread take-up spring			1	1
49	10127002		挑线簧(厚料)	Thread take-up spring			1	1
50	11427050		挑线簧(厚料)	Thread take-up spring			1	1
51	10120014		挑线簧(厚料)	Thread take-up spring			1	1
52	1381561013		挑线簧(厚料)	Thread take-up spring			1	1
53	10130011		挑线簧(厚料)	Thread take-up spring			1	1
54	10130011		挑线簧(厚料)	Thread take-up spring			1	1
55	10130011		挑线簧(厚料)	Thread take-up spring			1	1
56	10130011		挑线簧(厚料)	Thread take-up spring			1	1
57	10130011		挑线簧(厚料)	Thread take-up spring			1	1
58	10130011		挑线簧(厚料)	Thread take-up spring			1	1
59	10150002		挑线簧(厚料)	Thread take-up spring			1	1
60	10127009		挑线簧(厚料)	Thread take-up spring			1	1
61	10151019		挑线簧(厚料)	Thread take-up spring			1	1
62	10120013		挑线簧(厚料)	Thread take-up spring			1	1
63	11222001		挑线簧(厚料)	Thread take-up spring			1	1
64	114530018		挑线簧(厚料)	Thread take-up spring			1	1
65	114530018		挑线簧(厚料)	Thread take-up spring			1	1
66	102300200		挑线簧(厚料)	Thread take-up spring			1	1
67	10120008		挑线簧(厚料)	Thread take-up spring			1	1

## 零件手册 Parts Manual



2. 上轴挑线分组件/Main Shaft & Thread Take-up Components

序号NO.	公司件号	Part NO.	名称	PartName	零件描述	Description	数量	Number
1	11326013		挑线连杆销	Thread take-up connecting rod pin			1	1
2	10126001		挑线连杆销(厚料)	Thread take-up connecting rod pin			1	1
3	11326010		挑线连杆销(-7)	Thread take-up connecting rod pin			1	1
4	10151001		上轴螺钉 SM15/64*28 L=15	Screw SM15/64*28 L=15			1	1
5	10150501		挑线连杆(厚料)	Thread take-up connecting rod			1	1
6	10150501		挑线连杆	Thread take-up connecting rod			1	1
7	10120103		挑线连杆	Thread take-up connecting rod			1	1
8	10120103		挑线连杆	Thread take-up connecting rod			1	1
9	10120103		挑线连杆	Thread take-up connecting rod			1	1
10	10120103		挑线连杆	Thread take-up connecting rod			1	1
11	10120103		挑线连杆	Thread take-up connecting rod			1	1
12	10120103		挑线连杆	Thread take-up connecting rod			1	1
13	10120103		挑线连杆	Thread take-up connecting rod			1	1
14	10120103		挑线连杆	Thread take-up connecting rod			1	1
15	10120103		挑线连杆	Thread take-up connecting rod			1	1
16	10120103		挑线连杆	Thread take-up connecting rod			1	1
17	10120103		挑线连杆	Thread take-up connecting rod			1	1
18	10120103		挑线连杆	Thread take-up connecting rod			1	1
19	10120103		挑线连杆	Thread take-up connecting rod			1	1
20	10120103		挑线连杆	Thread take-up connecting rod			1	1
21	10120103		挑线连杆	Thread take-up connecting rod			1	1
22	10120103		挑线连杆	Thread take-up connecting rod			1	1
23	10120103		挑线连杆	Thread take-up connecting rod			1	1
24	10120103		挑线连杆	Thread take-up connecting rod			1	1
25	10120103		挑线连杆	Thread take-up connecting rod			1	1
26	10120103		挑线连杆	Thread take-up connecting rod			1	1
27	10120103		挑线连杆	Thread take-up connecting rod			1	1
28	10120103		挑线连杆	Thread take-up connecting rod			1	1
29	10120103		挑线连杆	Thread take-up connecting rod			1	1
30	10120103		挑线连杆	Thread take-up connecting rod			1	1
31	10120103		挑线连杆	Thread take-up connecting rod			1	1
32	10120103		挑线连杆	Thread take-up connecting rod			1	1
33	10120103		挑线连杆	Thread take-up connecting rod			1	1
34	10120103		挑线连杆	Thread take-up connecting rod			1	1
35	10120103		挑线连杆	Thread take-up connecting rod			1	1
36	10120103		挑线连杆	Thread take-up connecting rod			1	1
37	10120103		挑线连杆	Thread take-up connecting rod			1	1
38	10120103		挑线连杆	Thread take-up connecting rod			1	1
39	10120103		挑线连杆	Thread take-up connecting rod			1	1
40	10120103		挑线连杆	Thread take-up connecting rod			1	1
41	10120103		挑线连杆	Thread take-up connecting rod			1	1
42	10120103		挑线连杆	Thread take-up connecting rod			1	1
43	10120103		挑线连杆	Thread take-up connecting rod			1	1
44	10120103		挑线连杆	Thread take-up connecting rod			1	1
45	10120103		挑线连杆	Thread take-up connecting rod			1	1
46	10120103		挑线连杆	Thread take-up connecting rod			1	1
47	10120103		挑线连杆	Thread take-up connecting rod			1	1
48	10120103		挑线连杆	Thread take-up connecting rod			1	1



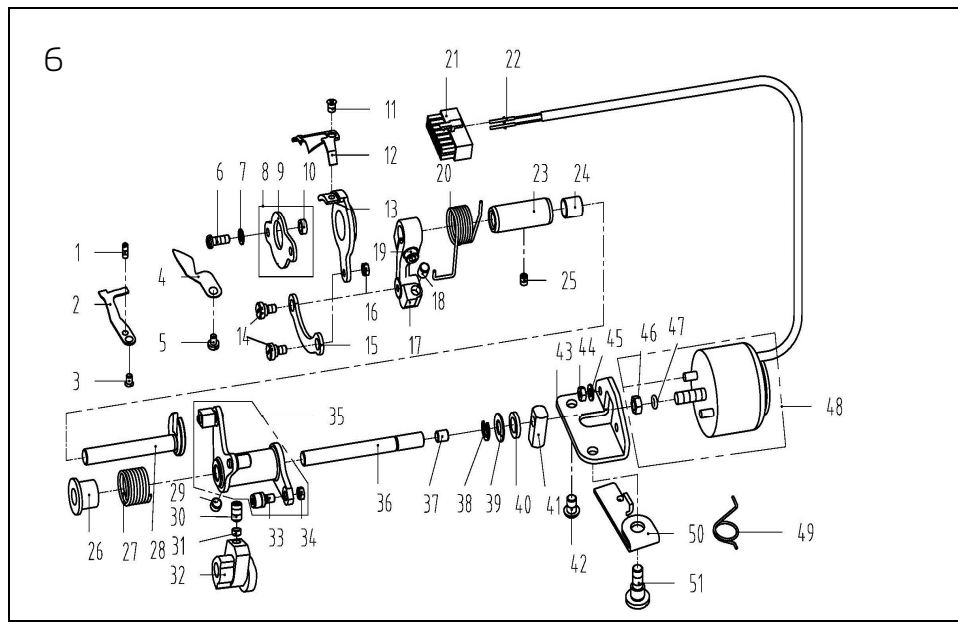
4. 压料分组件/Presser Bar Components

序号NO.	公司件号	Part NO.	名称	PartName	零件描述	Description	数量	Number
1	10151010		压脚螺钉SM9/64*40 L=11	Screw SM9/64*40 L=11			1	1
2	10128002		压脚板手螺钉轴套	Washer			1	1
3	1381029		压脚板手	Hand lifter			1	1
4	010104		O型圈	Rubber ring			1	1
5	101000200		压脚板手凸轮分组件	Hand lifter cam asm			1	1
6	101520001		前杆杆螺帽	Washer			2	2
7	10128015		螺栓销橡胶垫圈(厚)	Screw			2	2
8	10120100		抬压脚前杆杆分组件	Lift front lever component			1	1
9	10120103		抬压脚拉杆	Knee lifter pull rod			1	1
10	H05003		抬压脚拉杆	GB/T896-1986挡圈 5			2	2
11	1012010		压脚升降板	Lifting plate			1	1
13	101520004		抬压脚拉杆螺钉SM3/16*32	Hinge Screw SM3/16*32			1	1
14	101520003		后杆杆轴位螺钉SM15/64*28	Hinge screw SM15/64*28			1	1
15	11312034		抬压脚后杆	Knee lifter back lever			1	1
16	1012015		抬压脚后杆	Knee lifter connecting rod			1	1
17	10120100		抬压脚后杆分组件	Knee lifter lever asm			1	1
18	1381027		调压螺钉	Press regulating screw			1	1
19	138102700		调压螺钉分组件	Press regulating screw nut asm			1	1
20	1381028		调压螺钉	Press regulating nut			1	1
21	10102003		调压螺钉	Press regulating guide bar			1	1
22	11427033		调压螺钉	Press regulating spring			1	1
23	10409001		压脚导架	Presser bar guide bracket			1	1
24	10151007		压脚导架螺钉 SM1/4*40 L=8	Screw SM1/4*40 L=8			1	1
25	1012112		压脚导架	Pressure bar oil cover			1	1
26	10130132		压脚导架	Presser bar bushing/lower			1	1
27	10120004		压脚导架	Presser bar			1	1
28	10151009		压脚导架	Presser foot asm			1	1
29	113160600		压脚导架	Presser foot asm			1	1
30	113160100		压脚导架	Presser foot asm			1	1
31	11210019		压脚导架	Wire release bracket upper			1	1
32	11210008		压脚导架	Wire release press plate			1	1
33	10151033		压脚导架	Screw SM15/64*28 L=5.8			1	1
34	11310004		压脚导架	Screw M4x8			1	1
35	1141206000		压脚导架	Knee lifter lever asm			1	1
36	101520002		压脚导架	Wire release plate pin			1	1
37	10120016		压脚导架	Needle bar crank			1	1
38	10120003		压脚导架	Needle bar crank			1	1
39	10128001		压脚导架	Needle bar crank			1	1
40	10120003		压脚导架	Needle bar crank			1	1
41	10120022		压脚导架	Needle bar crank			1	1
42	11310004		压脚导架	Needle bar crank			1	1
43	11210008		压脚导架	Needle bar crank			1	1
44	11310001		压脚导架	Needle bar crank			1	1
45	116330003		压脚导架	Needle bar crank			1	1
46	1020004		压脚导架	Needle bar crank			1	1
47	11312001		压脚导架	Needle bar crank			2	2
48	11427009		压脚导架	Needle bar crank			1	1

3. 针杆、竖轴、下轴部件/Needle bar,Upright Shaft & Hook Driving Shaft Components

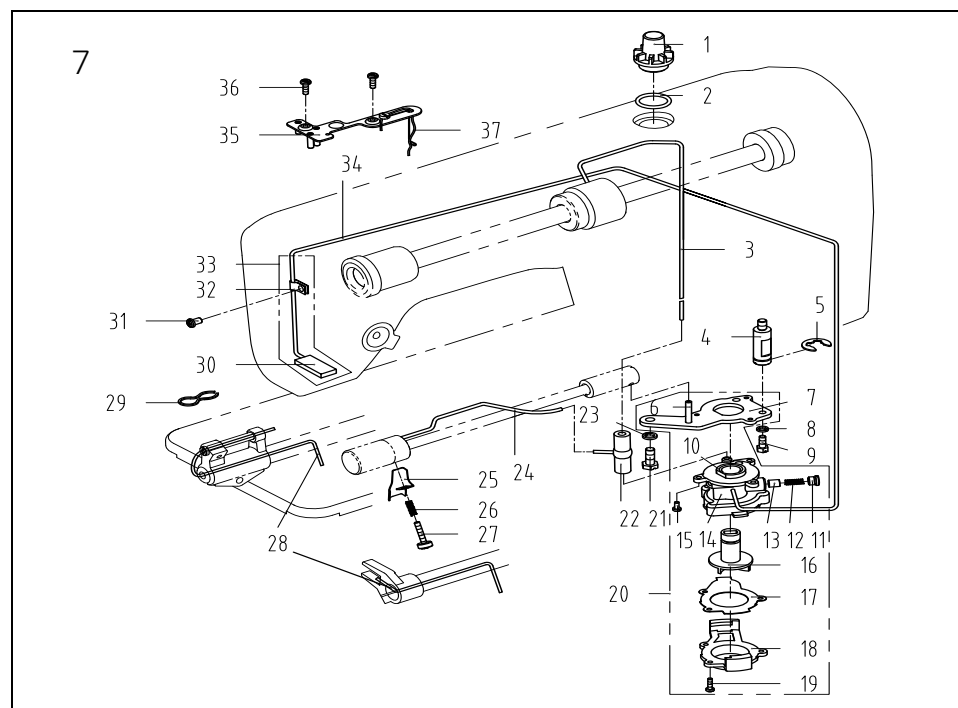
序号NO.	公司件号	Part NO.	名称</
-------	------	----------	------





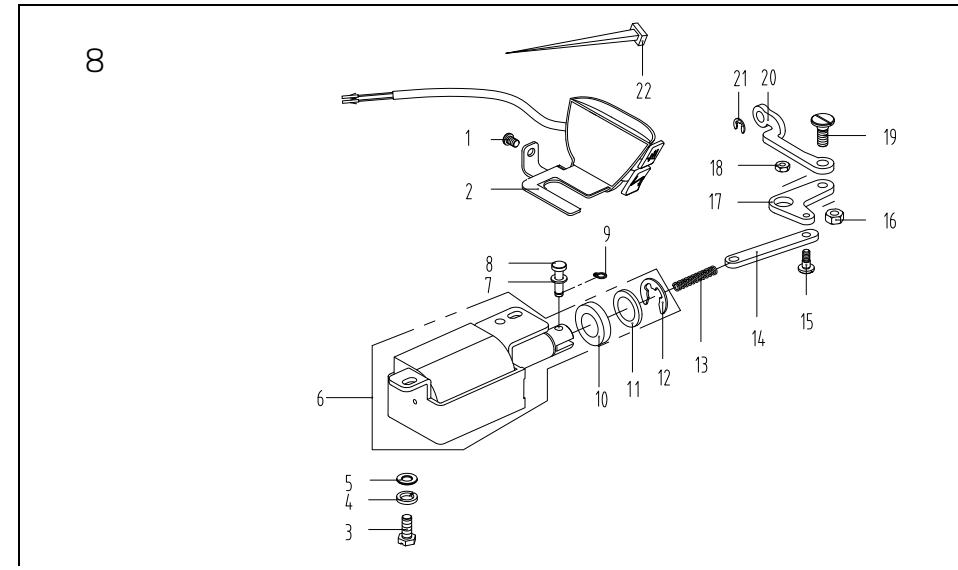
### 6. 切线装置部件/Thread Trimmer Components

序号NO	公司件号	Part NO.	名称	PartName	零件描述	Description	数量	Number
1	113515002		定刀调节螺钉SM1/8"x4 L=9.5	Screw SM1/8"x4 L=9.5			1	1
2	11319001		定刀	Serant knife			1	1
3	11357001		螺钉SM9/64"x40	Screw SM9/64"x40			1	1
4	11312003		护针片	Needle guard patch			1	1
5	20151009		螺钉SM9/64"x40 L=5.5	Screw SM9/64"x40 L=5.5			1	1
6	113511001		螺钉SM11/64"x40 L=12	Screw SM11/64"x40 L=12			2	2
7	10128003		牙架压板垫圈	Washer			2	2
8	11312004		刀架压板组件	Knife bracket press component			1	1
9	11312032		偏心连杆	Eccentric connecting rod			1	1
10	11303012		短套	Short bushing			2	2
11	11357002		活动刀固定螺钉SM11/64"x40 L=4.4	Screw SM11/64"x40 L=4.4			2	2
12	11319002		活动刀(薄料长槽)	Moterial knife			1	1
13	11319003		活动刀(厚料长槽)	Moterial knife			1	1
14	11307001		剪线刀架	Knife bracket			1	1
15	113520001		连杆螺钉SM11/64"x40	hinge Screw SM11/64"x40			2	2
16	11312005		连杆	Connecting rod			1	1
17	114516004		螺母SM11/64"x40	Nut SM11/64"x40			1	1
18	11304001		曲柄	Crank			1	1
19	11322001		驱动曲柄止动块	Crank driver stopper block			1	1
20	505004		螺钉M5x14	Screw M5x14			1	1
21	11327001		弹簧	Spring			1	1
22	11320004		14孔接线器	Pin			1	1
23	11303003		切线轴套	Thread cutting shaft bushing			1	1
24	11503005		驱动曲柄轴衬套	Crank drive shaft bushing			1	1
25	113514002		螺钉SM11/64"x40 L=5.5	Screw SM11/64"x40 L=5.5			1	1
26	11322002		拉簧盖	Spring cover			1	1
27	11327002		弹簧	Spring			1	1
28	11304002		切线凸轮曲柄轴	Crank shaft			1	1
29	116514003		针杆曲柄固定螺钉SM1/4"x40 L=4.5	Screw SM1/4"x40 L=4.5			1	1
30	116514005		螺钉SM1/4"x40 L=10	Screw SM1/4"x40 L=10			2	2
31	11309030		凸轮顶柱	Push rod			2	2
32	11310004		凸轮	Cam			1	1
33	11310011		凸轮(厚料)	Cam			1	1
34	11324001		滚柱	Rolling pin			1	1
35	113516002		螺母SM11/64"x40	Nut SM11/64"x40			1	1
36	1130400500		剪线驱动组件	Thread trimmer drive asm.			1	1
37	11302002		轴	Shaft			1	1
38	11322001		驱动曲柄止动块	Positioning block			1	1
39	11320001		GB/T896-1986挡圈	Snap ring			1	1
40	11320003		针杆曲柄护板	Gunter weight protecting			1	1
41	11322003		电磁铁缓冲片	Solenoid cushion rubber			1	1
42	11309001		切线电磁铁顶销	Solenoid pin			1	1
43	11312006		油泵安装螺钉SM15/64"x28 L=9	Screw SM15/64"x28 L=9			1	1
44	11312006		切线磁铁支架	Solenoid bracket			1	1
45	11312006		螺母M4	Nut M4			2	2
46	11312006		垫圈	Washer			2	2
47	11312006		螺母SM1/4"x40	Nut SM1/4"x40			1	1
48	11312006		O型圈	O-ring			1	1
49	11312007		剪线电磁铁组件	Thread trimmer solenoid asm.			1	1
50	11327003		弹簧	Spring			1	1
51	11312007		松线架	Thread release bed			1	1
52	113520002		螺钉SM1/4"x28	Screw SM1/4"x28			1	1



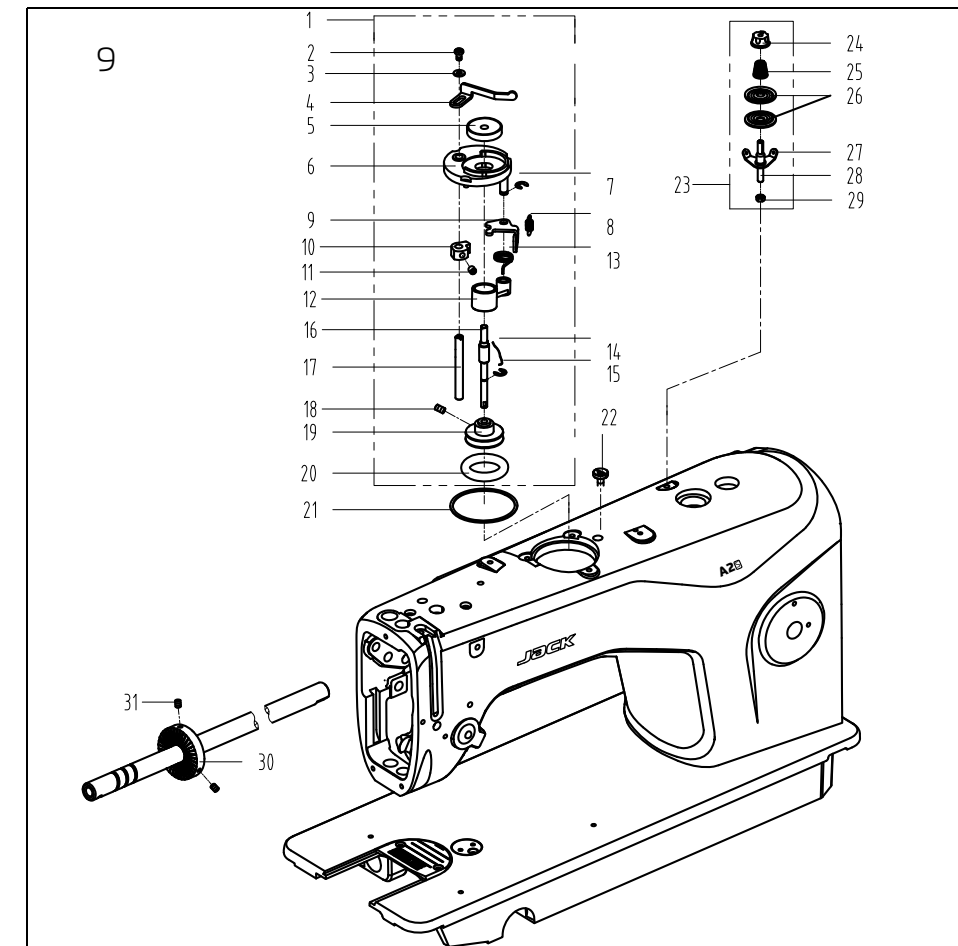
### 7. 润滑油/Oil Lubrication Components

序号NO	公司件号	Part NO.	名称	PartName	零件描述	Description	数量	Number
1	11211004		油窗	Oil sight window			1	1
2	11451008		油窗O形圈	Rubber ring			1	1
3	11420008		上轴供油管	Main shaft oil tube			1	1
4	112530005		油泵连接螺栓	Oil pump connecting stud			1	1
5	11292010		开口挡圈10	Snap ring 10			1	1
6	1012001		下轴供油管	Hook driving shaft oil tube			1	1
7	1012020		油泵安装板	Oil pump installing base			1	1
8	1012020		弹簧	Spring washer			1	1
9	20952001		压脚螺钉SM11/64 * x40 L=10.5	Screw SM11/64 * x40 L=10.5			1	1
10	10103022		油泵体衬套	Oil pump bushing			1	1
11	101530007		柱塞螺钉	Plunger Screw			1	1
12	10127013		柱塞簧	Plunger spring			1	1
13	10122018		回油柱套	Plunger			1	1
14	10120001		油泵体	Oil pump			1	1
15	504009		油泵螺钉	Screw			3	3
16	10111003		油泵叶轮	Oil pump impeller			1	1
17	1012021		油泵叶轮托板	Oil pump impeller cover			1	1
18	10111007		油泵盖	Lubricating oil pump cover			1	1
19	101530006		螺钉	Screw			3	3
20	101200100		油泵分部件	Lubricating oil pump component			1	1
21	116530003		拾牙叉固定螺钉SM15/64 * x28 L=14.5	Screw SM15/64 * x28 L=14.5			1	1
22	10136001		供油管接头	Rubber joint			1	1
23	10120004		GB/T193-1987弹垫M6	Spring Washer M6			1	1
24	11327002		供油管	Hook oil tube			1	1
25	11312031		挡油罩	Oil shield cover			1	1
26	11327004		油量调节螺钉弹簧	Spring			1	1
27	113530001		油量调节螺钉	Screw			1	1
28	10423005		油线	Oil wick			1	1
29	10127015		回油毡夹	Oil felt clamp			1	1
30	10123006		回油毡	Oil felt			1	1
31	10151004		挑线杆护罩螺钉SM3/16"x28 L=7	Screw SM3/16"x28 L=7			1	1
32	1012053		回油管夹	Oil tube clamp			1	1
33	10121007		回油管部件	Oil return tube component			1	1
34	10121008		回油管	Oil return tube			1	1
35	10112025		油线固定板	Oil wick fixing plate			1	1
36	10151010		压板手螺钉SM9/64"x40 L=11	Screw SM9/64"x40 L=11			2	2
37	10123010		油线	Oil wick			1	1



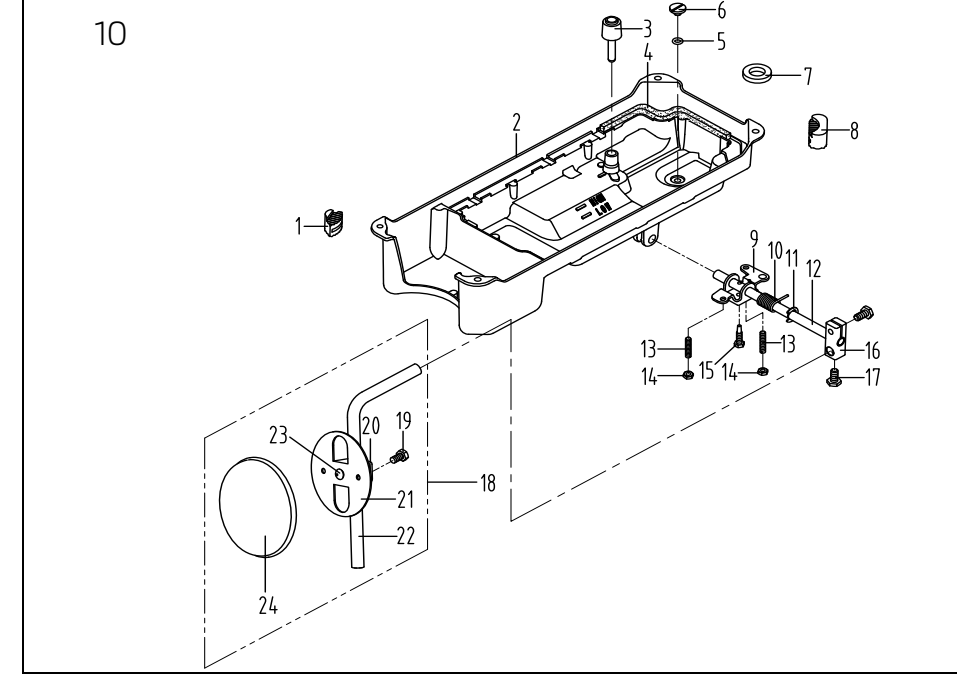
### 8. 自动倒送料开关组件/Automatic Reverse Feed Components

序号NO	公司件号	Part NO.	名称	PartName	零件描述	Description	数量	Number
1	10151004		挑线杆护罩螺钉SM3/16"x28 L=7	Screw SM3/16"x28 L=7			1	1
2	1383003700		双开关组件	Auto reverse feed switch asm			1	1
3	116530003		拾牙叉固定螺钉SM15/64"x28 L=14.5	Screw SM15/64"x28 L=14.5			2	2
4	1020004		GB/T193-1987弹垫M6	Spring washer M6			2	2
5	11628005		拾牙叉固定螺钉垫圈	Washer			2	2
6	1383003400		自动倒送料电磁铁	Auto reverse feed solenoid			1	1
7	101009		垫圈5	Washer 5			1	1
8	13826004		销子	pin			1	1
9	103042		挡圈5	snap ring 5			1	1
10	11322040		橡胶垫片	rubber plunger			1	1
11	11328031		垫片	Washer			1	1
12	1050104		GB/T896-1986开口挡圈	Snap ring			1	1
13	11227006		自动倒送料连杆弹簧	Plunger spring			1	1
14	11312009		自动倒送料连杆	Auto reverse feed connecting rod			1	1
15	112520002		曲柄螺钉SM11/64"x40	Hinge Screw SM11/64"x40			1	1
16	112516007		曲柄长螺母SM1/4"x28	Nut SM1/4"x28			1	1
17	11204003		自动倒送料曲柄	Auto reverse feed crank			1	1
18	112516008		曲柄短螺母SM11/64"x40	Nut SM11/64"x40			1	1
19	11250001		曲柄长螺钉 SM1/4"x28	Hinge Screw SM1/4"x28			1	1
20	11212029		自动倒送料拉杆	Auto reverse feed pull shaft Snap ring 5			1	1
21	11329020		开口挡圈5	ring 5			1	1
22	11211005		尼龙扎带	Cable band			8	8



### 9. 绕线器组件/ Bobbin Components

序号NO	公司件号	Part NO.	名称	PartName	零件描述	Description	数量	Number
1	1383103900		绕线器组件	Bobbin winder asm.			1	1
2	11451008		螺钉M4x6	Screw M4x6			1	1
3	GB/T197.1		垫圈4	Washer			1	1
4	1011030		压线控制板	Thread press control plate			1	1
5	1011120		绕线衬垫	Winding pad			1	1
6	1383101		绕线器装置底座	Bobbin winder bed			1	1
7	GB/T 896-1986		开口挡圈5	Snap ring			1	1
8	10127061		定位板拉簧	Regulating plate			1	1
9	1382710		调节板	Regulating plate			1	1
10	1011030		绕线凸轮	Bobbin winder cam			1	1
11	509042		螺钉	Screw			1	1
12	1380510600		绕线器连杆组件	Bobbin winder connecting rod			1	1
13	13827103		弹簧	Spring			1	1
14	10127060		弹簧	Spring			1	1
15	GB/T 896-1986		开口挡圈4	Snap ring			1	1
16	13802111		绕线器主轴	Bobbin winder main shaft			1	1
17	13802026		绕线凸轮轴	Bobbin winder cam shaft			1	1
18	509103		绕线轴螺母	Screw			2	2
19	1383102		螺钉	Screw			1	1
20	00110		O型圈	O-ring			1	1
21	11422062		螺钉SM3/16"x28 L=10	Screw SM3/16"x28 L=10			3	3
22	11451003		螺钉SM3/16"x28 L=10	Screw SM3/16"x28 L=10			1	1
23	1381300600		底线夹线器	Bobbin thread tension asm.			1	1
24	13811004		夹线螺母	Thread tension nut			1	1
25	11427006		弹簧	Spring			1	1
26	10112005		Thread tension disk	Thread tension disk			2	2
27	11413022		夹线过线板	Thread tension guide plate			1	1
28	11253004		夹线螺钉	Screw			1	1
29	114516001		螺母SM11/64"x40	Nut SM11/64"x40			1	1
30	11435013		绕线器驱动轮	Driving wheel			1	1
31	510009		螺钉M6x8	Screw M6x8			2	2



### 10. 油盘、膝抬压脚组件/Oil Reservoir, Knee Lifter Components

序号NO	公司件号	Part NO.	名称	PartName	零件描述	Description	数量	Number
1	10122022		油盘盖垫	Oil reservoir rubber cushion			2	2
2	10101006		油盘	Oil Reservoir			1	1
3	10110005		膝抬脚顶杆	Knee lifter push rod			1	1
4	10122020		油盘垫	Oil Reservoir gasket			1	1
5	10122021		O形圈	Rubber ring			1	1
6	10151028		排油孔螺钉SM5/16"x24 L=7	Screw SM5/16"x24 L=7			1	1
7	10131001		油盘磁铁	Oil reservoir magnet			1	1
8	10122023		油盘支架	Oil reservoir rubber cushion			2	2
9	10110207		拾压脚双向曲柄	Knee lifter crank			1	1
10	10127016		双向曲柄拉簧	Knee lifter spring			1	1
11	105010		GB/T896-1986挡圈10	Snap ring 10			1	1
12	10102011		拾压脚轴	Knee lifter shaft			1	1
13	10151012		双向曲柄限位调节螺钉M6 L=30	Screw M6 L=30			2	2
14	10151004		双向曲柄限位螺母 M6 L=4	Nut M6 L=4			2	2
15	10152002		双向曲柄螺钉M6 L=26	Screw M6 L=26			1	1
16	10101008		拾牙叉固定螺钉	Screw SM15/64"x28 L=14.5			1	1
17	10151003		螺母M8 L=16	Nut M8 L=16			1	1
18	101020800		螺钉M6 L=11	Screw M6 L=11			1	1
19	10151004		螺母M6 L=11	Nut M6 L=11			1	1
20	10102030		螺母M6 L=11	Nut M6 L=11				